



TECHNICAL SHEET



FLEXIZIPP

This roller blind is suitable for outdoor use, operated manually with a crank or motorized with a remote control. It is equipped with a box that protects the fabric and the internal mechanism. It also has a completely airtight seal. It can be used for residential or commercial purposes, providing protection from the sun, rain, and wind.

This enclosure is custom-made. The structure is made of anodized or powder-coated aluminum, and its cover can be acrylic canvas, textile mesh, clear PVC sheeting, or translucent or blackout PVC canvas. Depending on the client's specifications, it can be manufactured in different colors and the option of printing the brand's logo on it. The load-bearing bar design allows for the installation of 4.2 kg/ml steel bars to provide greater canvas tension in intermediate positions. This product can be free-standing or vertically guided and has two different locking systems at the bottom to prevent it from losing its tension when wind blows against it.

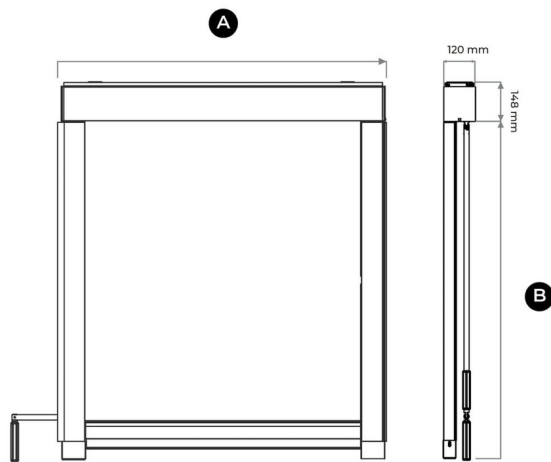
TECHNICAL CHARACTERISTICS

- Structure made of 6063-T5 aluminum profiles.
- Lacquered finish with electrostatic powder coating or anodized.
- Stainless steel screws and fasteners.- Wind resistance: 50 km/h.
- Sound insulation: 34 db.
- Thermal insulation: 6.5 w/m²k.
- Water resistance: class 2a.
- Screen materials: Clear, mesh, PVC canvas or acrylic canvas.



MODEL

GUIDE AND LOCKING SYSTEMS

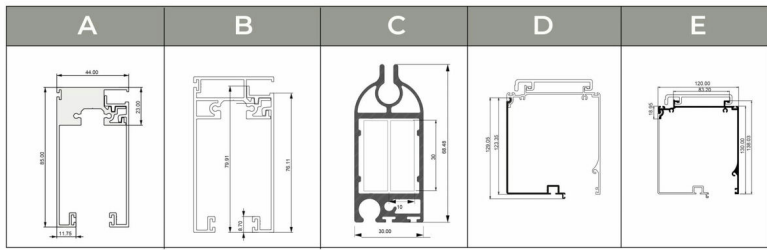


A) Width

B) Free height

These guide and locking systems are:

- 6 mm caliber wire guide.
- 10 mm diameter stainless steel round bar guide.
- Magnetic lock (in case the load bar comes loose, this works like a fuse that releases the tension, causing the canvas to form a sail-like wave, allowing the customer to roll it up without causing damage)
- Mechanical floor block, which allows the fabric to be tensioned. When winds exceed gusts of 50 km/h, its use is not recommended, as it can cause damage by dislodging the structure's anchors. This product may have wire guides, steel bars, or can be freely lowered.

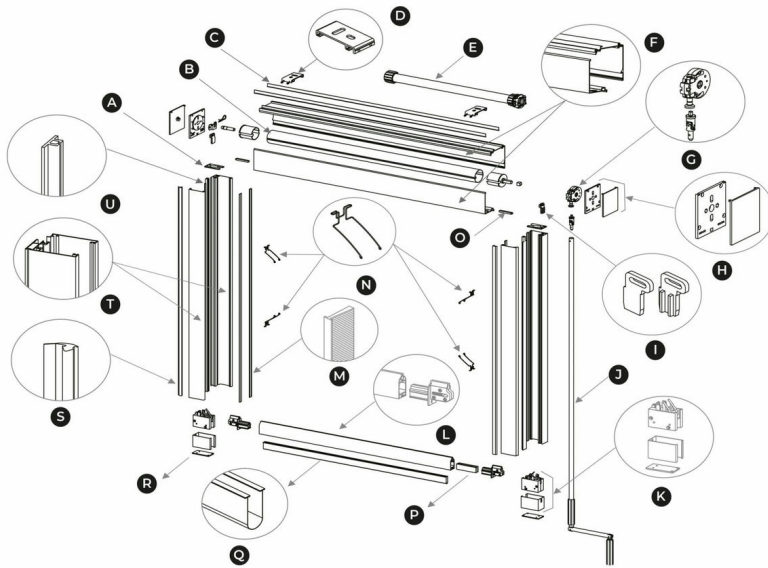


MATERIAL	TUBE	HEIGHT	BROAD
CLEAR	78	4 m	4,5 m
SCREEN	78	4 m	5 m
CLEAR	85	3,2 m	5,5 m
SCREEN	85	3,2 m	6 m

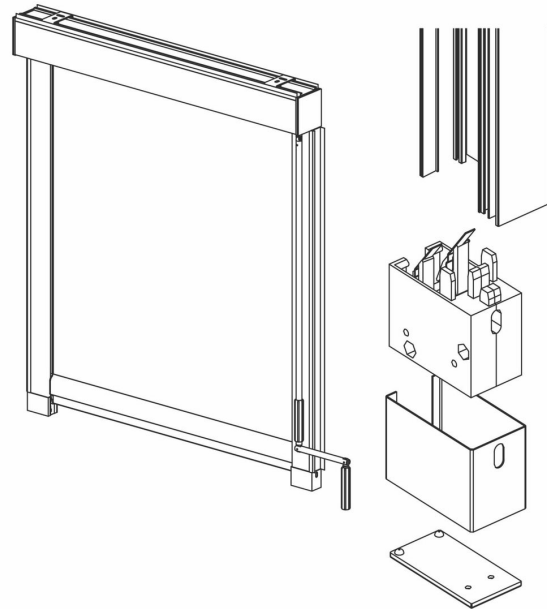
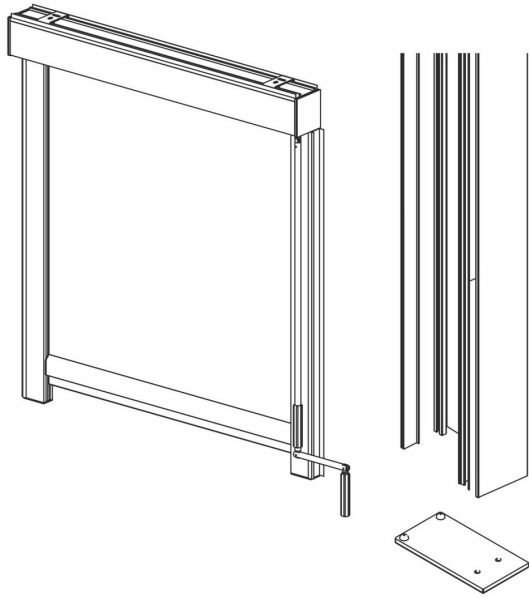
TO	VERTICAL GUIDE - 85 mm X 44mm X 23mm
B	VERTICAL GUIDE COVER -79 mm X 76mm X 87mm
C	OVERWEIGHT BAR -30 mm X 68 mm X 30mm
D	MOBILE CHEST COVER -129 mm X 123 mm X 30mm
AND	FIXED CHEST PROFILE -18 mm X 120 mm X 138 mm

The fabric of the canvas can be: transparent, Blackout or mixed, that is, a Blackout frame with a transparent window.

FLEXIZIPP EXPLOSION



TO	Side Guide - Top Cover
B	Ø78 and Ø85 tube
C	PVC top seal
D	Ceiling mount
AND	Electric motor
F	Chest 130x120
G	10/1mm 25 auger machine + magnetic kit
H	Motor Ear
Yo	Guide union plate
J	Crank
K	Automatic lock
L	Load Bar and Locking Guide
M	Brush
N	Zipper guide spring
EITHER	Union plate - chest lid
P	Steel counterweight bar
Q	PVC gasket
R	Bottom cover - Side guide
S	PVC side profile
T	Side Guides
OR	Zipper Guide



FLEXIZIPP

A

GUIDE	ACCESSORIES
GUIDE PROFILE	- CEILING FIXING OA - FRONT AND SIDE WALL - OVERWEIGHT BARS

ADVANTAGES

Easy installation on frames or porches, with side guides which give greater stability against wind.

FLEXIZIPP

B

GUIDE	ACCESSORIES
GUIDE PROFILE	- CEILING FIXING OA - FRONT AND SIDE WALL - AUTOMATIC LOCKING - OVERWEIGHT BARS

ADVANTAGES

Easy installation on frames or porches, with side guides, and our windbreak profile, specially designed to withstand strong gusts of wind.

FLEXIBOX **F**

GUIDE	ACCESSORIES
Guaya	- CEILING OR WALL FIXING - FRONT AND SIDE - FIXING TO LOWER WALL - OVERWEIGHT BARS

ADVANTAGES

Easy installation on different types of facades from the front, ideal for enclosing areas with normal wind currents.

FLEXIBOX **G**

GUIDE	ACCESSORIES
10 MM ROUND BAR	- CEILING OR WALL FIXING - FRONT AND SIDE - FIXING TO LOWER WALL - OVERWEIGHT BAR

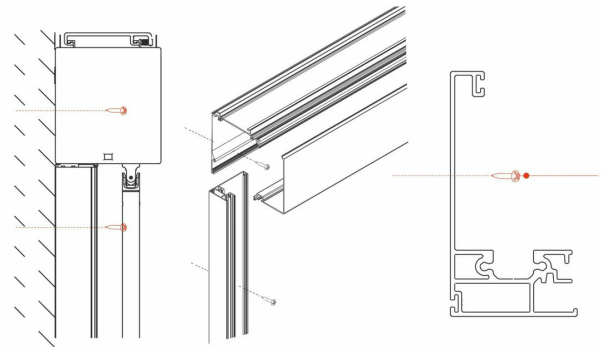
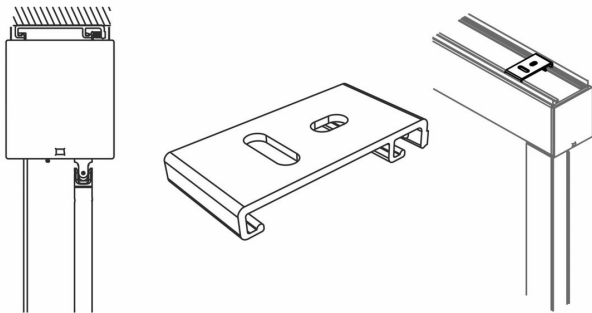


TYPES OF FASTENER

The Flexibox box can be fixed to the ceiling using the ceiling support kit, to the side of the Pergostar, Pergolam or other pergolas, to the front and side walls using the same side covers.

LOWER FIXING TO FACADE

FRONT FIXATION

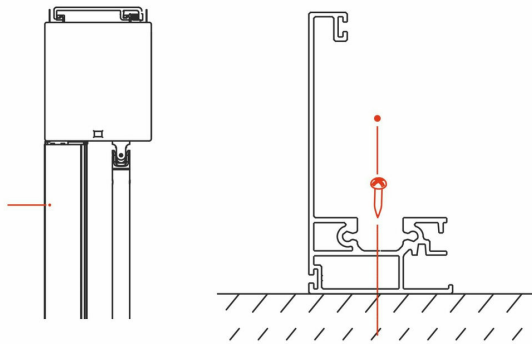


Flexizipp façade fixing support kit with anchor according to façade type.

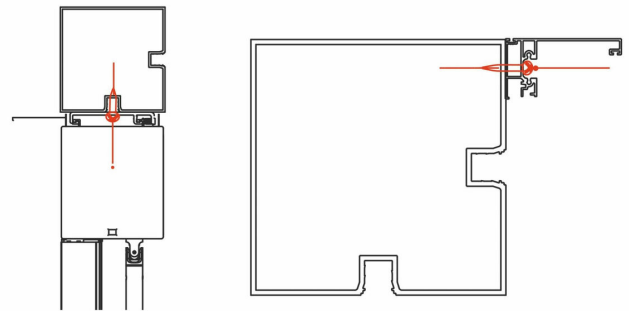
- Wood
- Concrete
- Metal

Threaded-sheet ceiling support kit; Machined guide profile for fixing to Pergostar, Pergodom, and Pergolam columns.

LATERAL FIXATION



FIXING TO PERGOLAS



Machining guide profile for front fixing

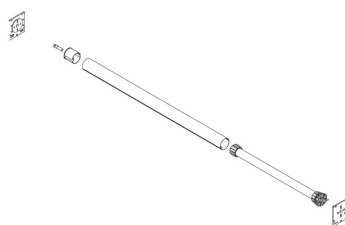
DRIVE

Flexizipp offers the option of having a motorized drive via remote control or, alternatively, through manual operation using a crank.

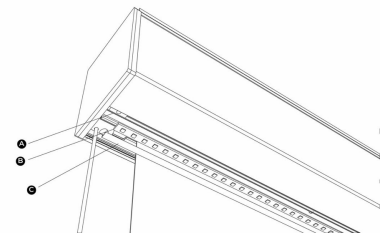
MANUAL OPERATION



MOTORIZED DRIVE



LIGHTNING



Flexizipp features a sophisticated white or RGB lighting system located at the bottom of the box, providing a light curtain that can backlight the chosen textile.

A) Trunk lid pin

B) LED strip

C) Diffuser profile