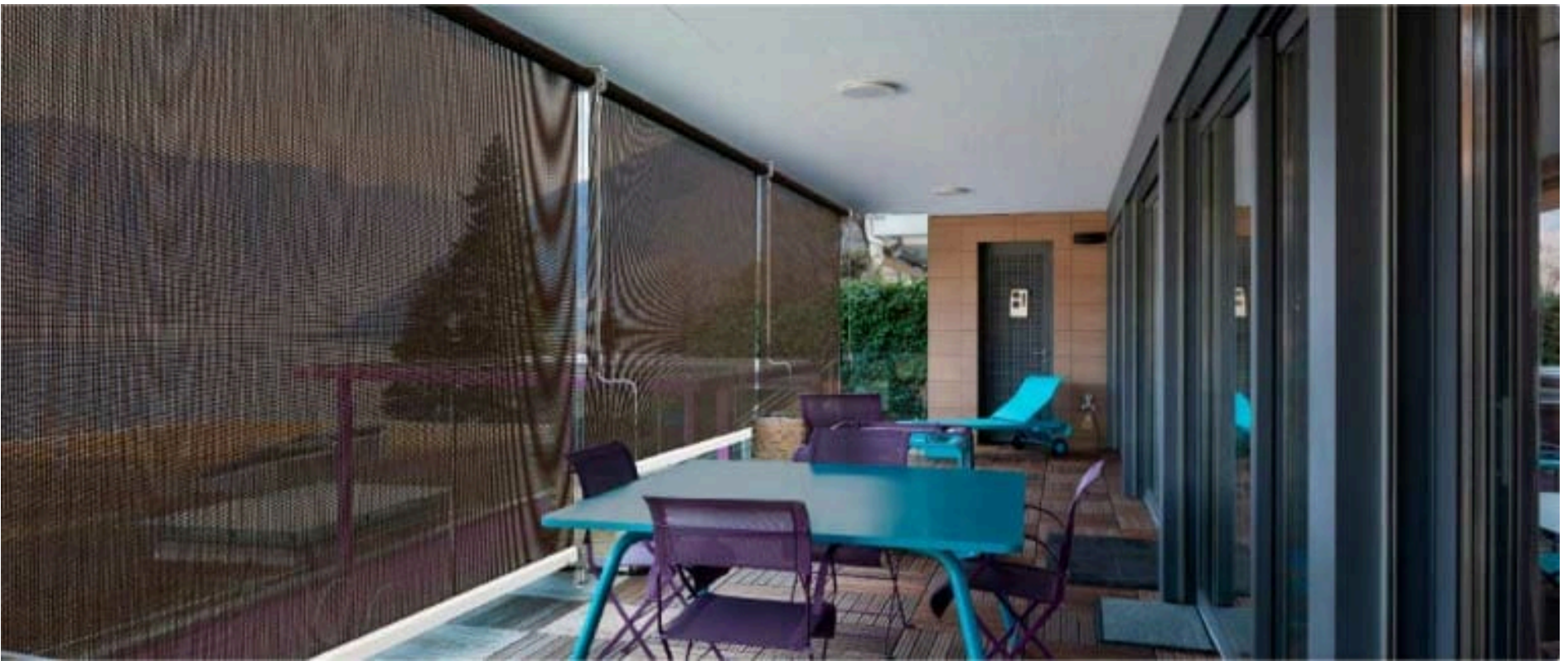






# TECHNICAL SHEET



## FLEXI

This is a roller blind for outdoor use, operated manually with a crank or motorized with a remote control; manufactured to the desired size, offering a high-specification product. It can be used for residential or commercial purposes, providing protection from the sun, rain, and wind. It can withstand speeds of up to 80 km/h.

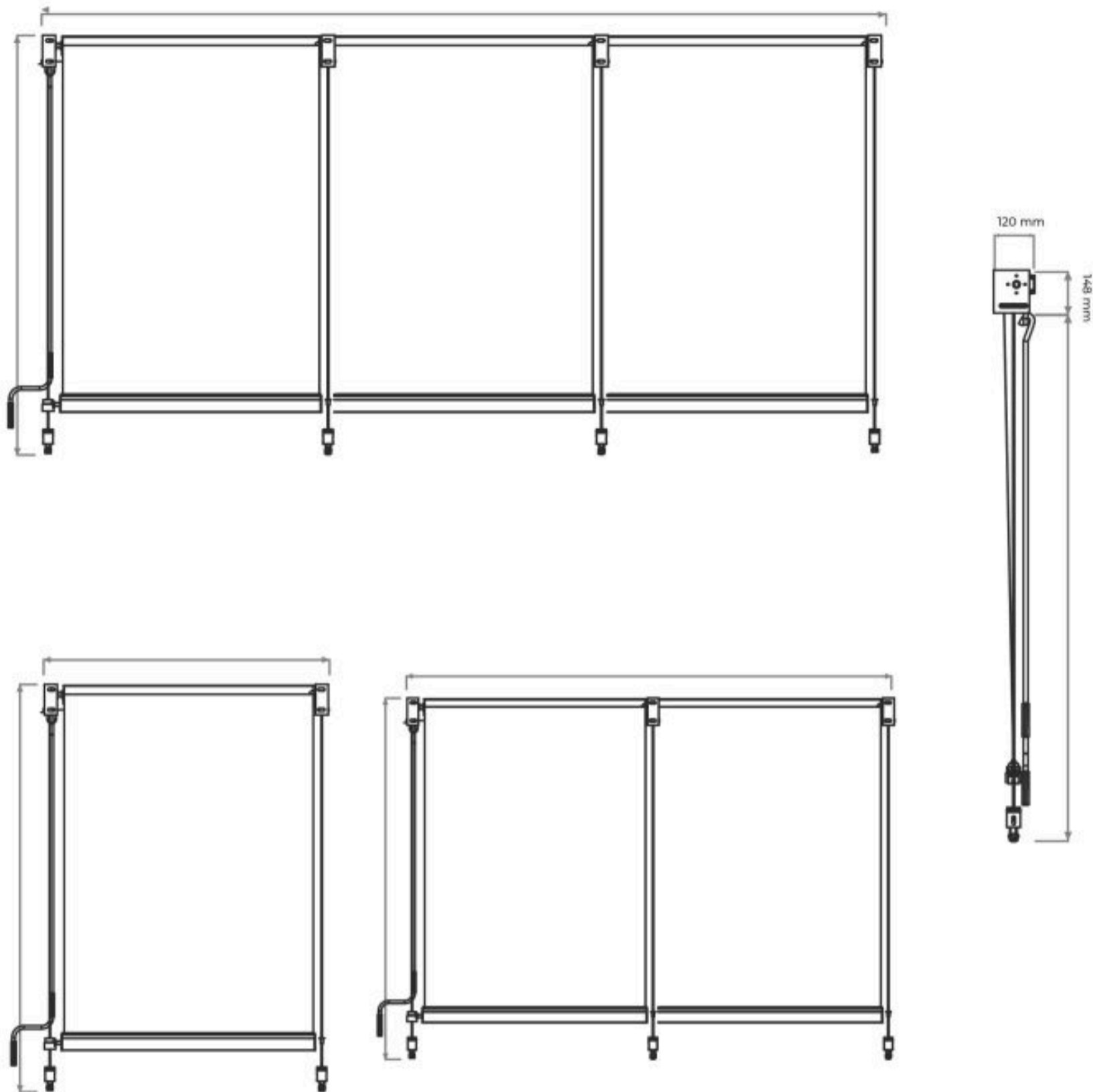
Its structure is made of anodized or electrostatically painted aluminum, and its cover can be made of acrylic canvas, textile mesh, clear PVC sheet, or translucent or blackout PVC canvas. Depending on the client's request, it can be manufactured in different colors and the option of stamping the brand on it. This product can be free-standing or guided vertically with two rail systems and two different locking systems at the bottom: a magnet or hooks on each side of the rail at the bottom, providing tension when fully extended to prevent it from coming loose when the wind blows. The load-bearing bar design allows for the installation of 4.2 kg/ml steel bars to provide greater canvas tension in intermediate positions.

---

### TECHNICAL CHARACTERISTICS

---

- Structure made of 6063-T5 aluminum profiles.
- Lacquered finish with electrostatic powder paint or anodized.
- Stainless steel screws and fasteners.
- Wind resistance: 35 km/h.
- Sound insulation: 34 db.
- Thermal insulation: 6.5 w/m<sup>2</sup>k.
- Water resistance: class 2a.
- Screen materials: Clear, mesh, PVC canvas or acrylic canvas.



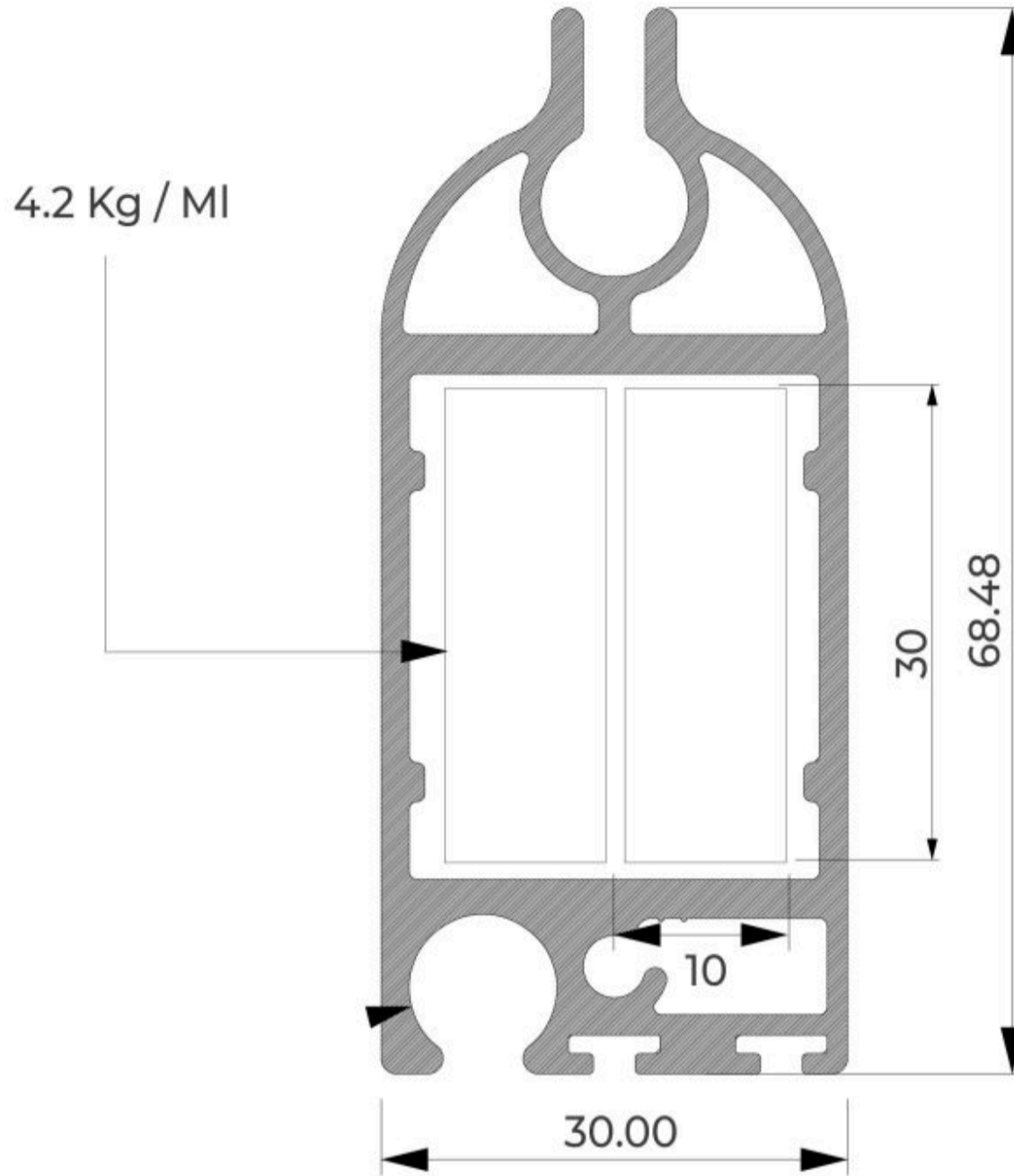

---

 RAIL AND LOCK SYSTEMS
 

---

These guide and locking systems are:

- 6 mm caliber wire guide
- 10 mm diameter stainless steel round bar guide
- Magnetic lock (in case the load bar comes loose, this works like a fuse that releases the tension, causing the canvas to form a sail-like wave, allowing the customer to roll it up without causing damage)
- Mechanical floor block, which allows the fabric to be tensioned. When winds exceed gusts of 50 km/h, its use is not recommended, as it can cause damage by dislodging the structure's anchors. This product may have wire guides, steel bars, or can be freely lowered.

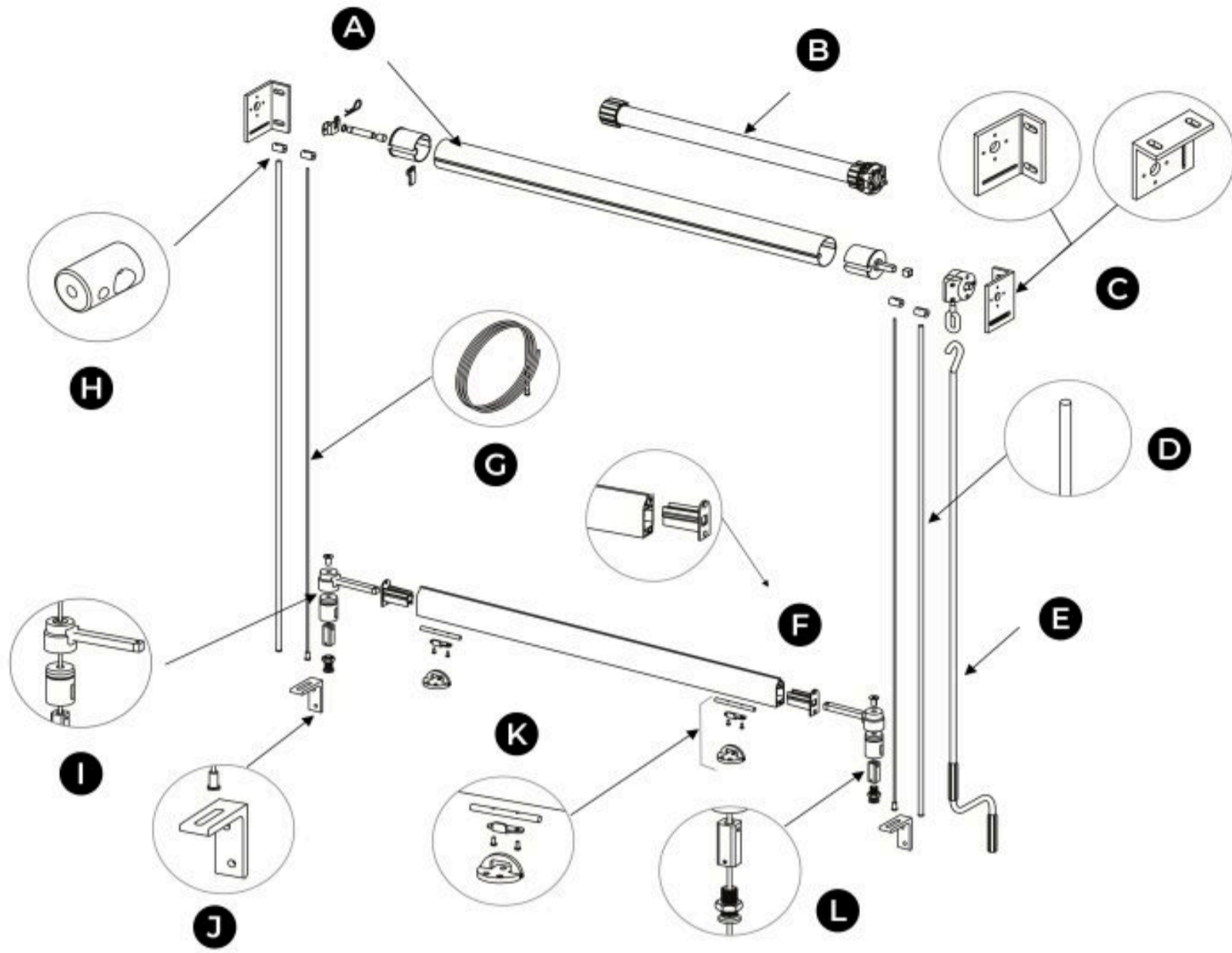


MEASURES

MATERIAL	TUBE	HEIGHT	1 MODULE WIDTH	2 MODULE WIDTH	3 MODULE WIDTH
CLEAR	78	4 m	4.5 m	9 m	13.5 m
SCREEN	78	4 m	5 m	10 m	
CLEAR	85	3.2 m	5.5 m	11 m	16.5 m
SCREEN	85	3.2 m	6 m	12 m	

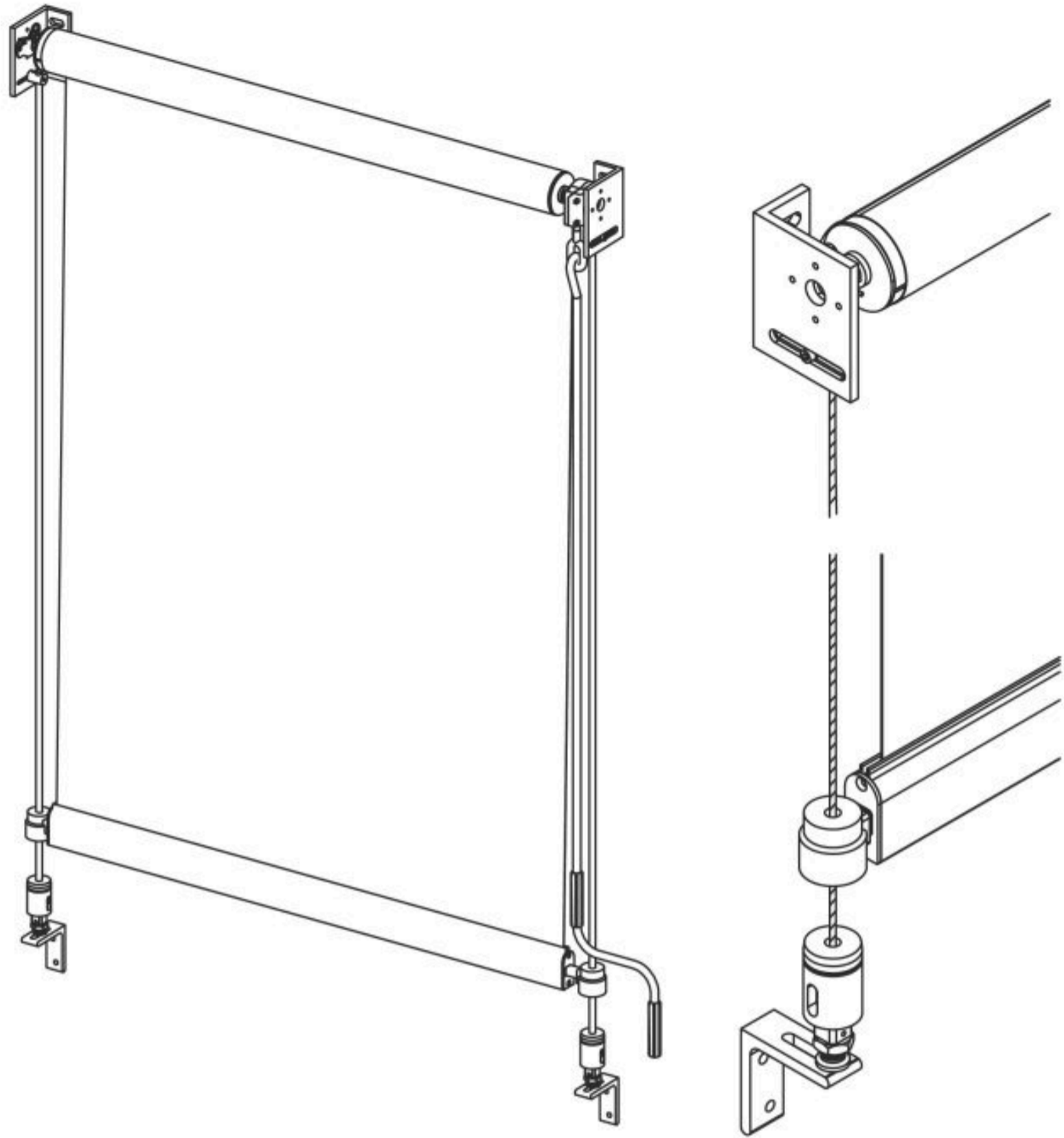
The fabric of the canvas can be: transparent, Blackout or mixed, i.e. a Blackout frame with a transparent window.

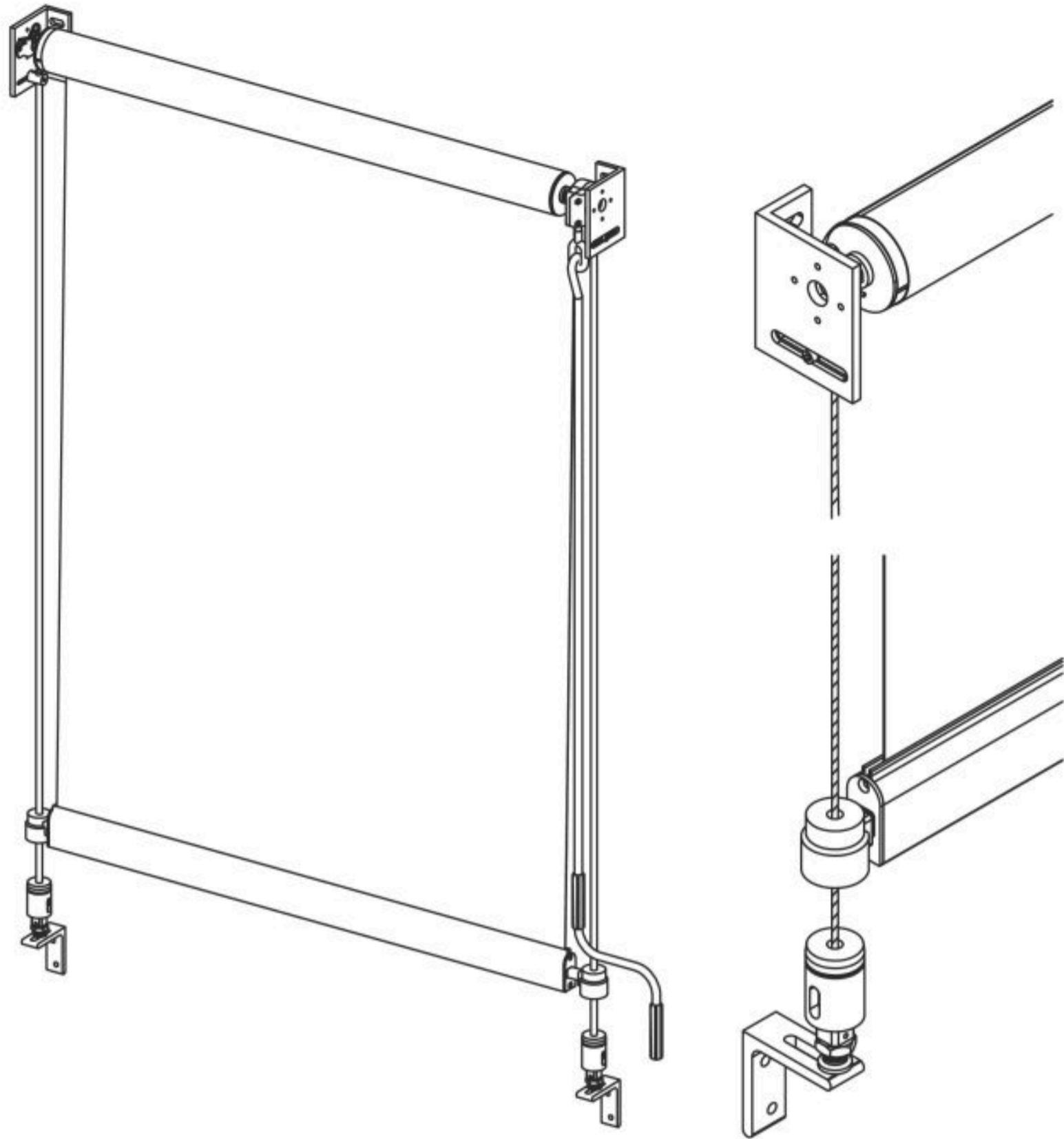
FLEXI EXPLOSION



TO	Ø78 and Ø85 tube
B	Electric motor
C	Wall or Ceiling Mount
D	Rod Ø 10
AND	Crank
F	Load Bar and Load Bar Cover
G	Stainless steel cable
H	Locking axis for cable or rod
Yo	Magnet Lock
J	Wall guide support bracket
K	Floor blocking
L	Stainless steel tensioner

SYSTEMS





## FLEXI **A**

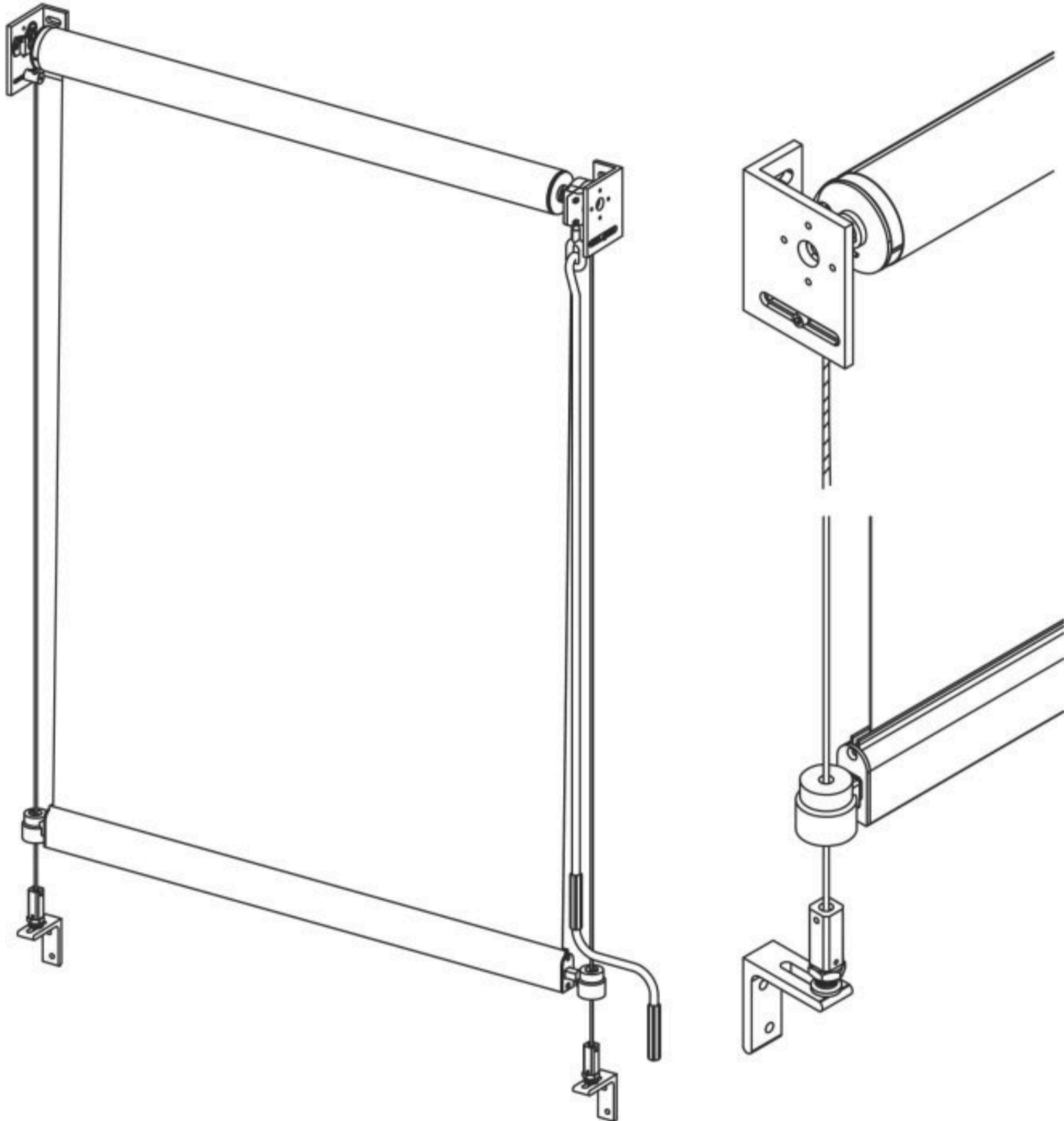
GUIDE	ACCESSORIES
<p><b>Guaya</b></p>	<ul style="list-style-type: none"> <li>- LOWER WALL MOUNTING.</li> <li>- CEILING OR WALL MOUNTING.</li> <li>- FRONT AND SIDE MOUNTING.</li> <li>- MAGNETIC LOCKING.</li> <li>- WEIGHT BARS.</li> </ul>

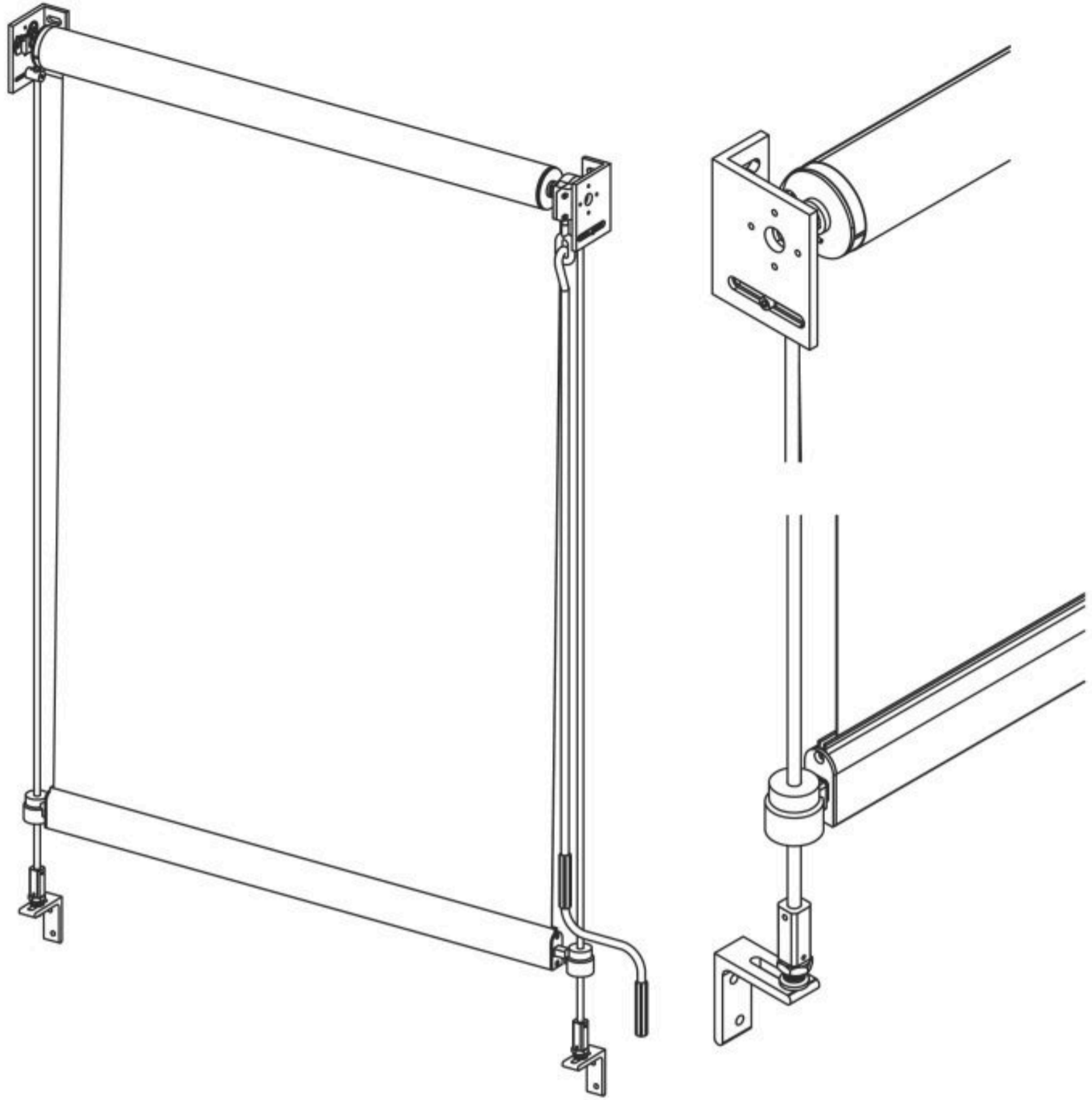
### ADVANTAGES

Easy to install on different types of facades, either frontally or on the roof. It has a safety mechanism with magnets, which act as fuses that detach when there are strong gusts of wind, preventing the fabric from breaking.

# FLEXI B

GUIDE	ACCESSORIES
<p style="text-align: center;"><b>10 MM ROUND BAR</b></p>	<ul style="list-style-type: none"> <li>- FIXING TO LOWER WALL</li> <li>- FIXING TO CEILING OR WALL</li> <li>- FRONT AND SIDE</li> <li>- MAGNETIC LOCKING</li> <li>- OVERWEIGHT BARS</li> </ul>





# FLEXI C

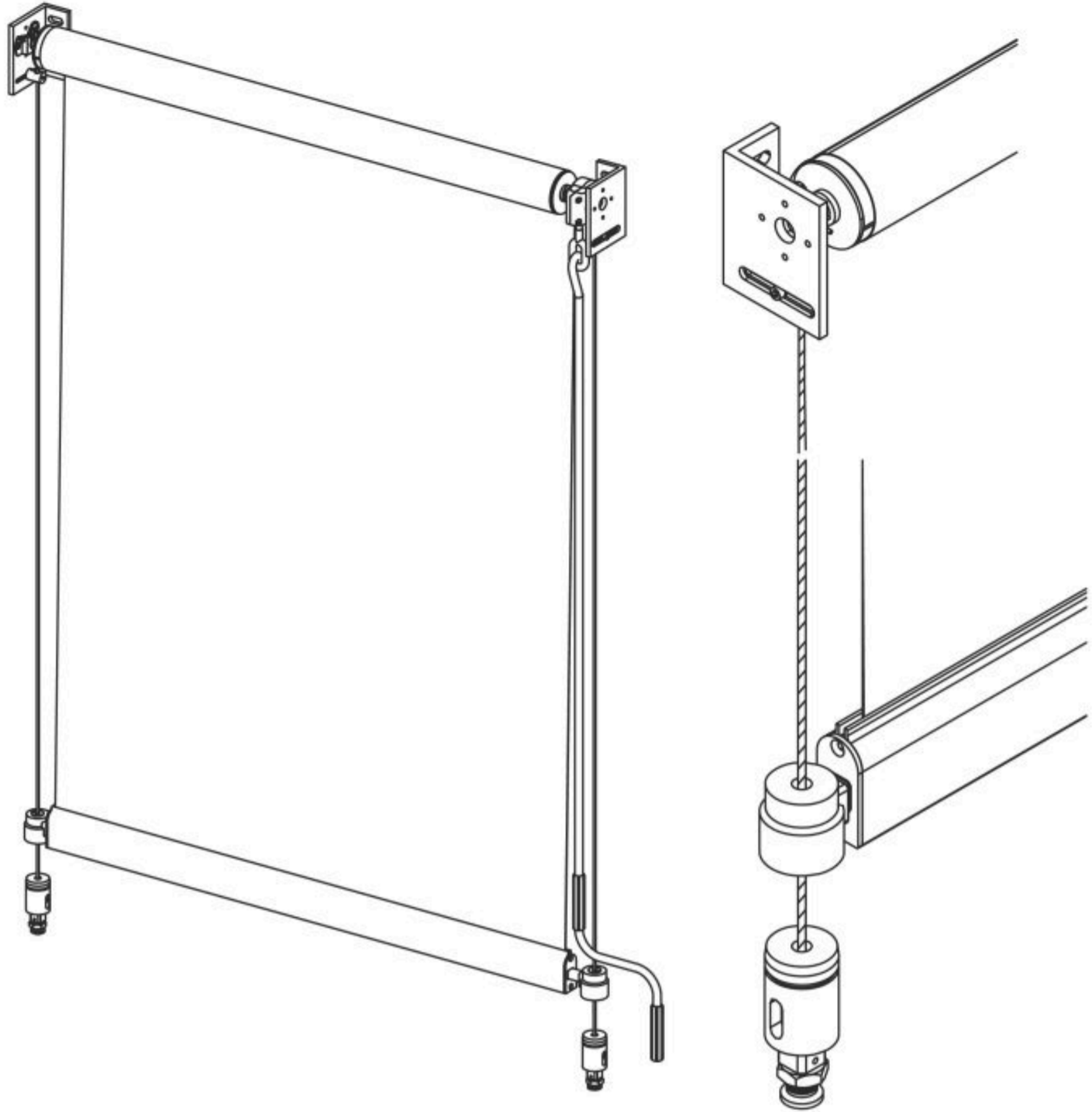
GUIDE	ACCESSORIES
<p style="text-align: center;"><b>Guaya</b></p>	<ul style="list-style-type: none"> <li>- FIXING TO LOWER WALL</li> <li>- FIXING TO CEILING OR WALL</li> <li>- FRONT AND SIDE</li> <li>- OVERWEIGHT BARS</li> </ul>

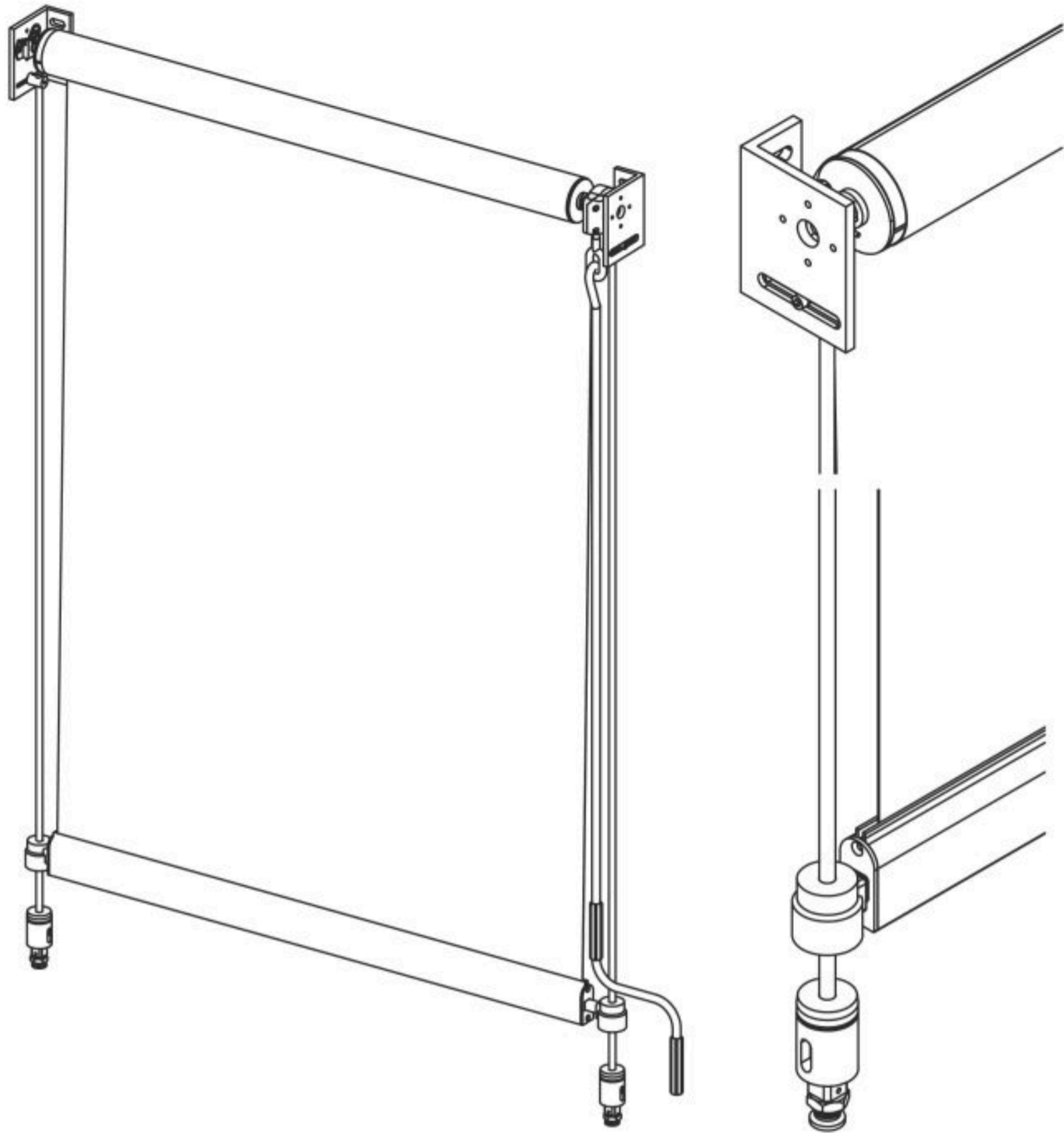
## ADVANTAGES

Easy installation on different types of facades, either frontally or on the ceiling.

# FLEXI D

GUIDE	ACCESSORIES
<p style="text-align: center;"><b>10 MM ROUND BAR</b></p>	<ul style="list-style-type: none"> <li>- FIXING TO LOWER WALL</li> <li>- FIXING TO CEILING OR WALL</li> <li>- FRONT AND SIDE</li> <li>- OVERWEIGHT BARS</li> </ul>





## FLEXI E

GUIDE	ACCESSORIES
<p><b>Guaya</b></p>	<ul style="list-style-type: none"> <li>- MAGNETIC LOCK</li> <li>- CEILING OR WALL FIXING</li> <li>- FRONT AND SIDE</li> <li>- OVERWEIGHT BARS</li> </ul>

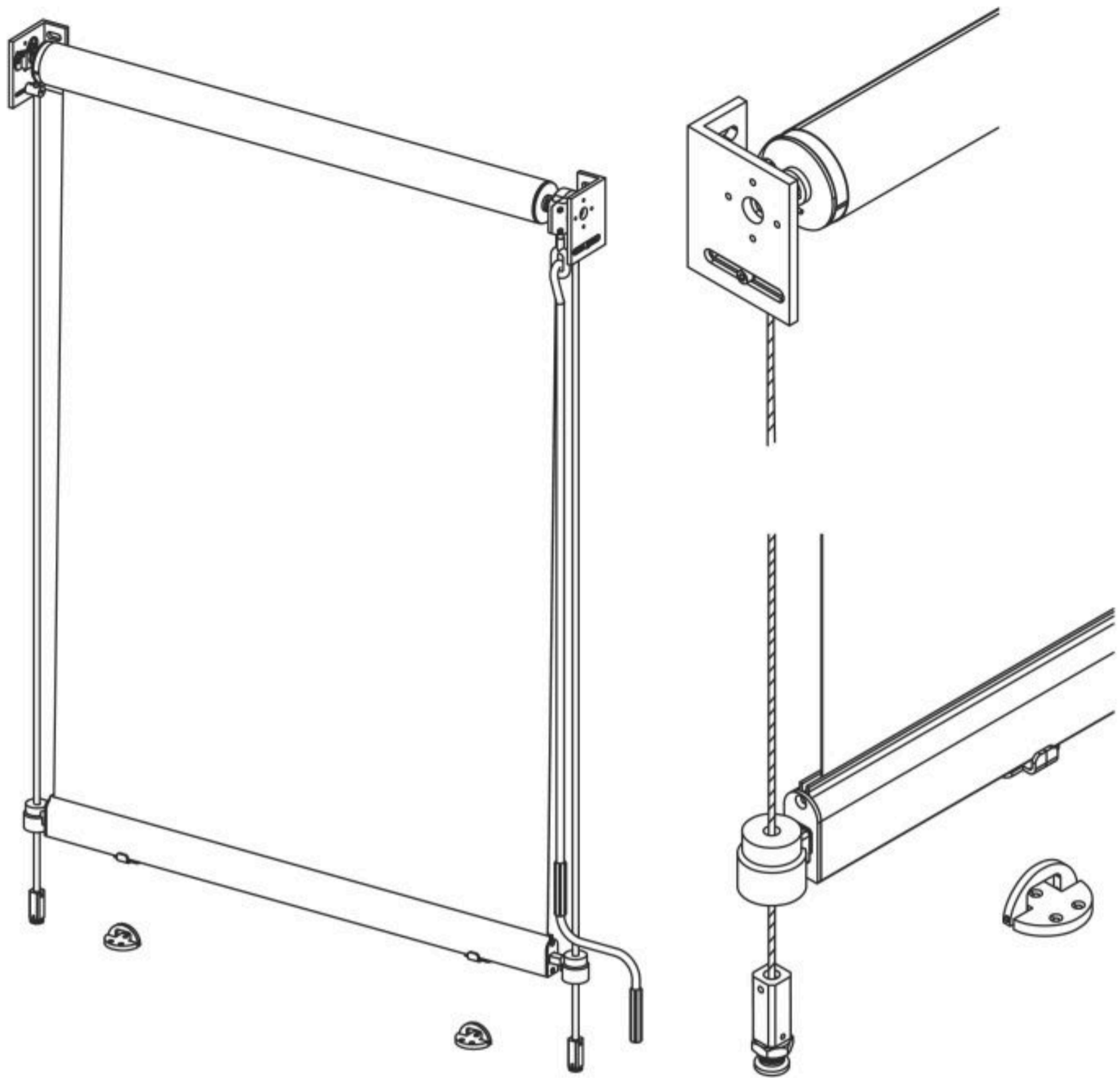
### ADVANTAGES

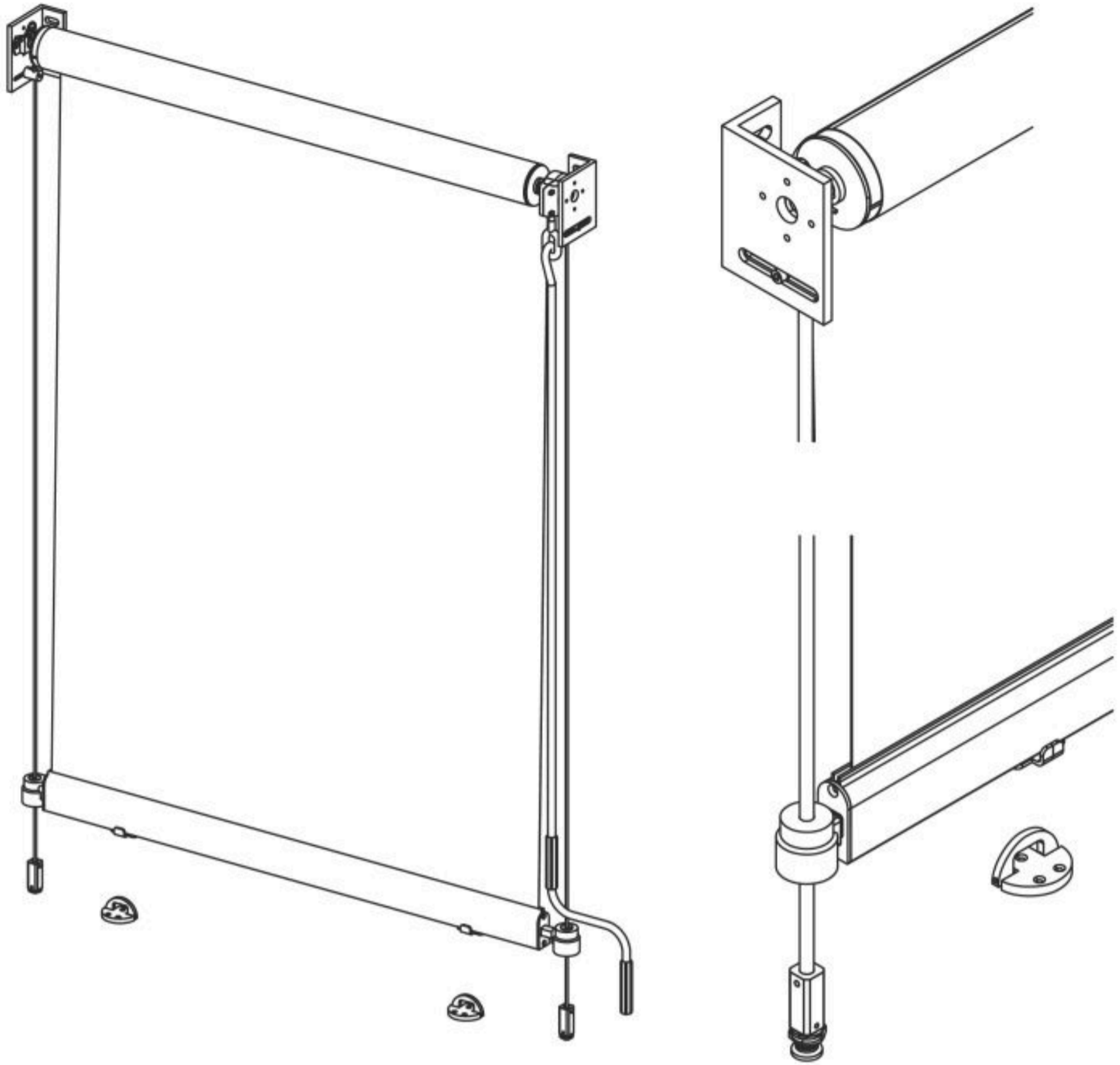
Easy to install on different types of facades, either front or roof, it has a safety mechanism with magnets, which act as fuses that detach when there are strong gusts of wind, preventing the fabric from breaking.

# FLEXI F

GUIDE	ACCESSORIES
<p>10 MM ROUND BAR</p>	<ul style="list-style-type: none"><li>- MAGNETIC LOCK</li><li>- CEILING OR WALL FIXING</li><li>- FRONT AND SIDE</li><li>- OVERWEIGHT BARS</li></ul>







# FLEXI G

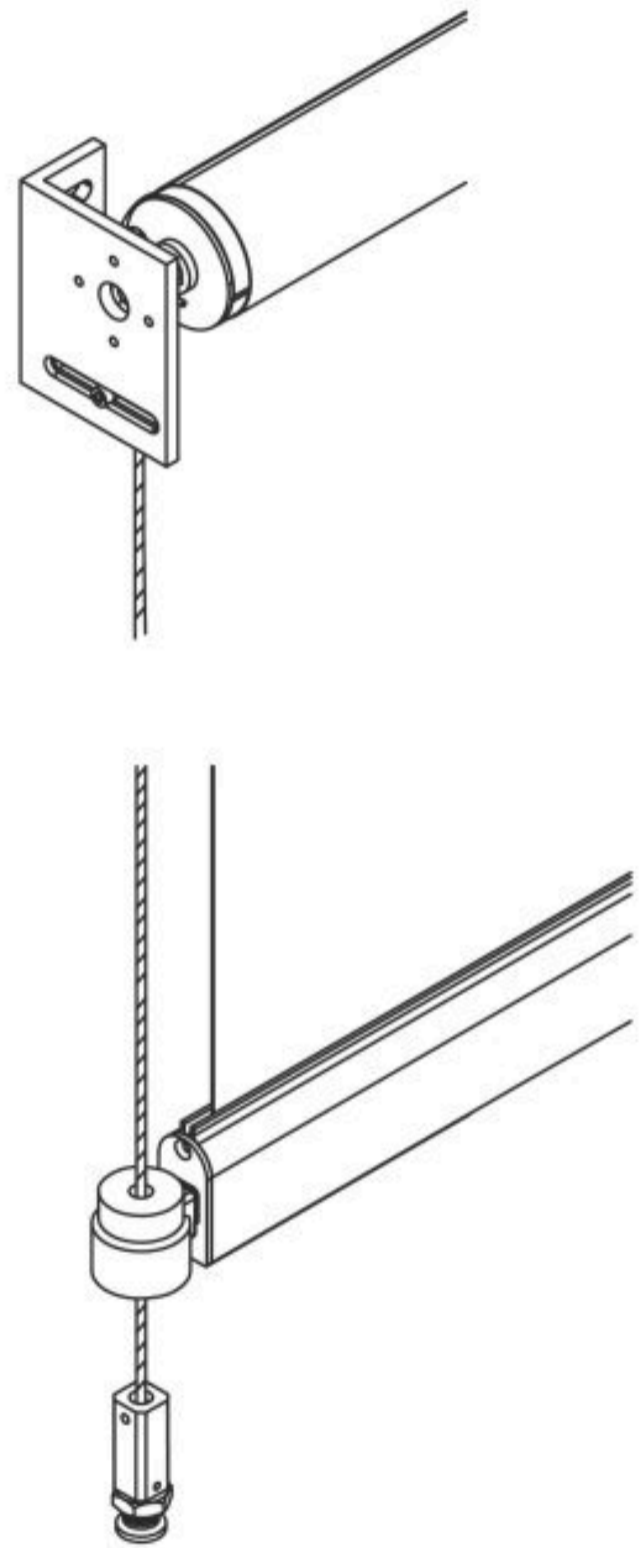
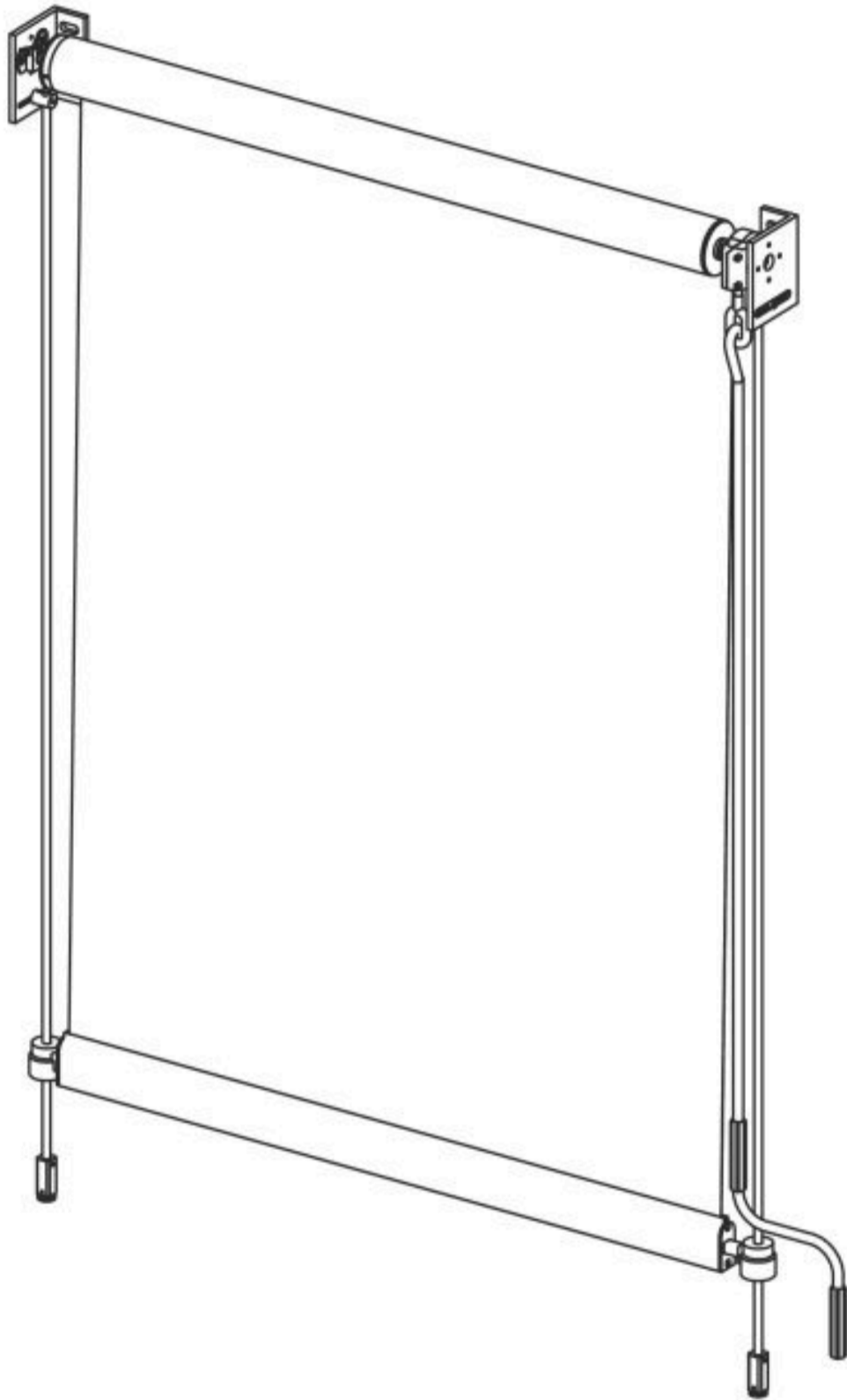
GUIDE	ACCESSORIES
<p><b>Guaya</b></p>	<ul style="list-style-type: none"> <li>- HOOK LOCK</li> <li>- CEILING OR WALL FIXING</li> <li>- FRONT AND SIDE</li> <li>- OVERWEIGHT BARS</li> </ul>

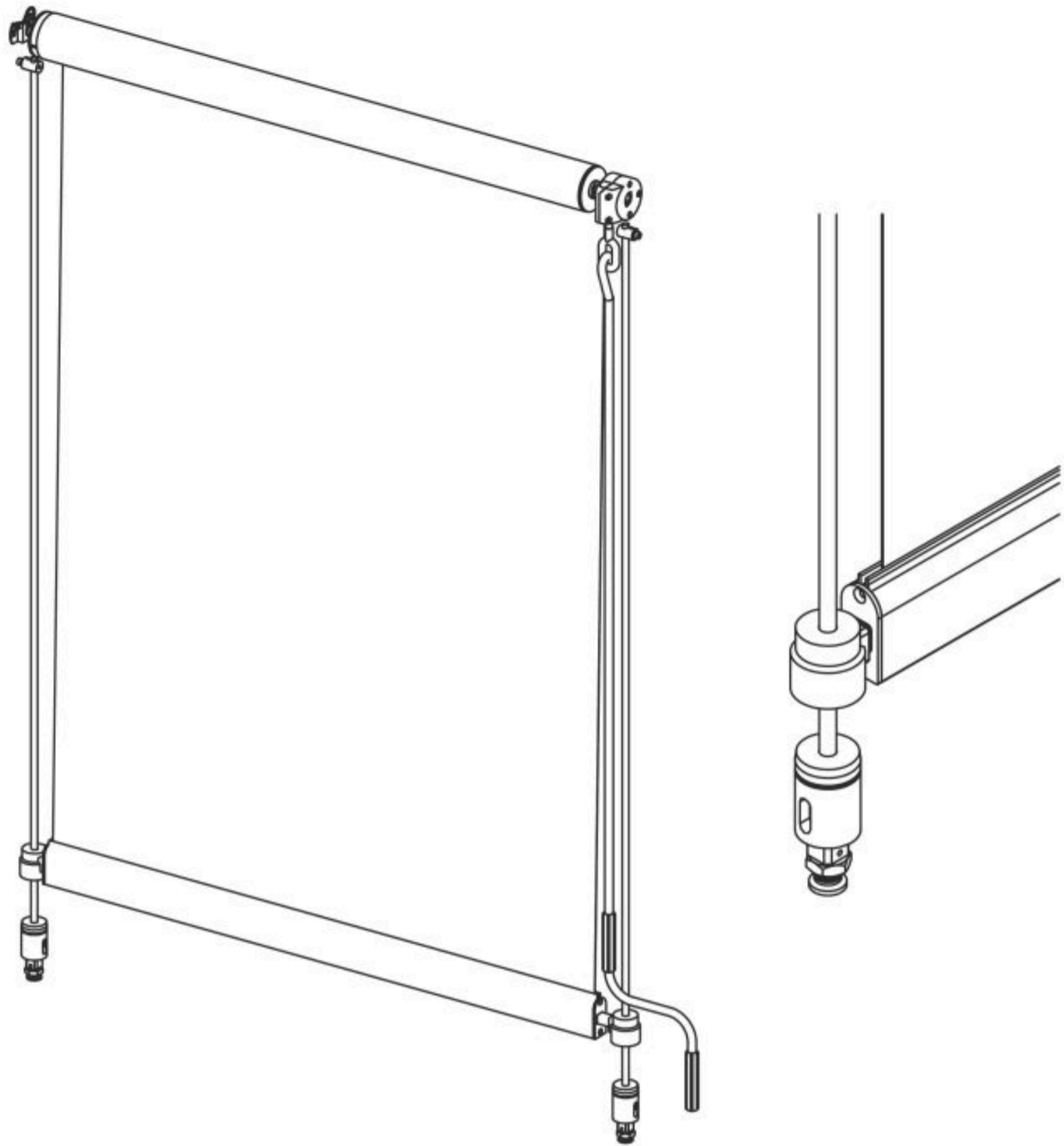
## ADVANTAGES

Easy installation on the floor, facade, and ceiling. It has a mechanical safety mechanism on the floor which allows the canvas to be tensioned after being locked to the floor.

# FLEXI H

GUIDE	ACCESSORIES
<p>10 MM ROUND BAR</p>	<ul style="list-style-type: none"> <li>- HOOK LOCK</li> <li>- CEILING OR WALL FIXING</li> <li>- FRONT AND SIDE</li> <li>- OVERWEIGHT BARS</li> </ul>





## FLEXI I

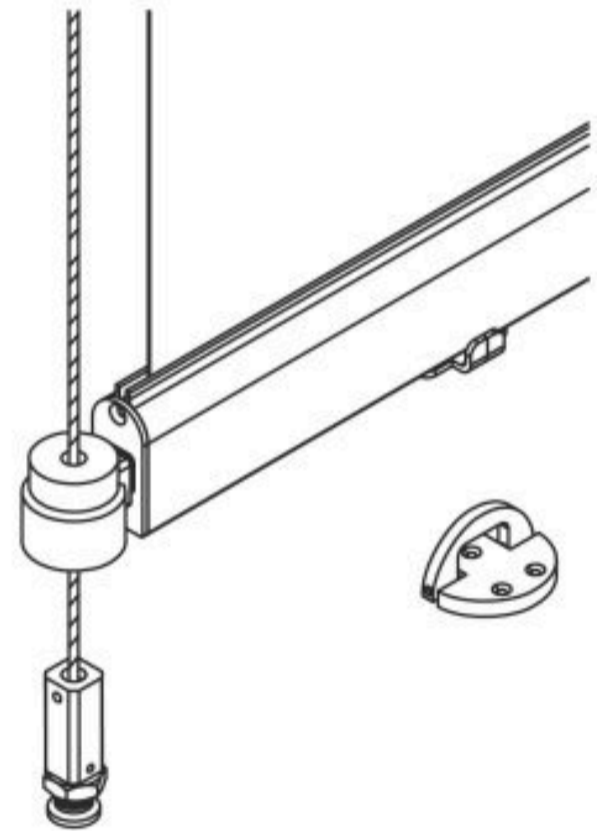
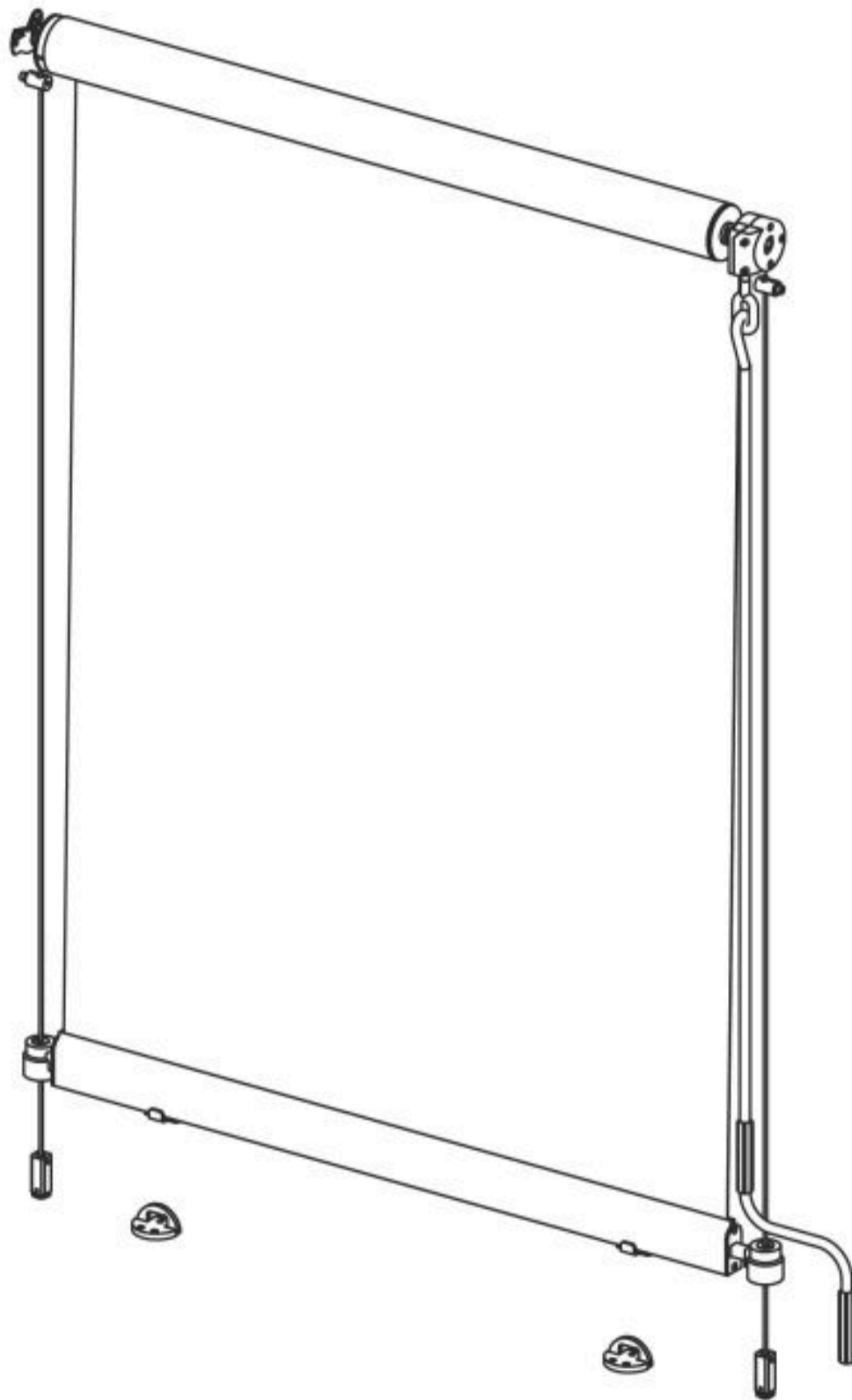
GUIDE	ACCESSORIES
<p><b>Guaya</b></p>	<ul style="list-style-type: none"> <li>- CEILING OR WALL FIXING</li> <li>- FRONT AND SIDE</li> <li>- OVERWEIGHT BARS</li> </ul>

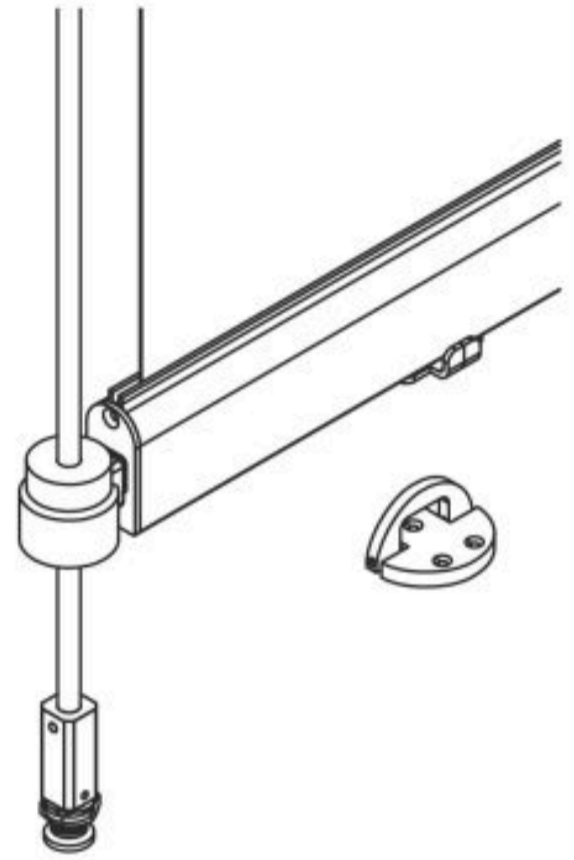
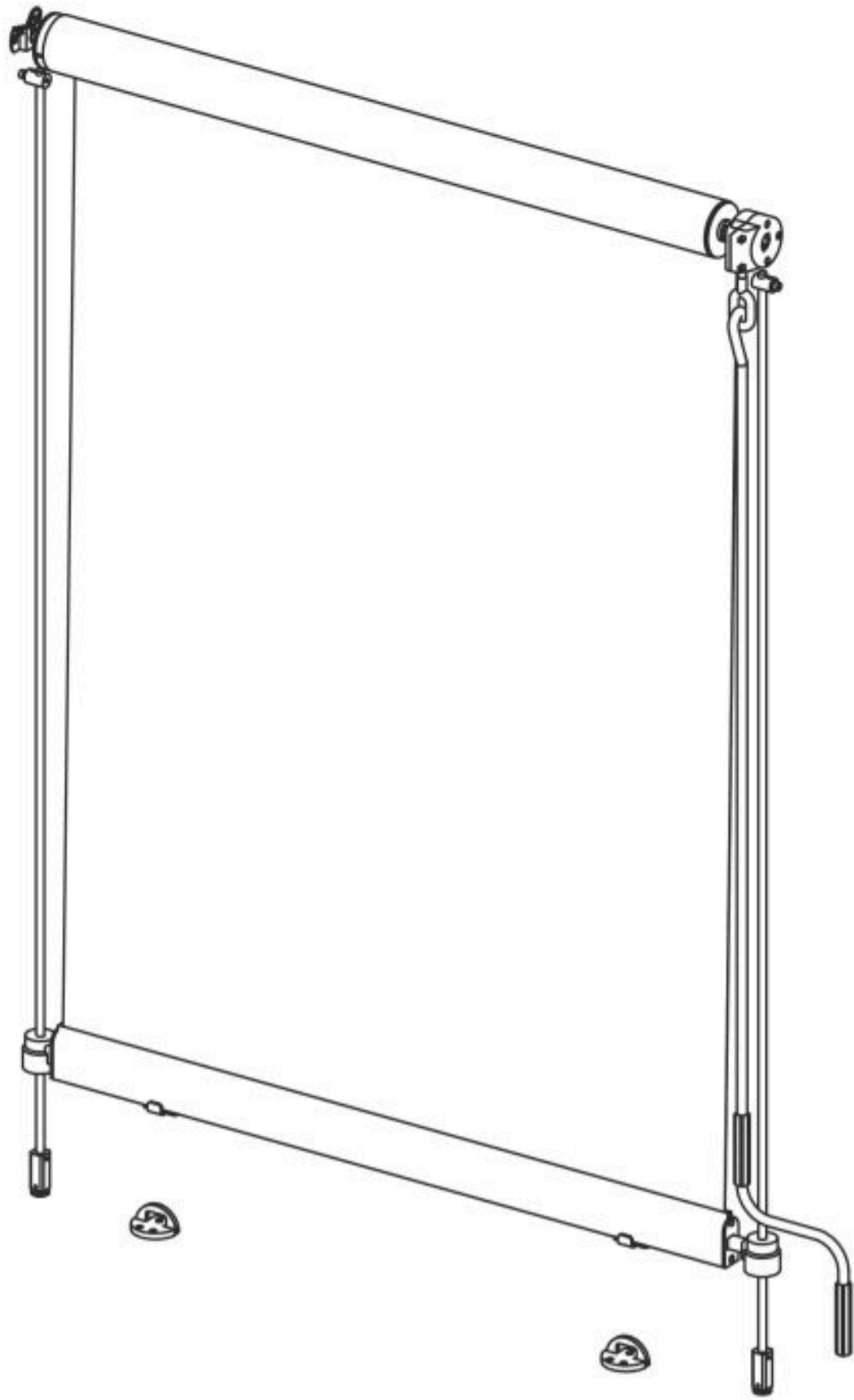
### ADVANTAGES

Easy installation on floor, ceiling and facade.

# FLEXI J

GUIDE	ACCESSORIES
<p>10 MM ROUND BAR</p>	<ul style="list-style-type: none"><li>- CEILING OR WALL FIXING</li><li>- FRONT AND SIDE</li><li>- OVERWEIGHT BARS</li></ul>





# FLEXI K

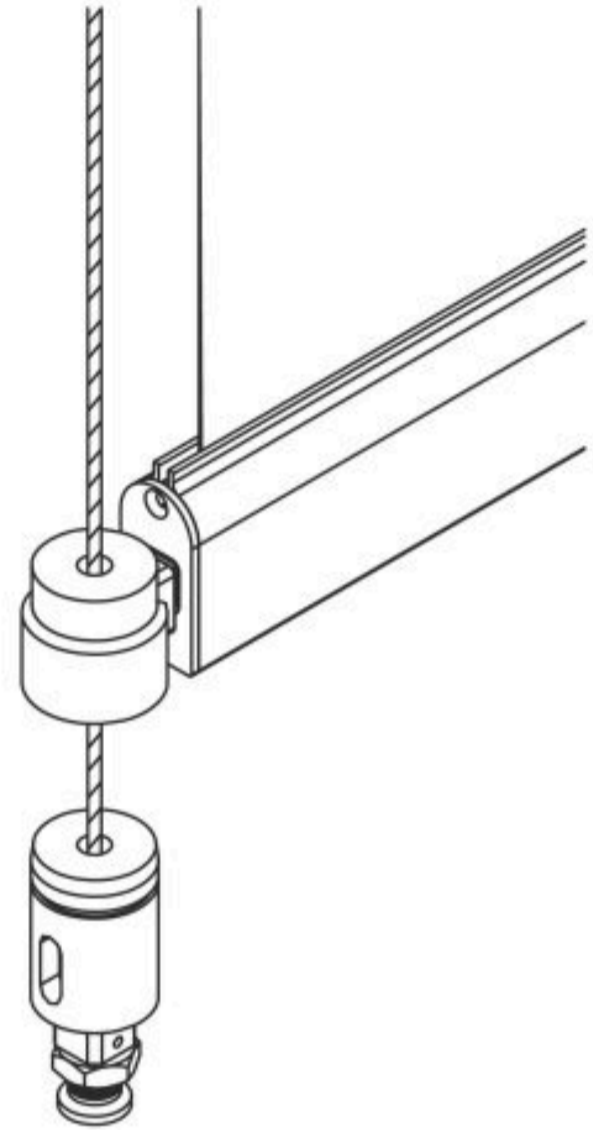
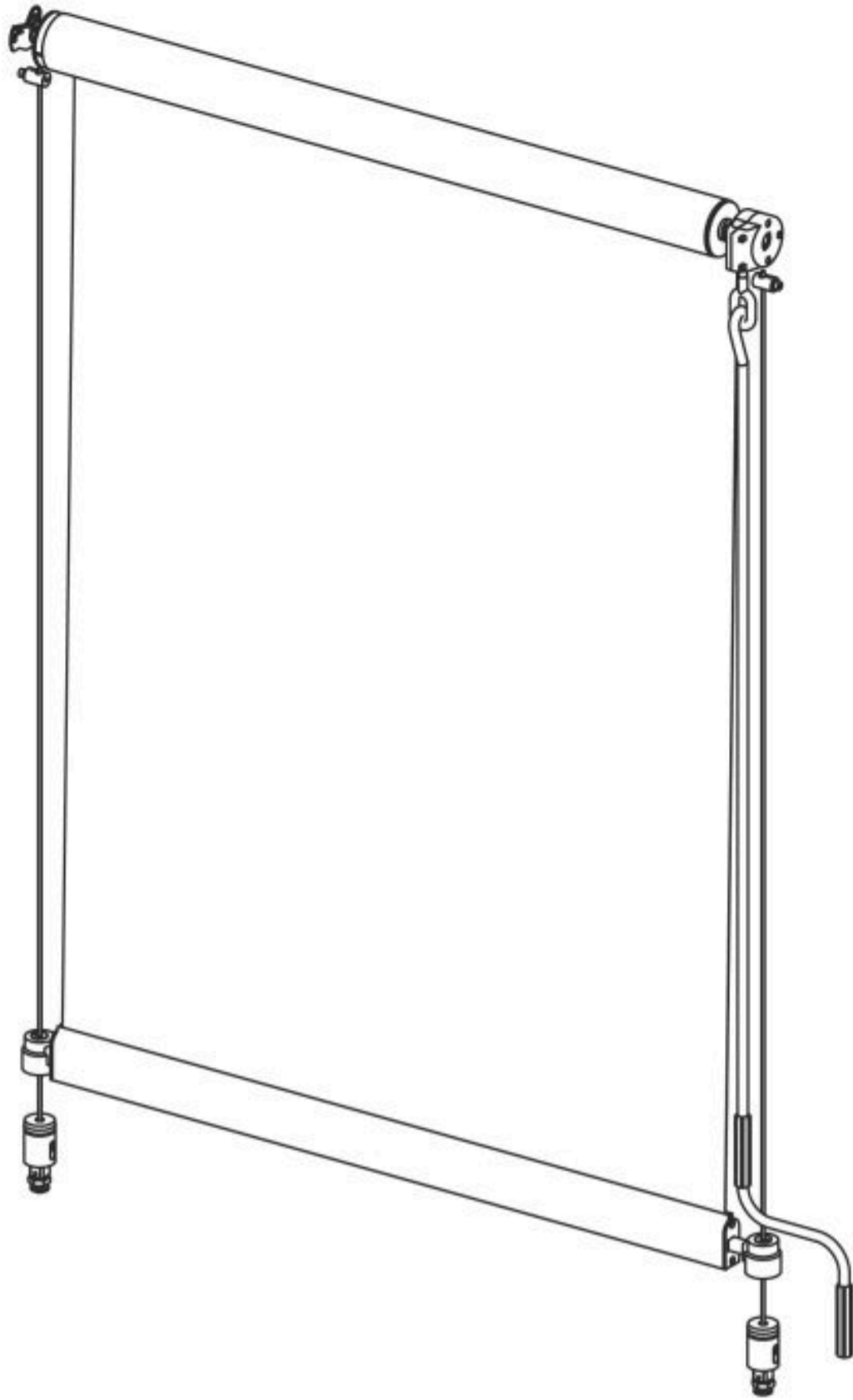
GUIDE	ACCESSORIES
<p><b>Guaya</b></p>	<ul style="list-style-type: none"> <li>- HOOK LOCK</li> <li>- OVERWEIGHT BARS</li> </ul>

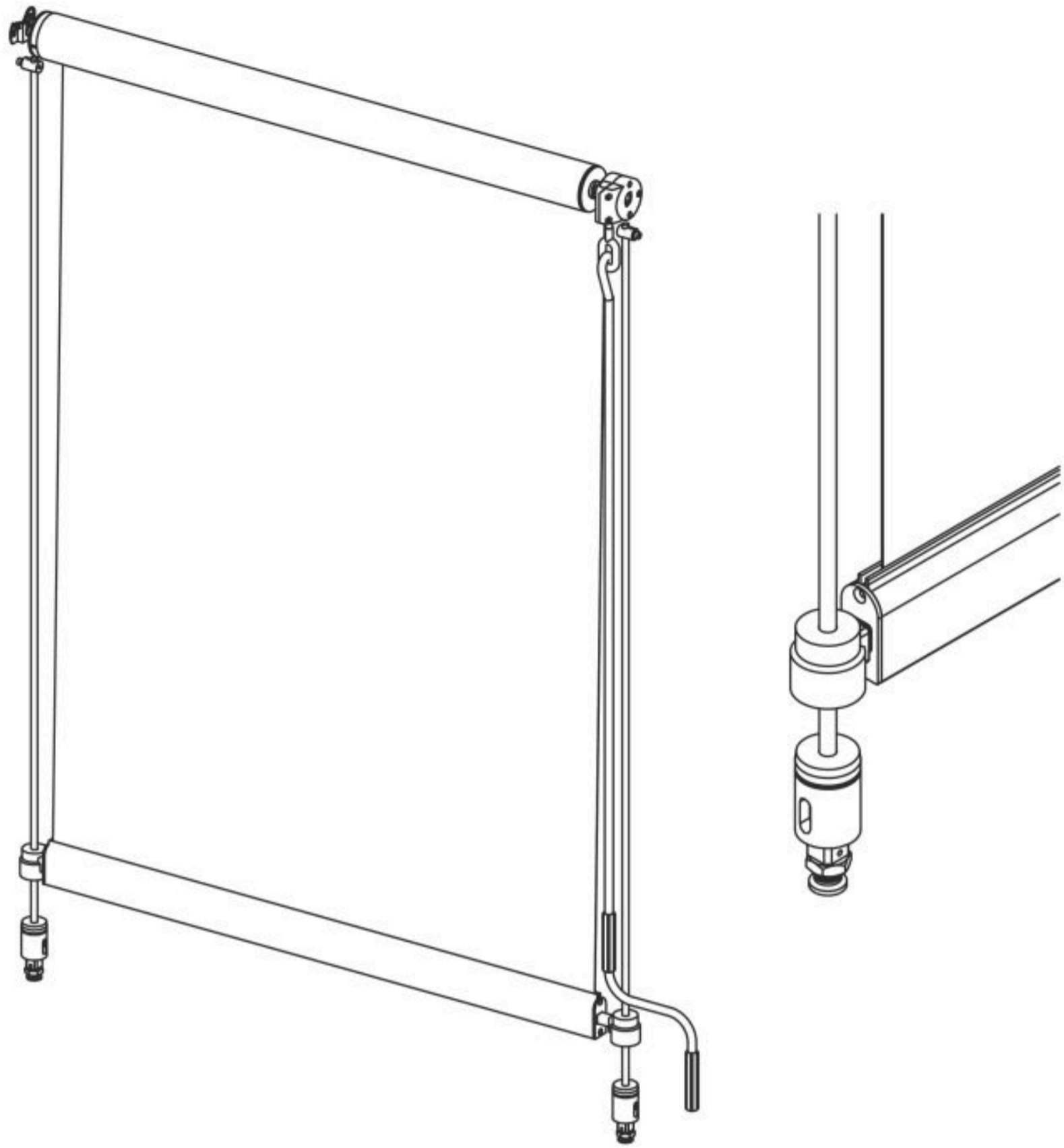
## ADVANTAGES

Easy floor installation. Ideal for installation on our retractable pergolas. It features a mechanical floor safety mechanism that allows the fabric to be tensioned after being secured to the floor.

# FLEXI L

GUIDE	ACCESSORIES
<p><b>10 MM ROUND BAR</b></p>	<ul style="list-style-type: none"> <li>- HOOK LOCK</li> <li>- OVERWEIGHT BARS</li> </ul>





# FLEXI M

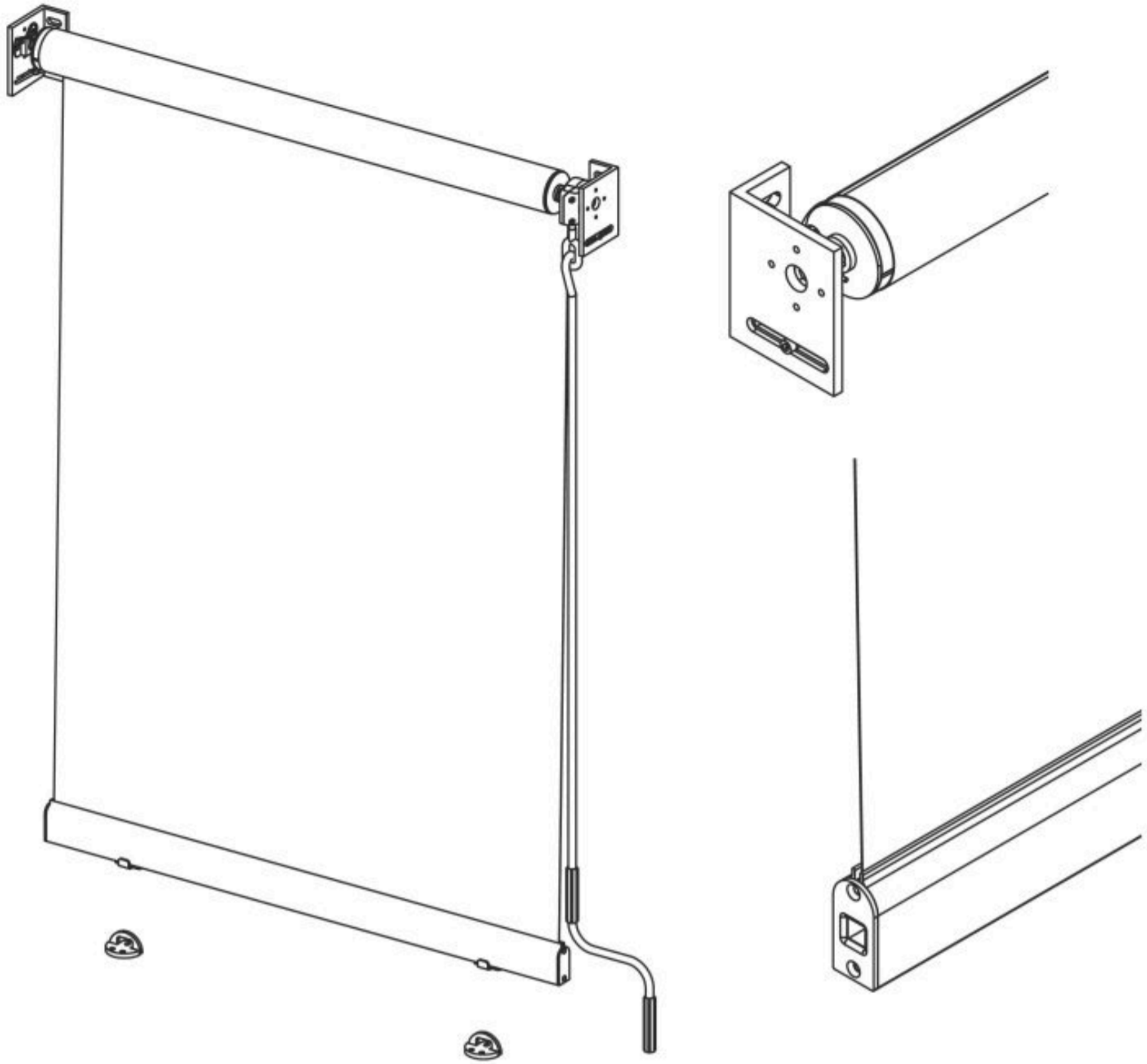
GUIDE	ACCESSORIES
<p><b>Guaya</b></p>	<ul style="list-style-type: none"> <li>- MAGNETIC LOCK</li> <li>- OVERWEIGHT BARS</li> </ul>

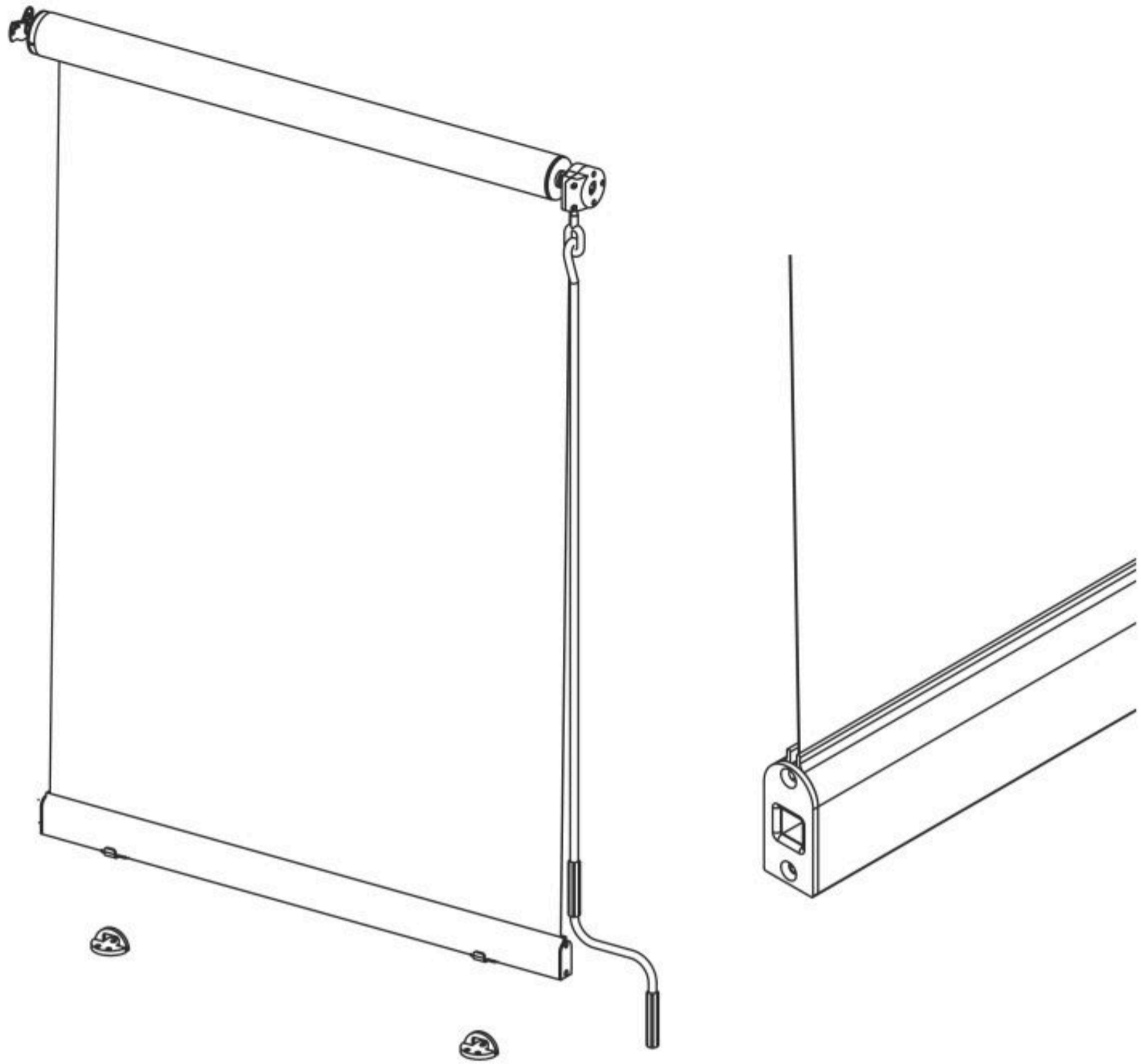
## ADVANTAGES

Easy floor installation, ideal for installing on our retractable pergolas. It features a safety mechanism with magnets that act as fuses and detach in strong gusts of wind, preventing the fabric from tearing.

# FLEXI N

GUIDE	ACCESSORIES
<p><b>10 MM ROUND BAR</b></p>	<ul style="list-style-type: none"> <li>- MAGNETIC LOCK</li> <li>- OVERWEIGHT BARS</li> </ul>





# FLEXI O

GUIDE	ACCESSORIES
<p><b>Guaya</b></p>	<ul style="list-style-type: none"> <li>- FLOOR LOCKING</li> <li>- CEILING OR WALL FIXING</li> <li>- FRONT AND SIDE</li> <li>- OVERWEIGHT BARS</li> </ul>

## ADVANTAGES

Easy floor installation. It features a mechanical floor safety system that allows the tarp to be tensioned by locking it to the ground. It is recommended not to use it in areas with strong winds, as the load bar is loose and could cause damage if the hooks come loose.

# FLEXI P

GUIDE	ACCESSORIES
<p>10 MM ROUND BAR</p>	<ul style="list-style-type: none"><li>- FLOOR LOCK</li><li>- OVERWEIGHT BARS</li></ul>



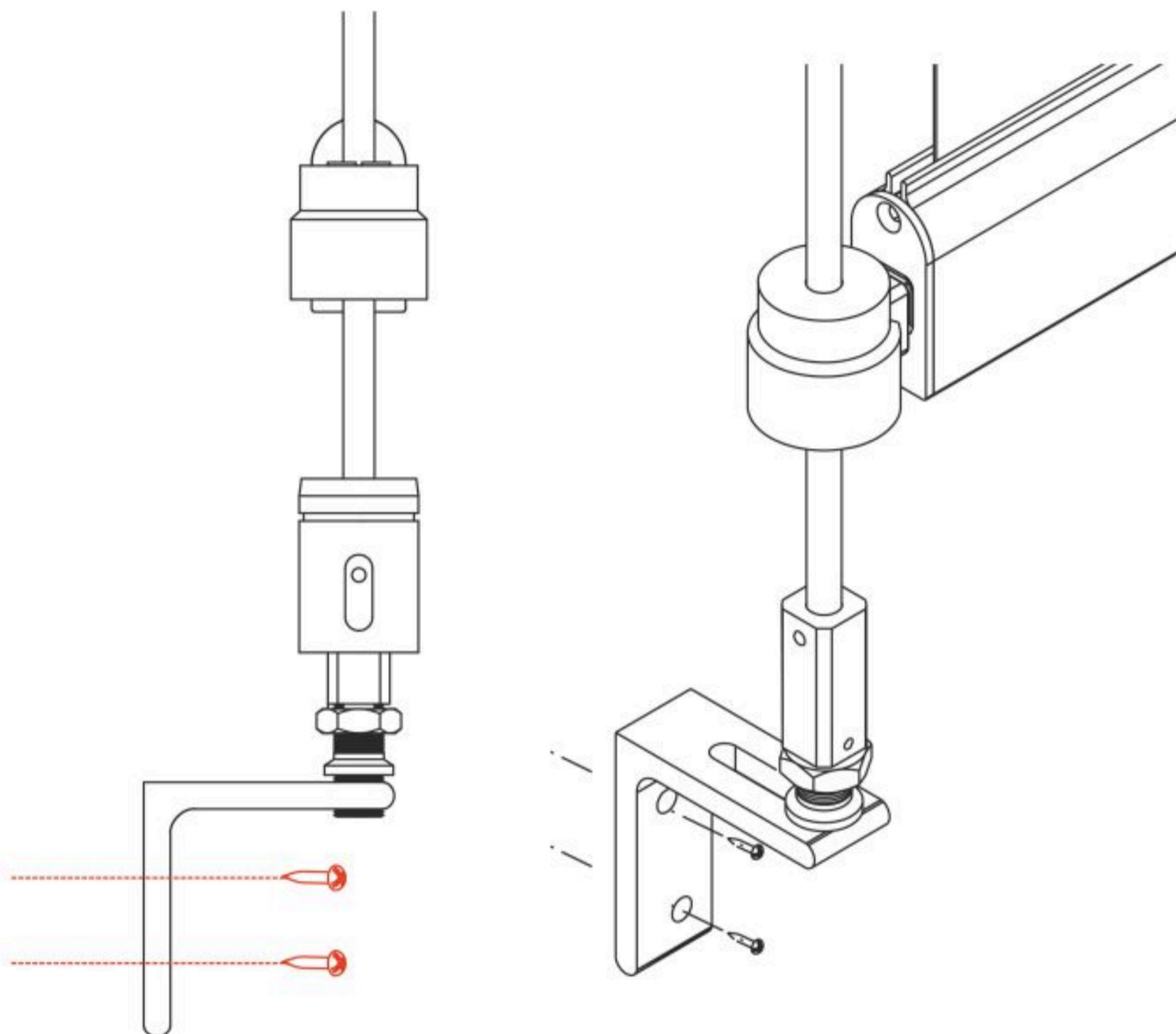
---

 TYPES OF FASTENER
 

---

The FLEXI box can be fixed to the ceiling using the ceiling bracket, to the side of the Pergostar, Pergolam or other pergolas, or to the front and side walls using the same side covers.

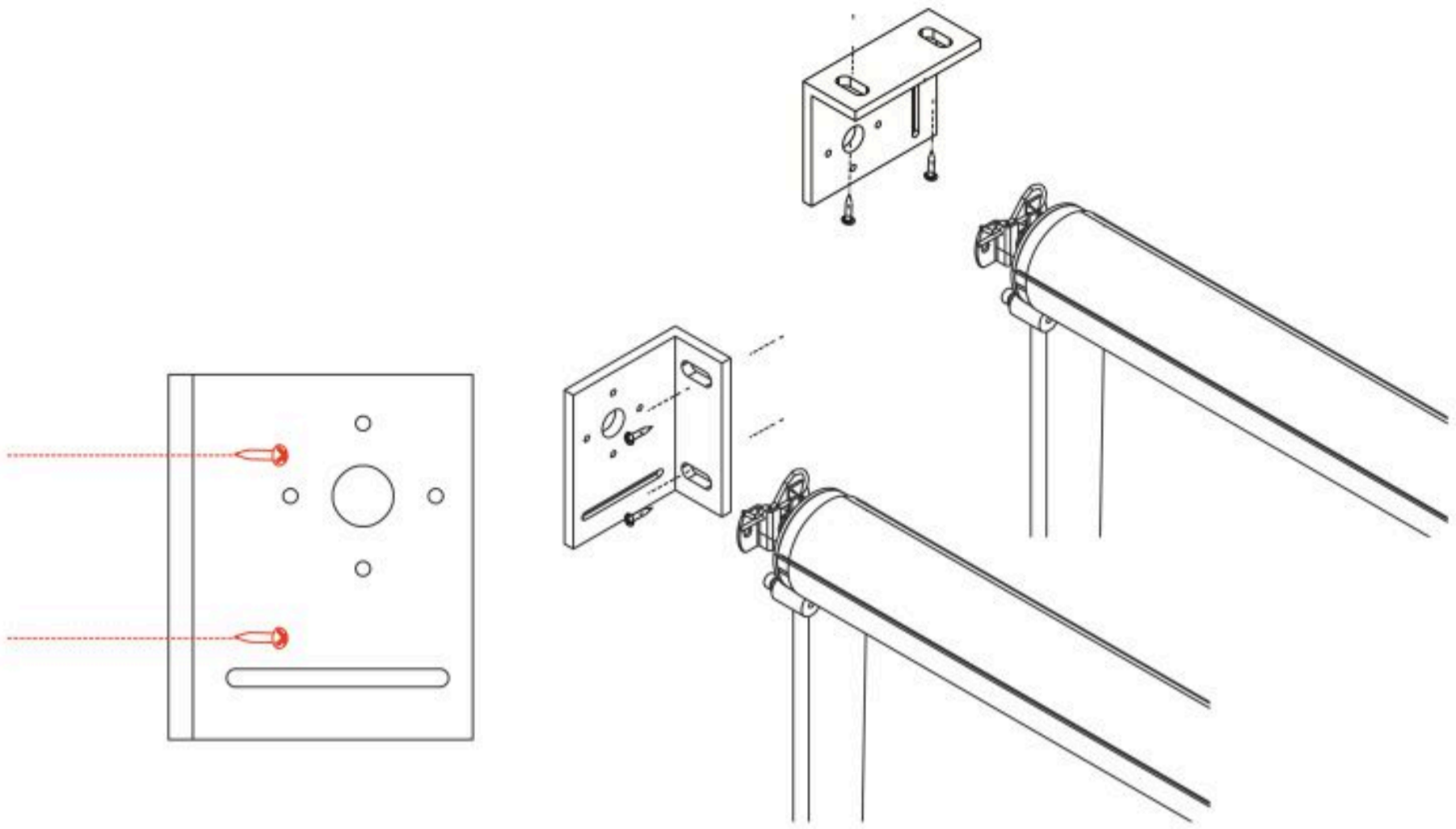
### LOWER FIXING TO FACADE



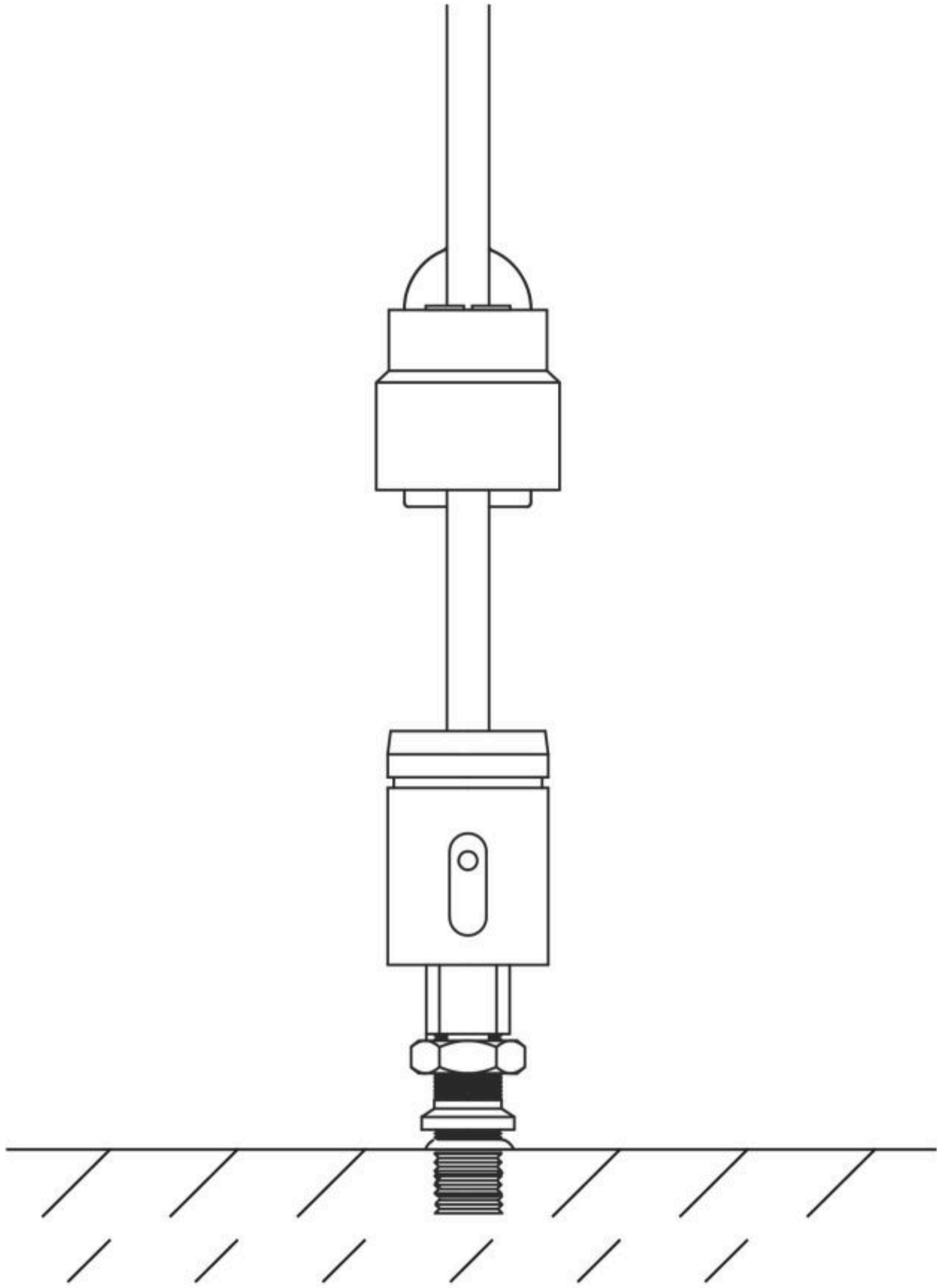
Facade support kit with anchoring according to the type of façade material

- Wood
- Concrete
- Metal

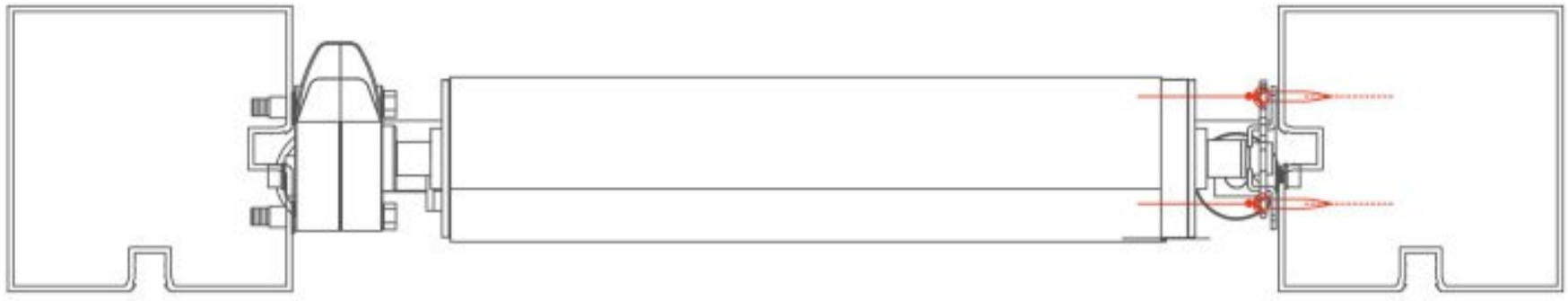
### FRONT CEILING FIXATION



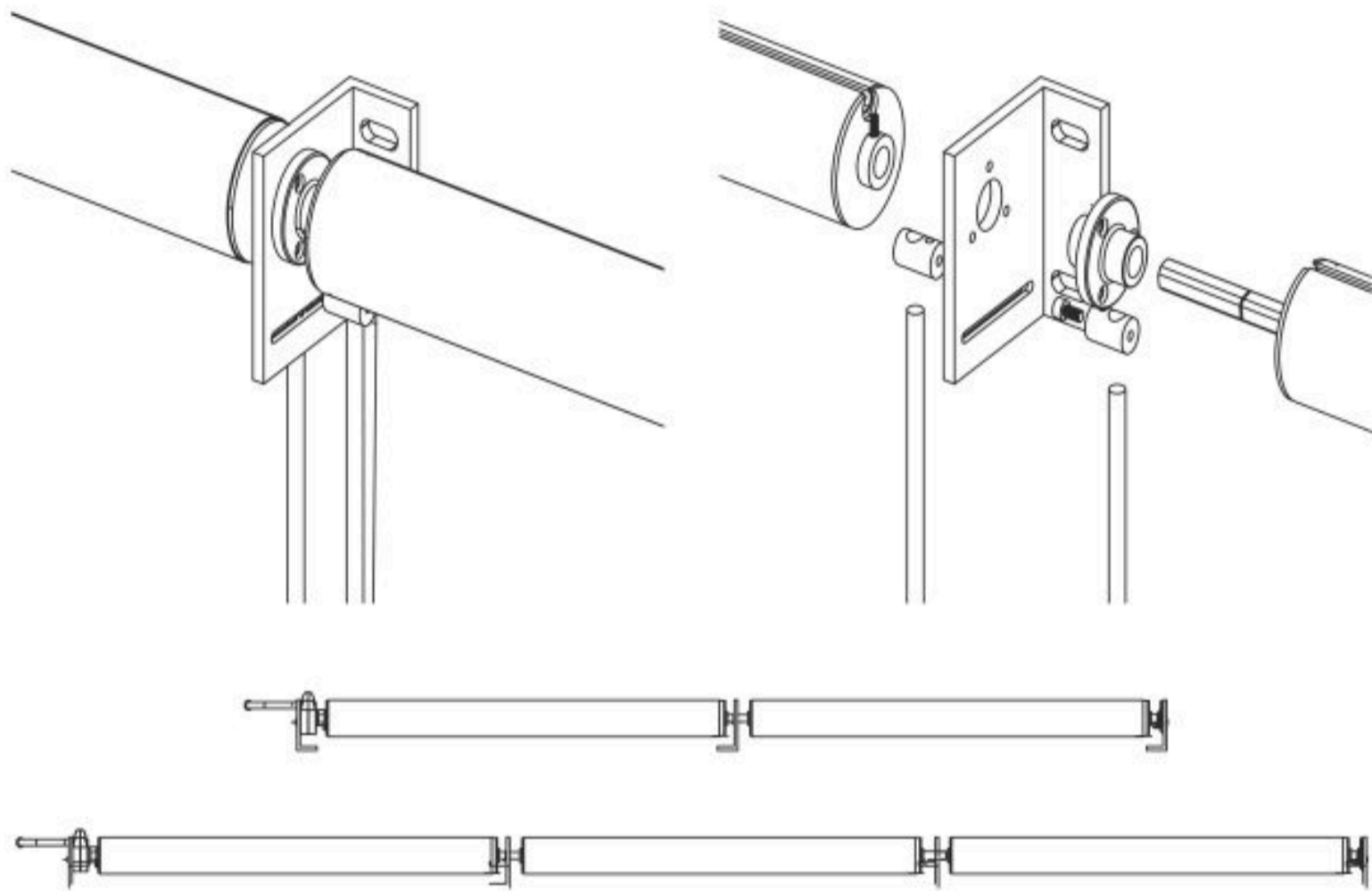
**CEILING FIXATION**

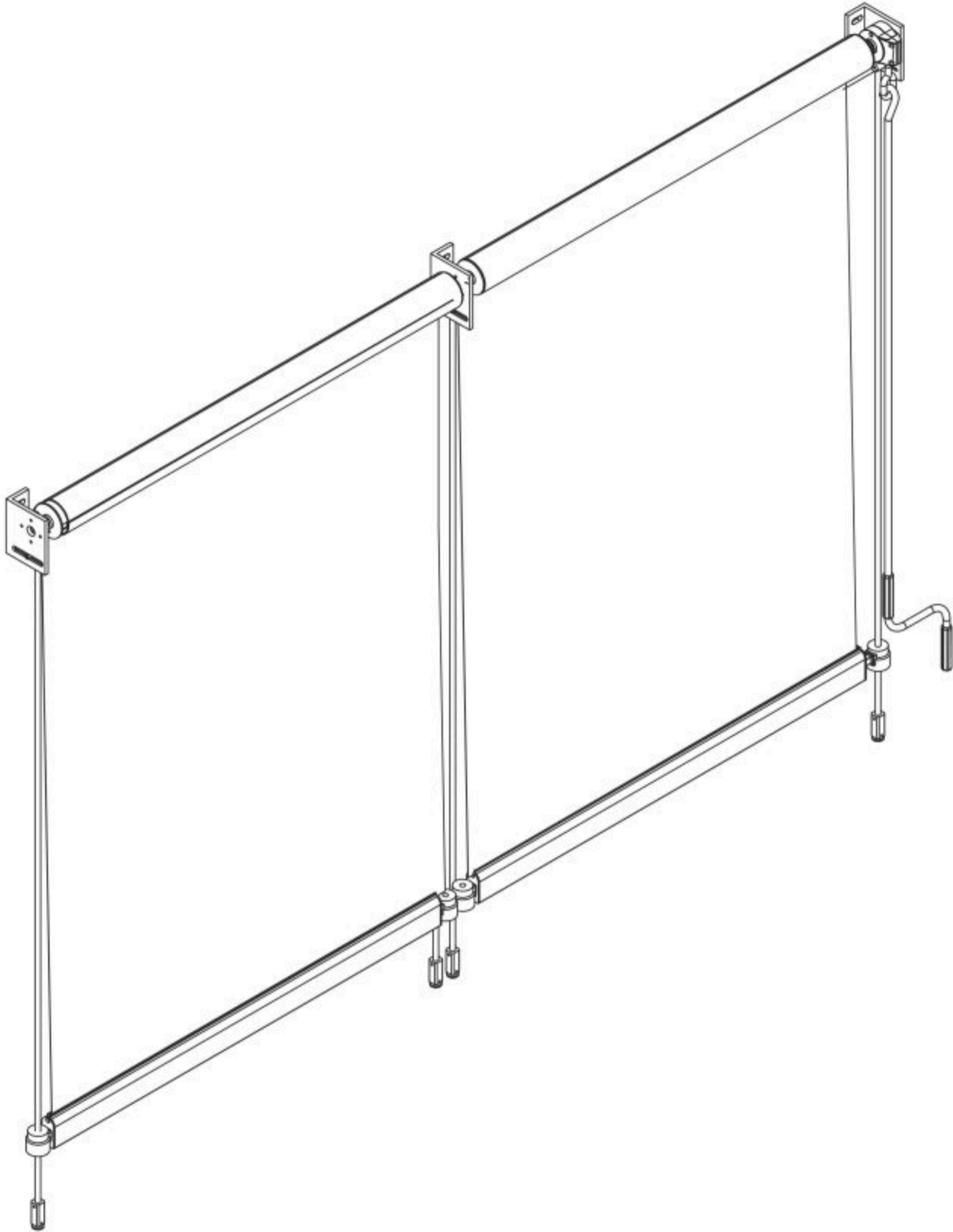


**FIXING TO PERGOFLEX**

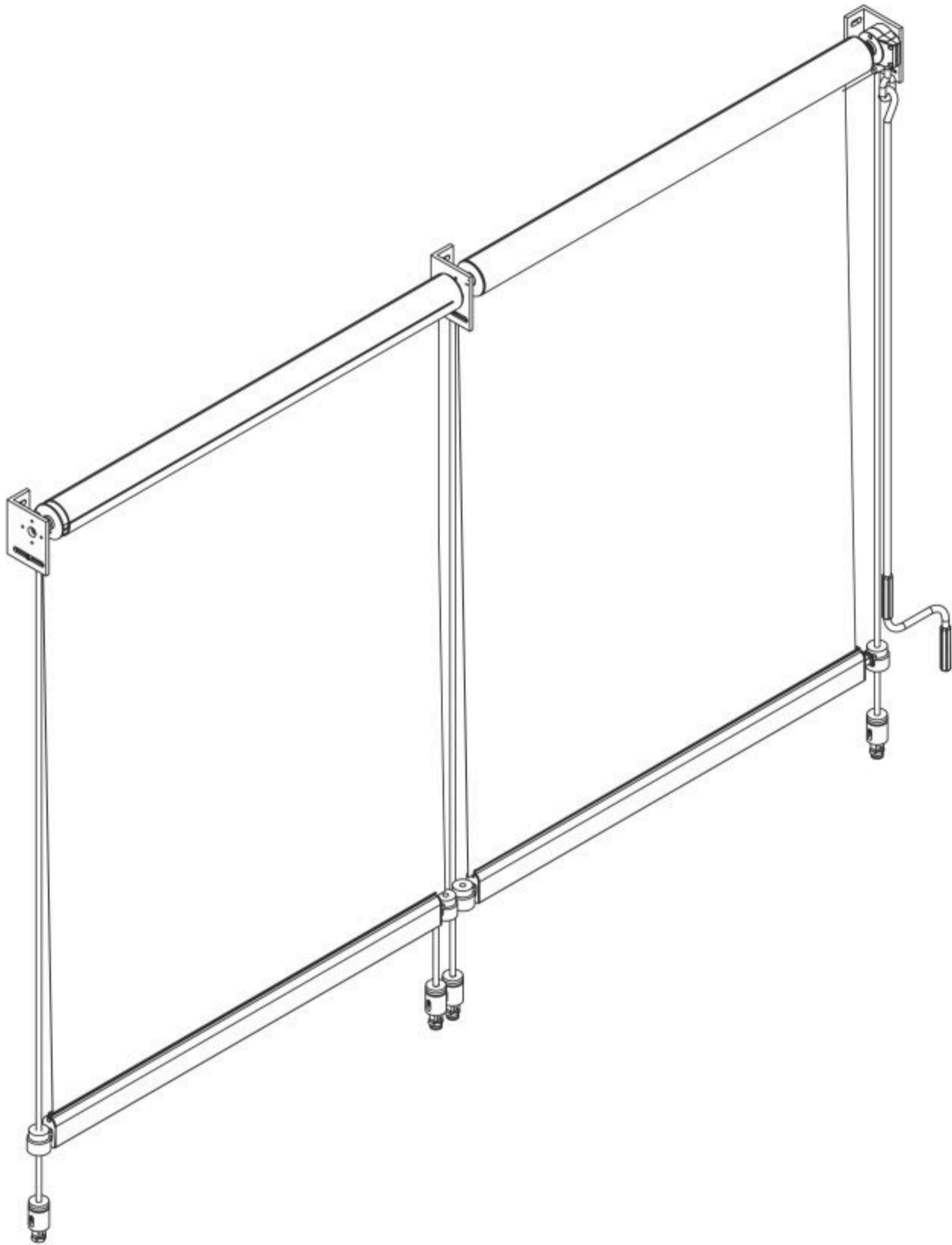


Machining guide profile for fixing to Pergostar, Pergodom, Pergolam and Pergoflex columns.

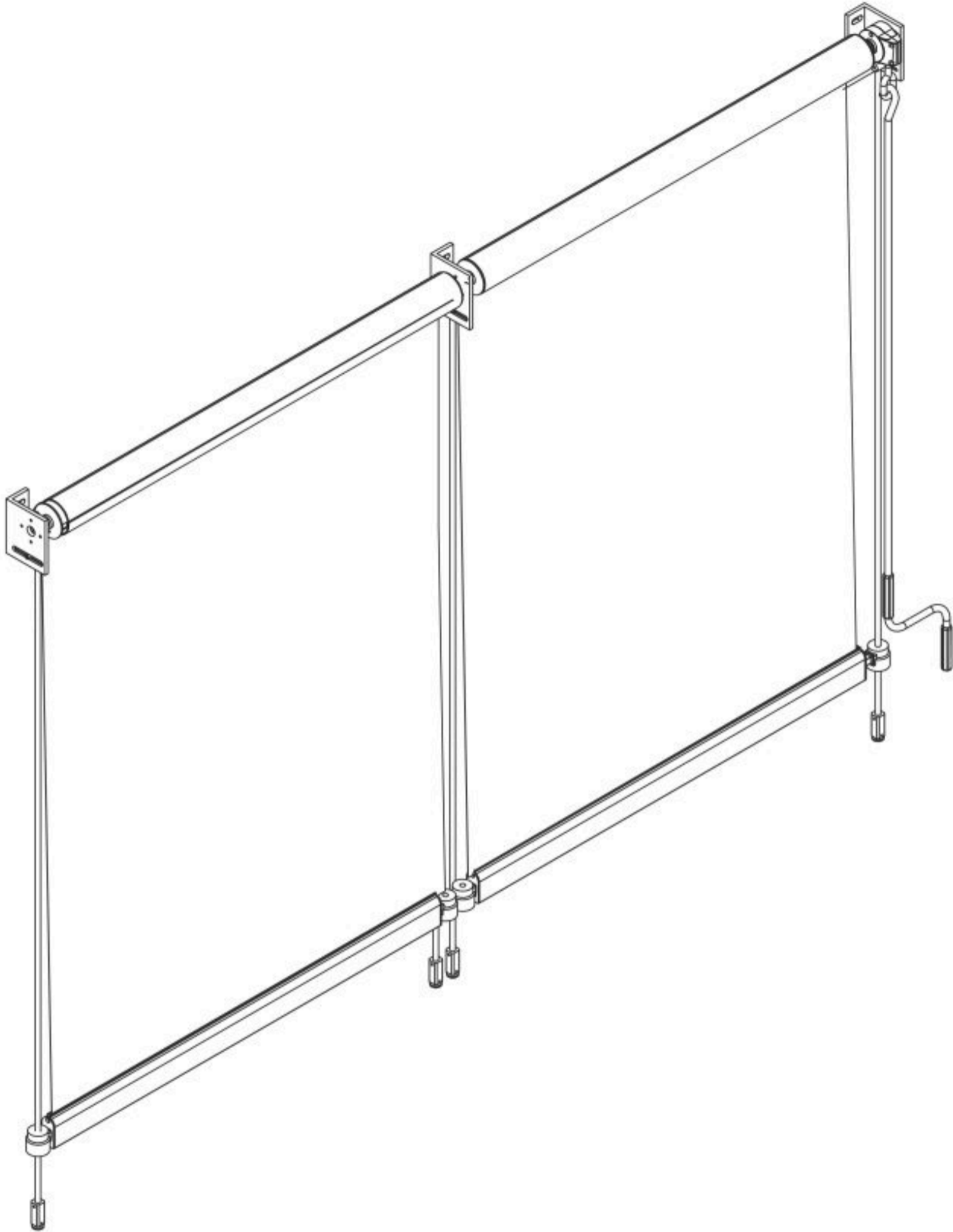




FLEXI 'J'



FLEXI E' F'



FLEXI O'

MANUAL OPERATION



**MOTORIZED DRIVE**

