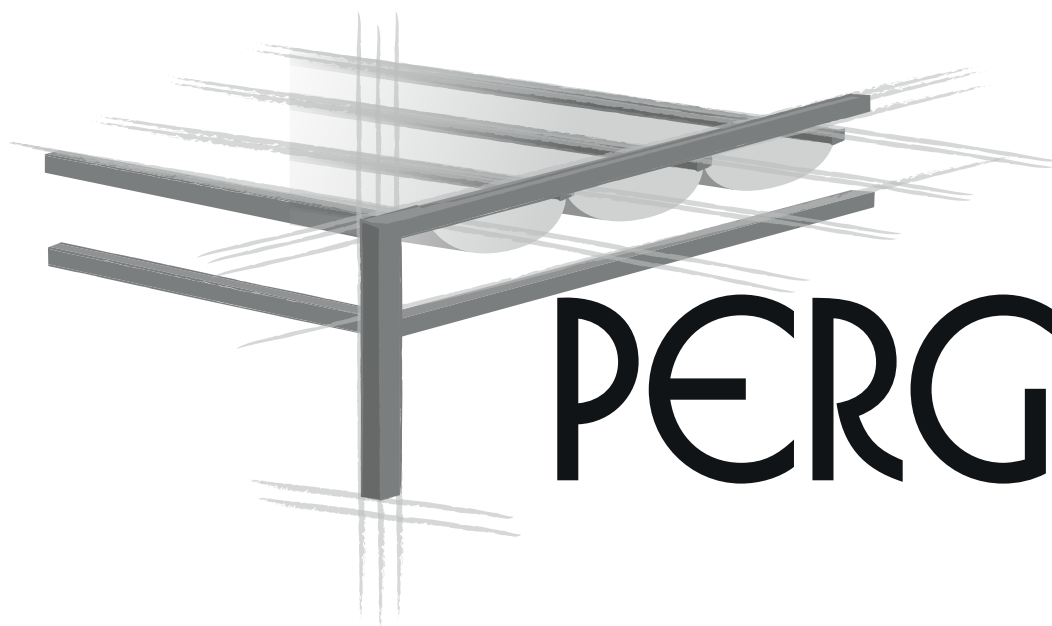
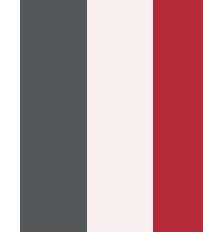




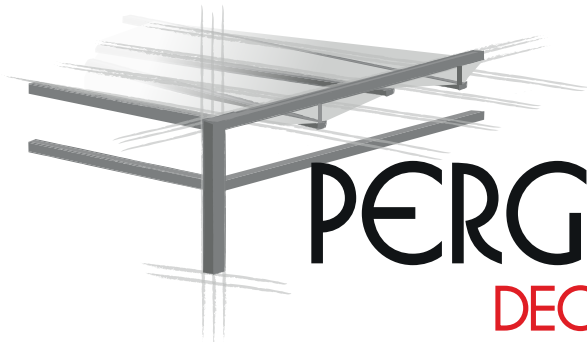
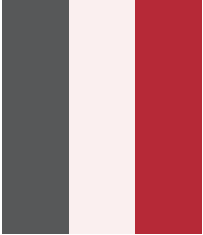
TECHNICAL SHEET  
**PERGOSTAR DECO**

[WWW.TOSCANAGLOBAL.COM](http://WWW.TOSCANAGLOBAL.COM)

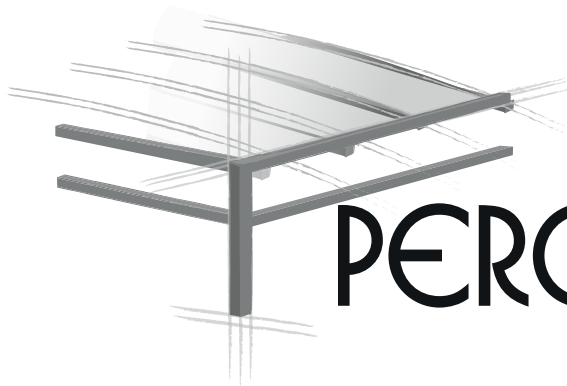


PERGOSTAR

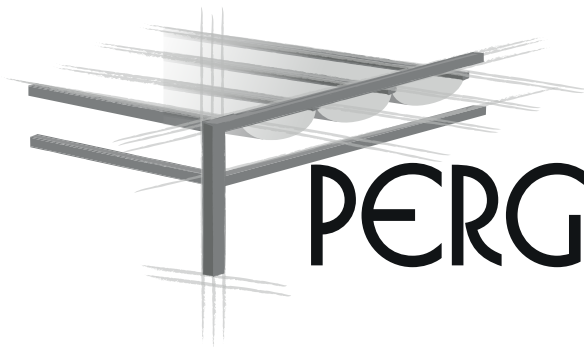
DECO



**PERGOSTAR**  
DECO TENSIONED



**PERGOSTAR**  
DECO ARCHED



**PERGOSTAR**  
DECO WAVY

# PERGOSTAR DECO

## TECHNICAL SHEET

### INDEX

FEATURES	1-2
MAIN EXPLOSION VIEW	3
ANCHORS AND FASTENINGS	4-5
WAVY DECO	6-8
TENSE DECO	9-11
DECO ARCHED	12
MOTORIZATION AND LIGHTING	13-14
ADVANTAGES	15-16
SECURITY SYSTEMS	17-18
TOSCANA DYNAMIC	19-20
TOSCANA STRUCTURE	21



**WARNING**

**THIS CATALOG IS PROTECTED BY INTELLECTUAL PROPERTY RIGHTS.**

Any unauthorized or improper use of its content or images will result in civil and criminal consequences against the offender.

Please note that our products are protected by existing patents and patents pending.

# PERGOSTAR DECO

## FEATURES

Pergostar Deco is a flat pergola, entirely built with aluminum profiles. All its components are assembled through a sophisticated connection system using stainless steel parts, high-strength nylon, and specially designed aluminum profiles to ensure no screws or cables are visible. This pergola is designed to function with a 0-degree slope in its structure. Thanks to its three types of fabric design, it can laterally drain rainwater, making it a perfect option when there is limited installation height. Pergostar Deco guarantees high resistance to severe weather changes and winds up to 80 km/h.

Pergostar Deco, as its name suggests, allows the lateral concealment of the wave or tensioned fabric shapes from our curved and taut Pergostar Romano, enabling the installation of any type of decorative or advertising panel around the perimeter, in materials such as glass, polycarbonate, metal, membranes, etc. This system can be installed in one- or two-module versions.

### FEATURES

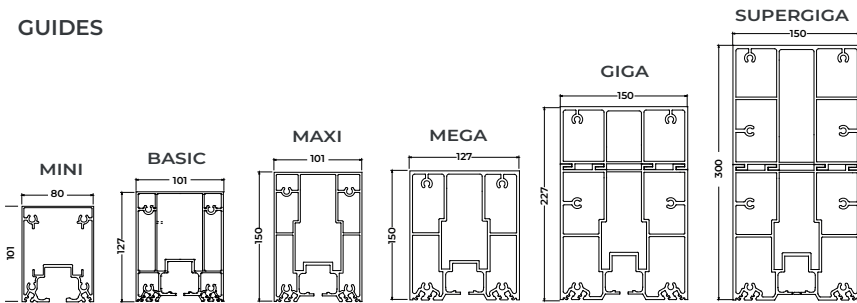
- Structure made of 6063-T5 aluminum profiles
- Finish with electrostatic powder coating or anodized
- Stainless steel screws and fasteners
- Can cover up to 108 m<sup>2</sup> per double module
- Water drainage depending on the type of fabric construction
- Wind resistant up to grade 9 on the Beaufort scale
- Torque motor with Toscana double transmission
- RTS remote control, motor and lighting, with mobile phone option
- All our products are ALL SEASONS™

In addition to hiding the sides of the DECO, it also allows collecting rainwater, channeling it into its perimeter channel beams connected to the posts that support the pergola.

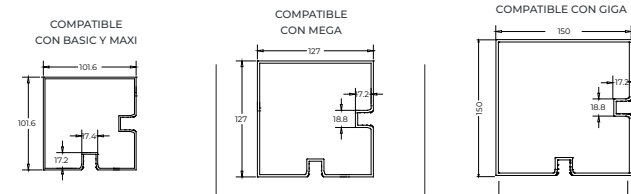
Below the channel beams, glass enclosures such as flexiglass and sliding glass or hermetic curtains such as our flexizipp can be installed, providing a space that can be air-conditioned during the winter with heating and with air conditioning during the summer.

### MAIN PROFILES

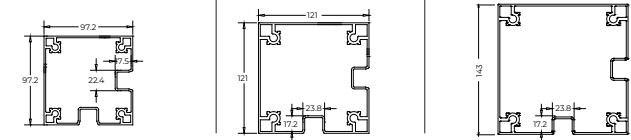
### GUIDES



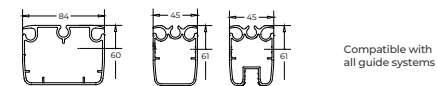
### POST



### CORE - POST



### SLAT SYSTEM



# PERGOSTAR DECO

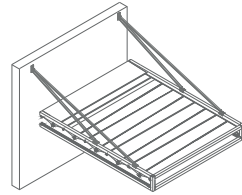
## FEATURES

### TIPOS DE INSTALACIÓN

#### CON TIRANTES

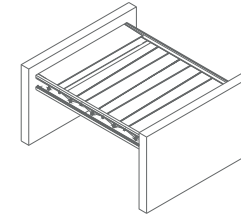
##### 1 TIRANTE POR GUÍA

Salida hasta 4,5 m



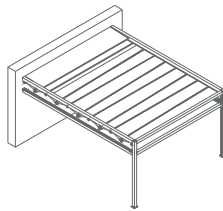
##### 2 TIRANTES POR GUÍA

Salida desde 4,6 m a 6 m



##### ENTRE MUROS

##### CON POSTES

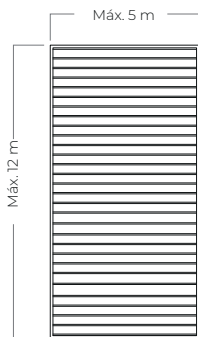


##### AUTOPORTANTE

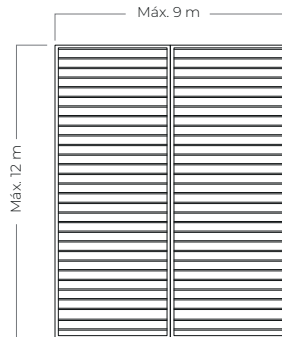


### DIMENSIONES

#### Módulo sencillo



#### Módulo doble

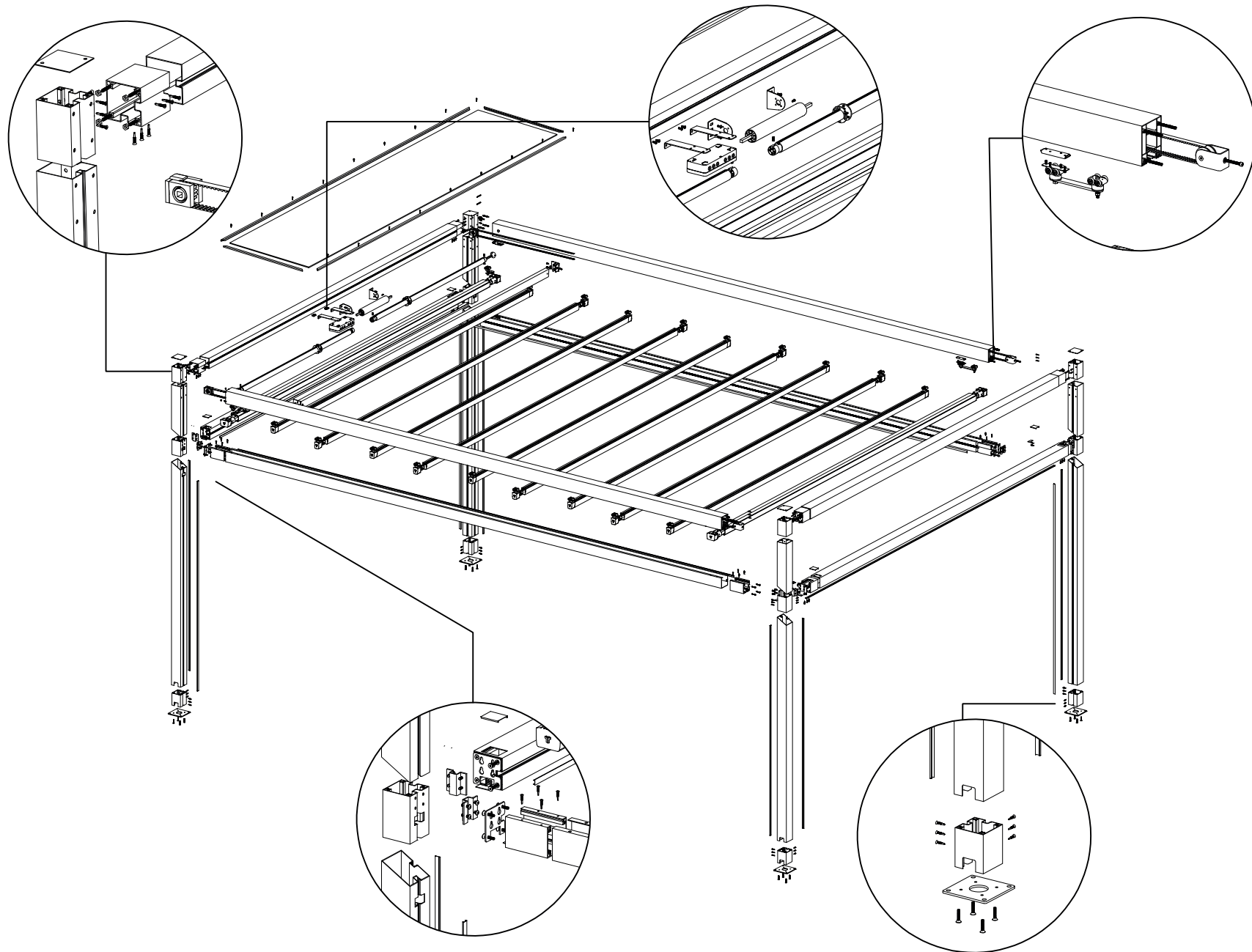


GUÍA	LÍNEA		SALIDA	
	1 módulo	2 módulos	1 módulo	2 módulos
BASIC	2,5 a 5	5 a 9	2,5 a 7	2,5 a 7
MAXI	2,5 a 5	5 a 9	7 a 8	7 a 8
MEGA	2,5 a 5	5 a 9	8 a 9,5	8 a 9,5
GIGA	2,5 a 5	5 a 9	9,5 a 12	9,5 a 12

Nuestro producto estándar resiste hasta 80 km / hora en su mayor extensión (12 m x 5 m sencillo) o (12 m x 9 m para el doble).

# PERGOSTAR DECO

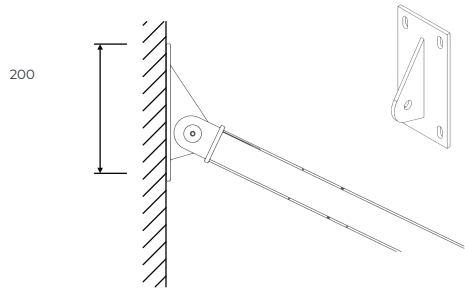
## MAIN EXPLOSION VIEW



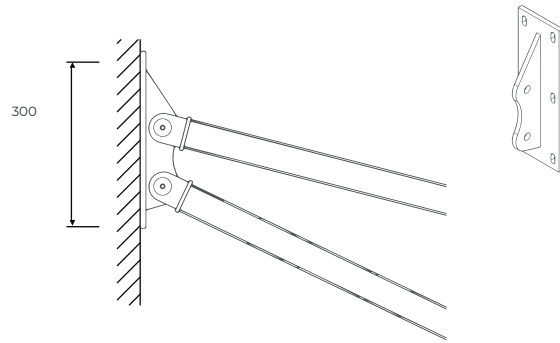
# PERGOSTAR DECO

## ANCHORS AND FASTENINGS

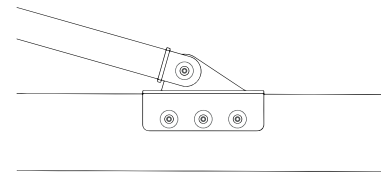
**SIMPLE TIE ROD WALL MOUNT**



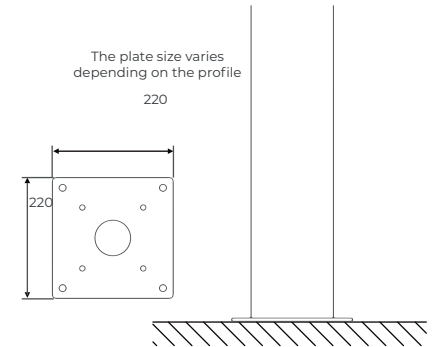
**DOUBLE WALL TIE ROD MOUNT**



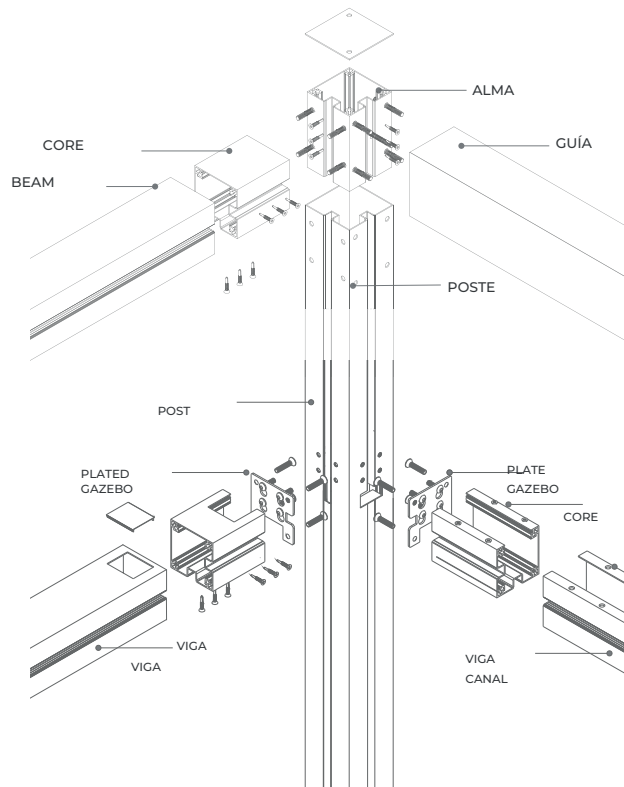
**TIE ROD MOUNT TO GUIDE**



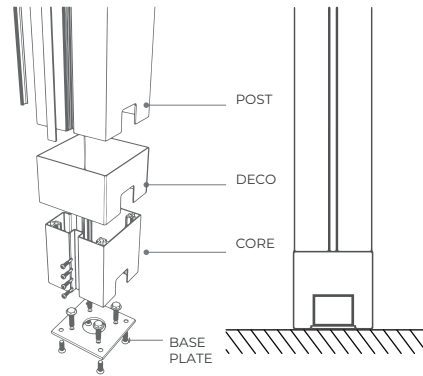
**POST-TO-FLOOR ATTACHMENT WITH STANDARD BASE PLATE**



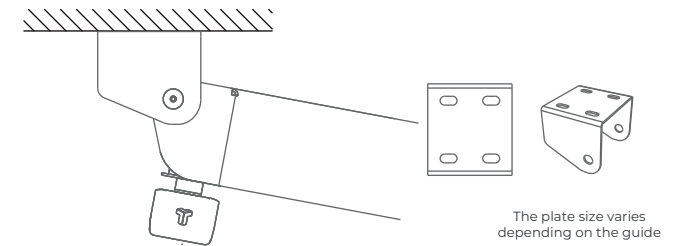
**POST MOUNT TO GUTTER BEAM**



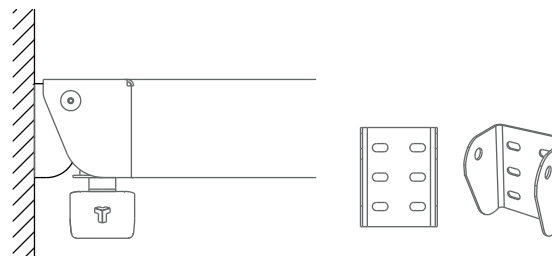
**POST-TO-FLOOR ATTACHMENT WITH LEVELING ANCHOR**



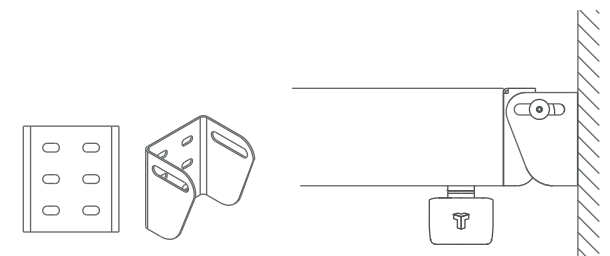
**GUIDE ATTACHMENT TO GUTTER BEAM**



**CEILING GUIDE ATTACHMENT**

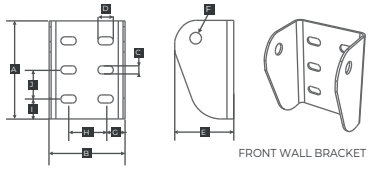


**FRONT WALL ATTACHMENT**



# PERGOSTAR DECO

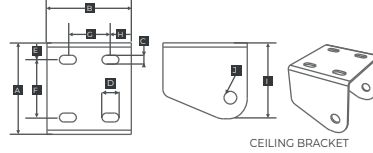
## ANCHORING AND FIXING



FRONT WALL BRACKET

Note: The anchor for the Mini guide has 4 holes; the anchor for the Basic, Maxi, and Mega guides has 6 holes; and the anchor for the Giga guide has 8 holes.

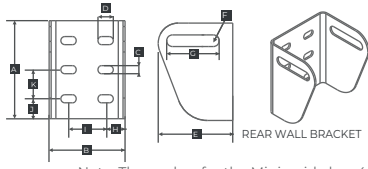
GUIDE	MINI	BASIC	MAXI	MEGA	GIGA
<b>A</b>	3.94	4.78	5.67	5.67	8.46
<b>B</b>	2.68	3.70	3.64	4.65	5.43
<b>C</b>	0.41	0.39	0.41	0.41	0.41
<b>D</b>	0.79	0.75	0.83	0.83	0.83
<b>E</b>	2.01	2.87	4.02	4.02	5.59
<b>F</b>	0.59	0.59	0.59	0.59	0.59
<b>G</b>	0.59	0.98	0.98	1.30	1.38
<b>H</b>	1.26	1.97	1.61	2.05	2.72
<b>I</b>	0.94	0.98	0.98	0.98	0.98
<b>J</b>	2.05	1.42	1.85	1.85	2.17



CEILING BRACKET

Note: The anchor for the Mini guide has 4 holes; the anchor for the Basic, Maxi, and Mega guides has 6 holes; and the anchor for the Giga guide has 8 holes.

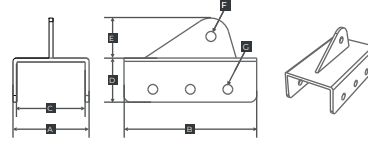
GUIDE	MINI	BASIC	MAXI	MEGA	GIGA
<b>A</b>	3.27	3.27	3.27	5.31	6.30
<b>B</b>	3.94	4.29	4.29	4.29	6.30
<b>C</b>	0.43	0.43	0.43	0.43	0.43
<b>D</b>	0.79	0.79	0.79	0.79	0.79
<b>E</b>	0.79	0.79	0.79	0.79	0.79
<b>F</b>	1.69	2.72	2.72	2.36	2.36
<b>G</b>	2.01	2.01	2.01	2.80	2.80
<b>H</b>	0.98	0.98	0.98	0.98	0.98
<b>I</b>	2.36	3.15	3.54	5.12	5.12
<b>J</b>	0.01	0.01	0.01	0.01	0.01



REAR WALL BRACKET

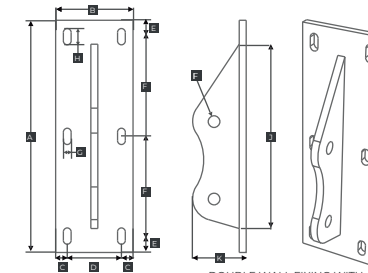
Note: The anchor for the Mini guide has 4 holes; the anchor for the Basic, Maxi, and Mega guides has 6 holes; and the anchor for the Giga guide has 8 holes.

GUIDE	MINI	BASIC	MAXI	MEGA	GIGA
<b>A</b>	3.82	4.78	5.67	5.67	8.70
<b>B</b>	3.41	4.29	4.41	5.31	6.61
<b>C</b>	0.41	0.40	0.41	0.41	0.41
<b>D</b>	0.85	0.79	0.83	0.83	0.83
<b>E</b>	2.85	3.66	3.94	3.62	4.72
<b>F</b>	0.57	0.57	0.59	0.59	0.59
<b>G</b>	1.87	2.58	2.58	2.60	2.60
<b>H</b>	0.98	1.26	1.26	1.18	1.38
<b>I</b>	1.50	1.81	1.93	2.87	3.86
<b>J</b>	0.83	0.98	0.98	0.98	1.10
<b>K</b>	2.17	1.42	2.91	1.85	2.17



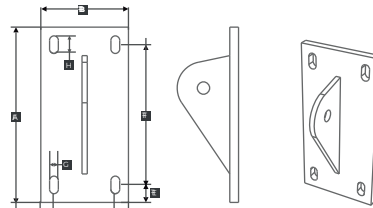
RAIL TO TIE ROD FIXING

GUIDE	MINI	BASIC	MAXI	MEGA	GIGA
<b>A</b>	3.70	4.53	N/A	N/A	N/A
<b>B</b>	5.91	7.87	N/A	N/A	N/A
<b>C</b>	3.23	4.06	N/A	N/A	N/A
<b>D</b>	2.64	2.64	N/A	N/A	N/A
<b>E</b>	2.36	2.36	N/A	N/A	N/A
<b>F</b>	0.59	0.59	N/A	N/A	N/A
<b>G</b>	0.59	0.59	N/A	N/A	N/A



DOUBLE WALL FIXING WITH TIE ROD

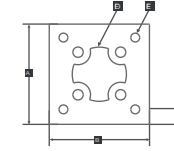
GUIDE	MINI	BASIC	MAXI	MEGA	GIGA
<b>A</b>	11.81	11.81	N/A	N/A	N/A
<b>B</b>	3.94	3.94	N/A	N/A	N/A
<b>C</b>	0.59	0.59	N/A	N/A	N/A
<b>D</b>	2.76	2.76	N/A	N/A	N/A
<b>E</b>	0.75	0.75	N/A	N/A	N/A
<b>F</b>	5.12	5.12	N/A	N/A	N/A
<b>G</b>	0.39	0.39	N/A	N/A	N/A
<b>H</b>	0.79	0.79	N/A	N/A	N/A
<b>I</b>	0.59	0.59	N/A	N/A	N/A
<b>J</b>	9.45	9.45	N/A	N/A	N/A
<b>K</b>	2.68	2.68	N/A	N/A	N/A



SINGLE WALL FIXING WITH TIE ROD

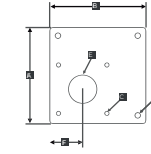
GUIDE	MINI	BASIC	MAXI	MEGA	GIGA
<b>A</b>	7.87	7.87	N/A	N/A	N/A
<b>B</b>	3.94	3.94	N/A	N/A	N/A
<b>C</b>	0.59	0.59	N/A	N/A	N/A
<b>D</b>	2.76	2.76	N/A	N/A	N/A
<b>E</b>	0.59	0.59	N/A	N/A	N/A
<b>F</b>	6.32	6.32	N/A	N/A	N/A
<b>G</b>	0.41	0.41	N/A	N/A	N/A
<b>H</b>	0.79	0.79	N/A	N/A	N/A
<b>I</b>	0.59	0.59	N/A	N/A	N/A
<b>J</b>	5.51	5.51	N/A	N/A	N/A
<b>K</b>	2.60	2.60	N/A	N/A	N/A

GUIDE	MINI	BASIC	MAXI	MEGA	GIGA
<b>A</b>	3.15	4.00	4.00	4.76	5.63
<b>B</b>	3.15	4.00	4.00	4.76	5.63
<b>C</b>	0.50	0.56	0.56	0.65	0.63
<b>D</b>	1.57	2.17	2.17	2.17	2.17
<b>E</b>	0.26	0.33	0.33	0.49	0.49



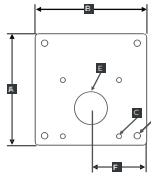
LEVELING FLOOR ANCHOR

GUIDE	MINI	BASIC	MAXI	MEGA	GIGA
<b>A</b>	4.72	5.91	5.91	7.87	8.66
<b>B</b>	4.72	5.91	5.91	7.87	9.84
<b>C</b>	0.26	0.33	0.33	0.42	0.41
<b>D</b>	0.41	0.51	0.51	0.51	0.51
<b>E</b>	2.05	2.56	2.56	3.01	3.01
<b>F</b>	1.63	2.09	2.09	2.58	3.17



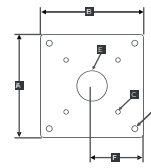
CORNER FLOOR ANCHOR (LEFT OR RIGHT)

GUIDE	MINI	BASIC	MAXI	MEGA	GIGA
<b>A</b>	4.72	5.91	5.91	7.87	8.66
<b>B</b>	6.30	7.87	7.87	9.06	9.84
<b>C</b>	0.26	0.33	0.33	0.41	0.41
<b>D</b>	0.51	0.51	0.51	0.51	0.51
<b>E</b>	2.05	2.56	2.56	3.01	3.01
<b>F</b>	3.15	3.94	3.94	4.53	4.92

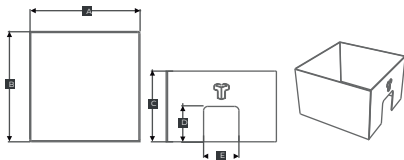


FLOOR-TO-WALL ANCHOR

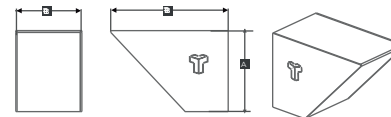
GUIDE	MINI	BASIC	MAXI	MEGA	GIGA
<b>A</b>	4.72	5.91	5.91	7.87	8.66
<b>B</b>	4.72	5.91	5.91	7.87	8.66
<b>C</b>	0.26	0.33	0.33	0.41	0.41
<b>D</b>	0.41	0.51	0.51	0.51	0.51
<b>E</b>	2.05	2.56	2.56	3.01	3.01
<b>F</b>	2.36	2.95	2.95	3.94	4.33



CENTERED FLOOR ANCHOR



GUIDE	MINI	BASIC	MAXI	MEGA	GIGA
<b>A</b>	4.72	5.91	5.91	7.87	8.66
<b>B</b>	4.72	5.91	5.91	7.87	8.66
<b>C</b>	0.26	0.33	0.33	0.41	0.41
<b>D</b>	0.41	0.51	0.51	0.51	0.51
<b>E</b>	2.05	2.56	2.56	3.01	3.01



GUIDE	MINI	BASIC	MAXI	MEGA	GIGA
<b>A</b>	4.72	5.91	7.87	8.66	9.13
<b>B</b>	4.72	5.91	7.87	8.66	9.33
<b>C</b>	0.33	4.17	4.17	5.20	6.10

# PERGOSTAR DECO

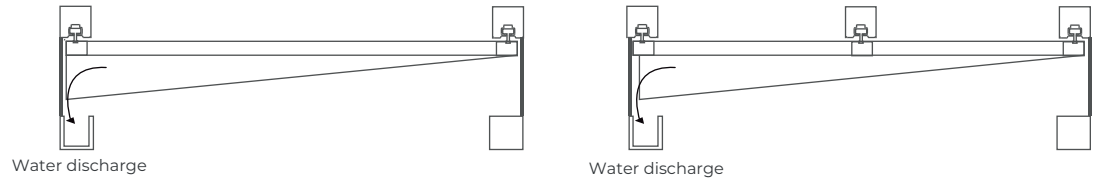
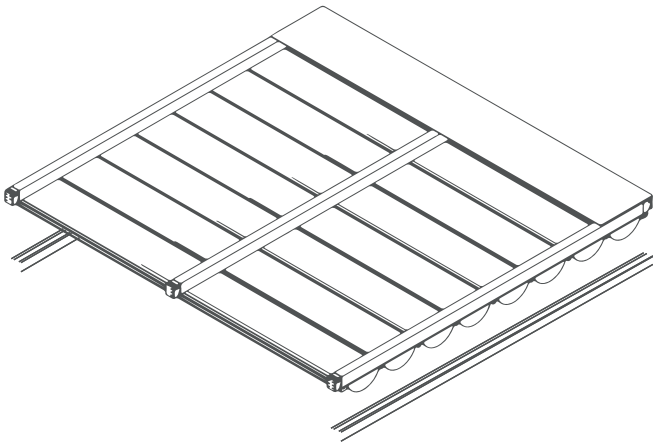
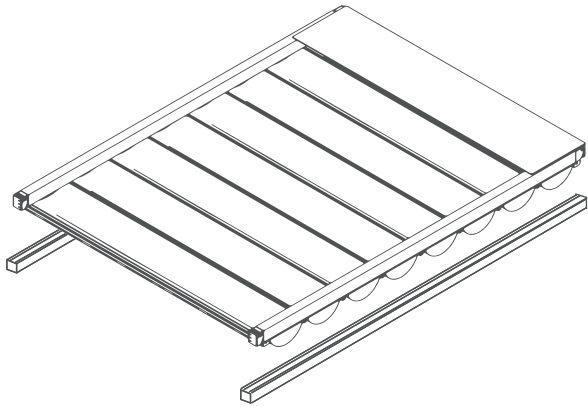
WAVY



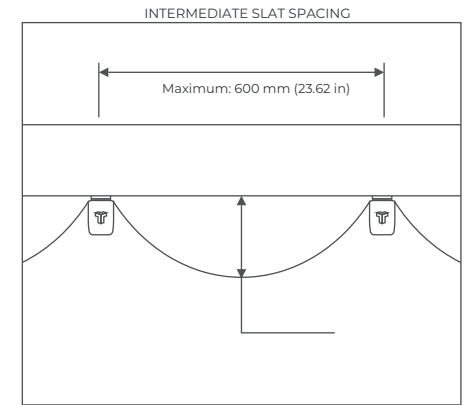
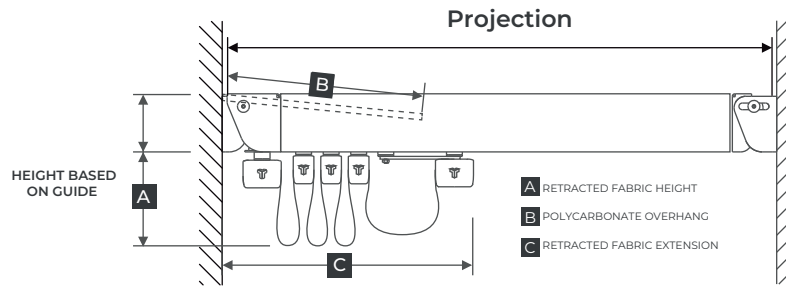
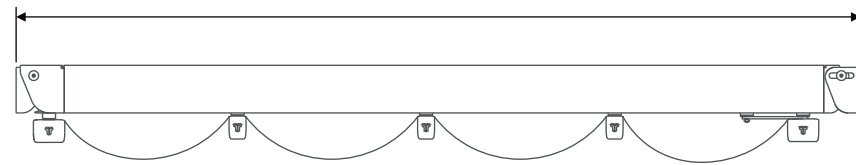
# SINGLE-SLOPE FABRIC

Tensioned fabric on one side and loose on the other

Curved trapezoidal fabrication  
(Water discharge lateral der. o izq.)



Projection



LINE IN (in)

	98.43	118.11	137.80	157.48	177.17	196.85	216.54	236.22	255.91	275.59	295.28	314.96	334.65	354.33
THICKNESS	3.94	4.72	5.51	6.30	7.09	7.87	8.66	9.45	10.24	11.02	11.42	12.60	13.39	14.17
<b>A</b>	11.81	12.60	12.99	13.39	13.78	14.17	14.96	15.75	16.54	17.32	18.11	18.90	19.29	19.69

3 Guides

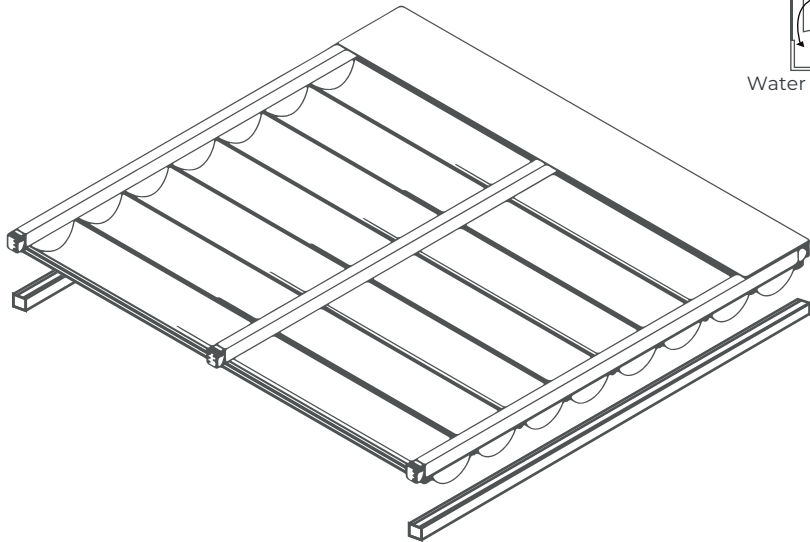
4 Guides

PERGOLA PROJECTION IN (in)

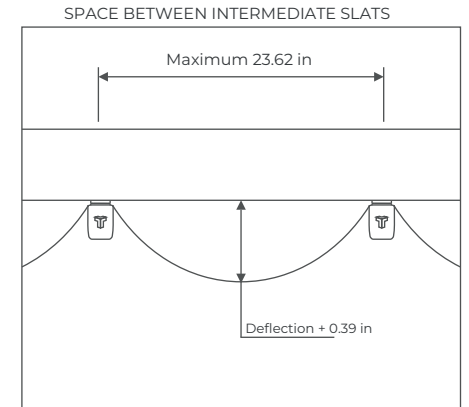
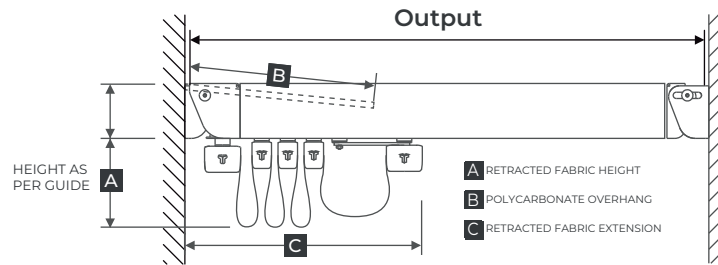
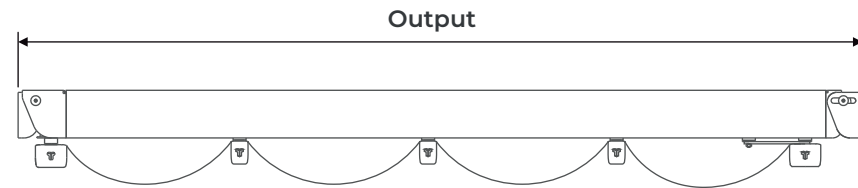
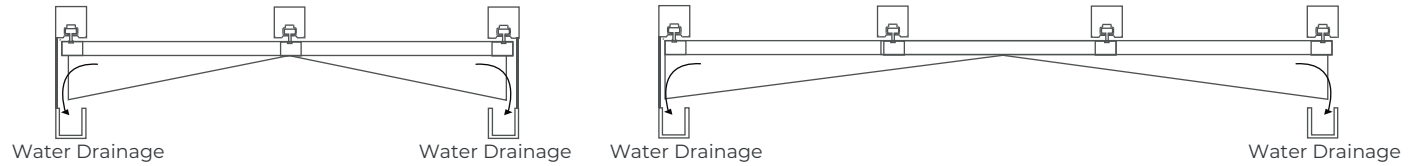
GUIDE	MINI 101	BASIC 127	MAXI 150	MEGA 150	GIGA 227						
ROOF	78.74	118.11	157.48	196.85	236.22	275.59	314.96	374.02	393.70	433.07	472.44
<b>B</b>	22.44	25.98	30.71	35.04	37.40	41.73	47.64	51.97	56.30	60.63	64.96
<b>C</b>	16.54	20.08	24.80	29.13	33.07	37.40	41.73	46.06	50.39	54.72	59.06

# DOUBLE-SLOPE FABRIC

Tensioned at the center and relaxed at both ends



Bow-tie stitching  
(Water discharge lateral der. e izq.)



LINE IN (in)

	98.43	118.11	137.80	157.48	177.17	196.85	216.54	236.22	98.43	118.11	137.80	157.48	177.17	196.85	216.54	236.22	236.22
THICKNESS	3.94	4.72	5.51	6.30	7.09	7.87	8.66	9.45	3.94	4.72	5.51	6.30	7.09	7.87	8.66	9.45	9.45
A	11.81	12.60	12.99	13.39	13.78	14.17	14.96	15.75	11.81	12.60	12.99	13.39	13.78	14.17	14.96	15.75	15.75

2 Guides

3 Guides

PERGOLA PROJECTION IN (in)

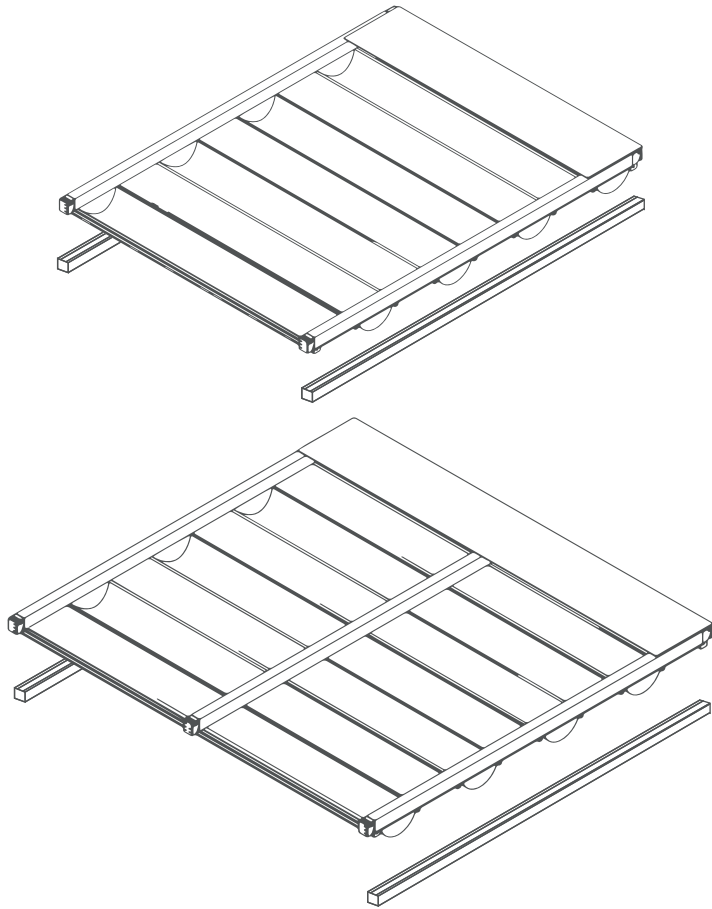
GUIDE	MINI 101		BASIC 127	MAXI 150	MEGA 150	GIGA 227				
ROOF	118.11	157.48	196.85	236.22	275.59	314.96	374.02	393.70	433.07	472.44
B	25.98	30.71	35.04	37.40	41.73	47.64	51.97	56.30	60.63	64.96

# PERGOSTAR DECO

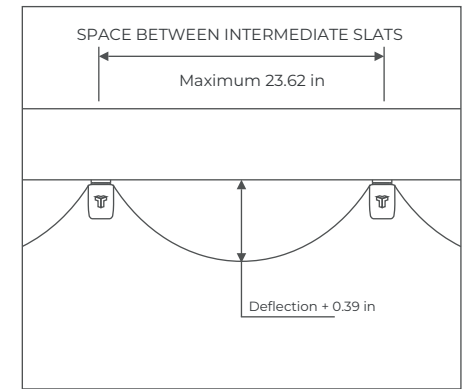
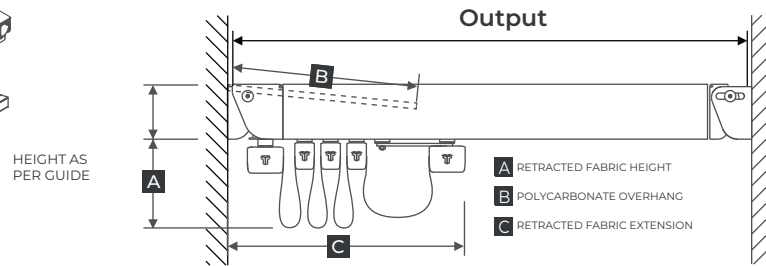
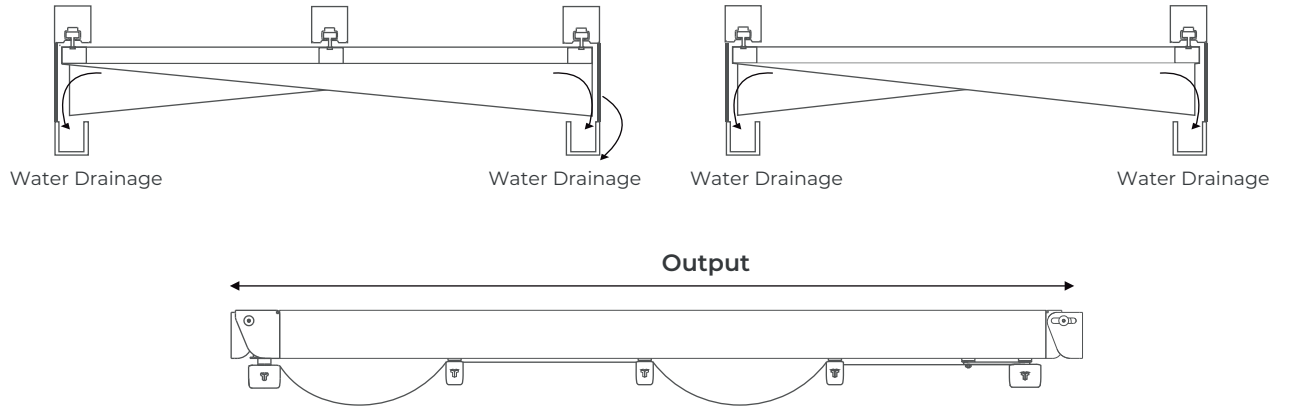
WAVY

## PRISMATIC FABRIC

Tensioned fabric at one end and loose at the other, alternating.



Trapezoidal Stitching  
(Alternating lateral water drainage.)



	LINE IN (in)													
THICKNESS	98.43	118.11	137.80	157.48	177.17	196.85	216.54	236.22	255.91	275.59	295.28	314.96	334.65	354.33
A	3.94	4.72	5.51	6.30	7.09	7.87	8.66	9.45	10.24	11.02	11.42	12.60	13.39	14.17
	11.81	12.60	12.99	13.39	13.78	14.17	14.96	15.75	16.54	17.32	18.11	18.90	19.29	19.69

2 Guides

3 Guides

### PERGOLA PROJECTION IN (in)

GUIDE	MINI 101		BASIC 127		MAXI 150	MEGA 150	GIGA 227				
ROOF	<b>78.74</b>	<b>118.11</b>	<b>157.48</b>	<b>196.85</b>	<b>236.22</b>	<b>275.59</b>	<b>314.96</b>	<b>374.02</b>	<b>393.70</b>	<b>433.07</b>	<b>472.44</b>
B	22.44	25.98	30.71	35.04	37.40	41.73	47.64	51.97	56.30	60.63	64.96
C	16.54	20.08	24.80	29.13	33.07	37.40	41.73	46.06	50.39	54.72	59.06

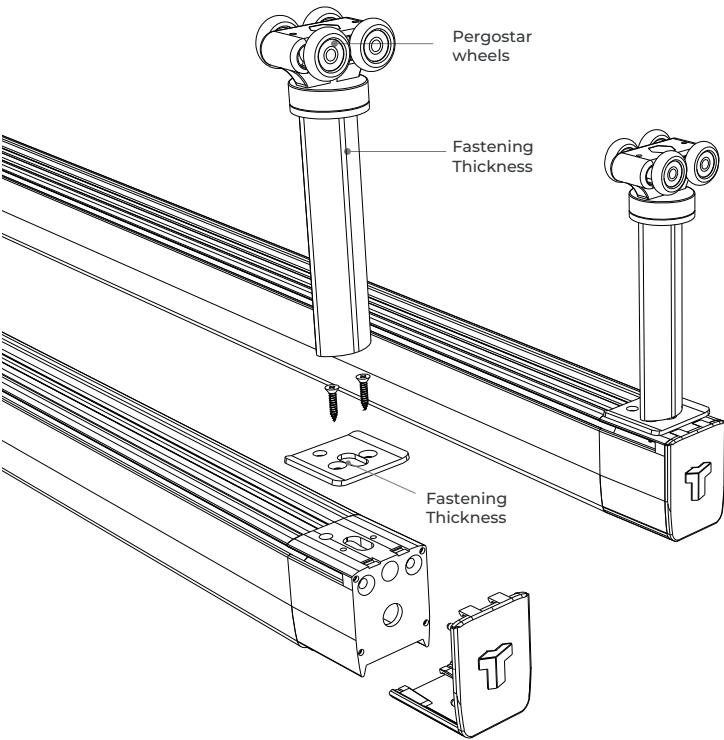
# PERGOSTAR DECO

TENSE



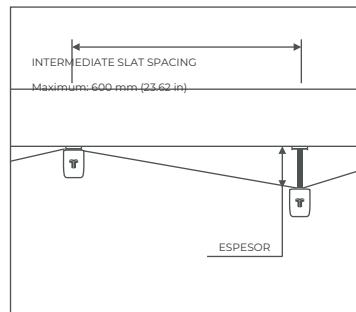
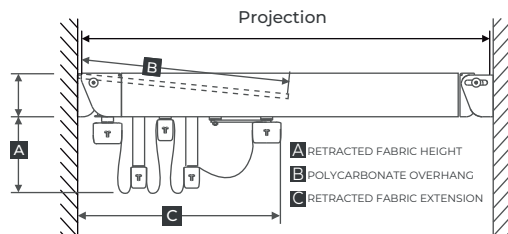
# PERGOSTAR DECO

TENSE



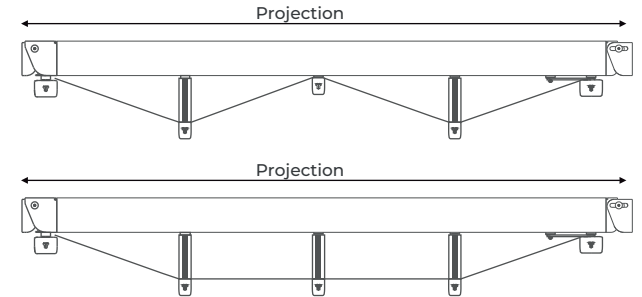
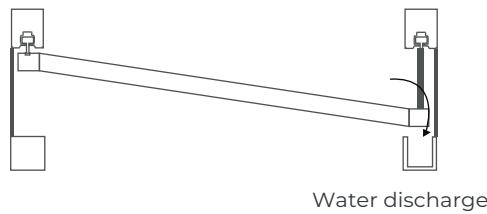
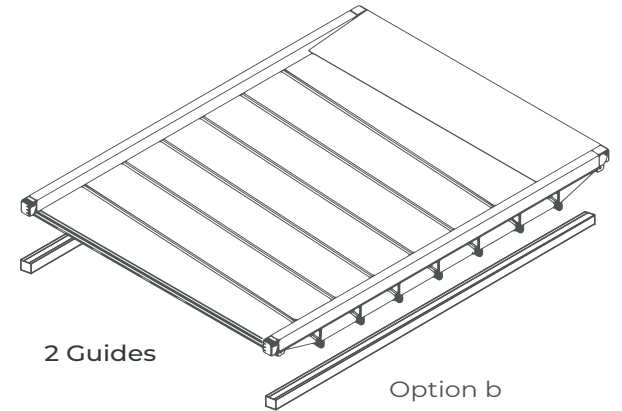
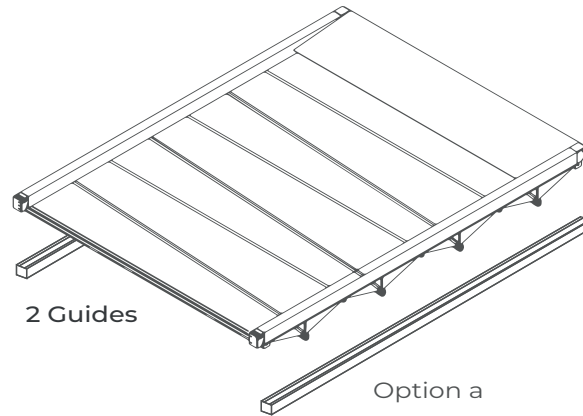
## TENSIONED ROOF

Thanks to the addition of our thickness profile, we can create a roof with multiple geometric variations, achieving a clean and tensioned fabric design.



## SINGLE-SLOPE FABRIC

Tensioned fabric with a slope on the beams at one side.

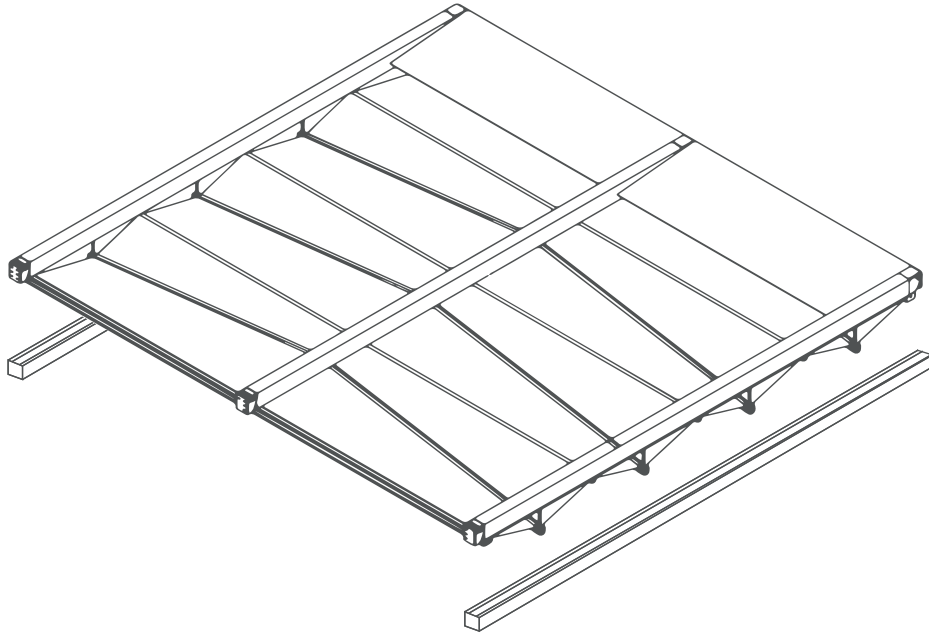


LINE IN (in)						
THICKNESS	98.43	118.11	137.80	157.48	177.17	196.85
<b>A</b>	4.33	5.51	6.69	4.33	4.33	4.33
	10.24	11.02	12.20	10.24	10.24	10.24

PERGOLA PROJECTION IN (in)											
GUIDE	MINI 101				BASIC 127		MAXI 150	MEGA 150		GIGA 227	
ROOF	78.74	118.11	157.48	196.85	236.22	275.59	314.96	374.02	393.70	433.07	472.44
<b>B</b>	22.44	25.98	30.71	35.04	37.40	41.73	47.64	51.97	56.30	60.63	64.96
<b>C</b>	16.54	20.08	24.80	29.13	33.07	37.40	41.73	46.06	50.39	54.72	59.06

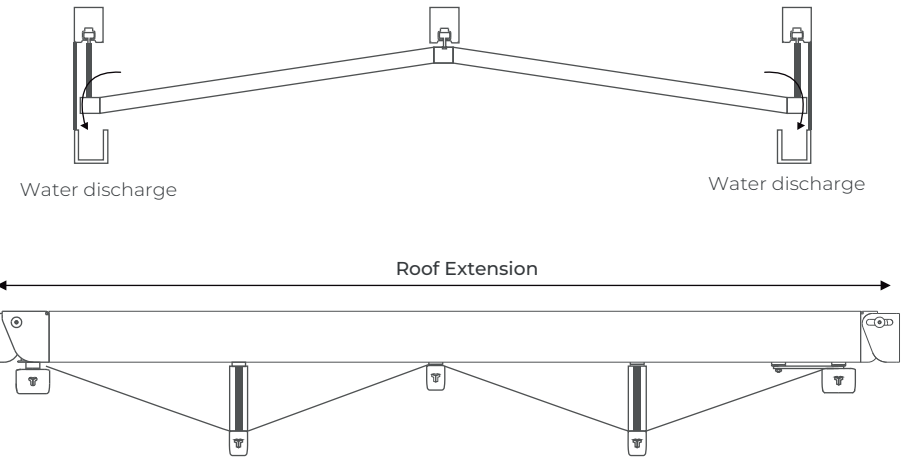
# DOUBLE-SLOPE FABRIC

Tensioned fabric with slope on the beams at both sides

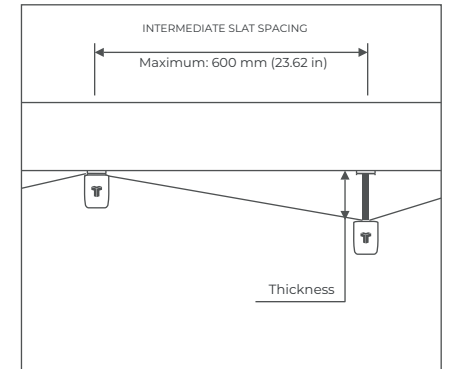
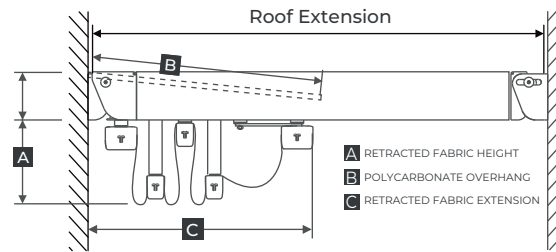


## 3 Guides

Note: In the three-guide system, slight wrinkling of the fabric may be observed near the central guide during retraction.



Height as per Guide

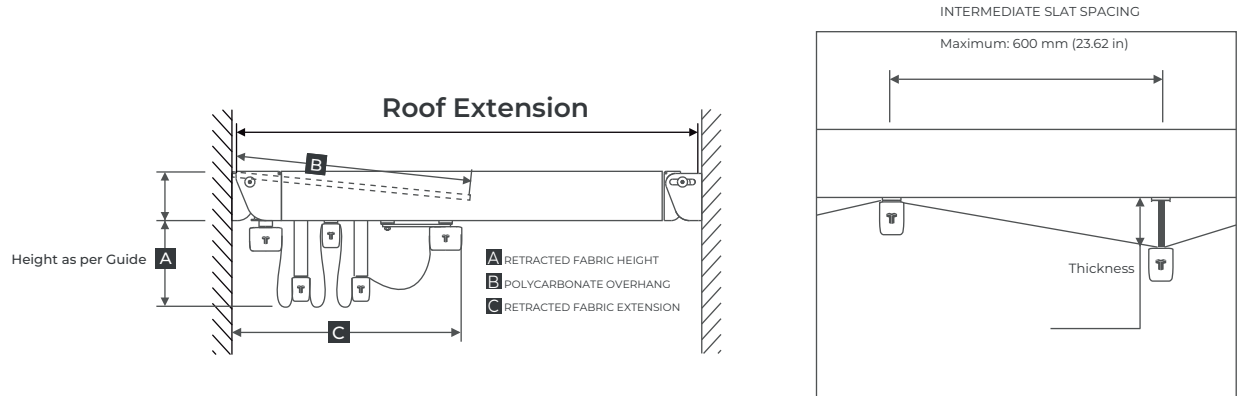
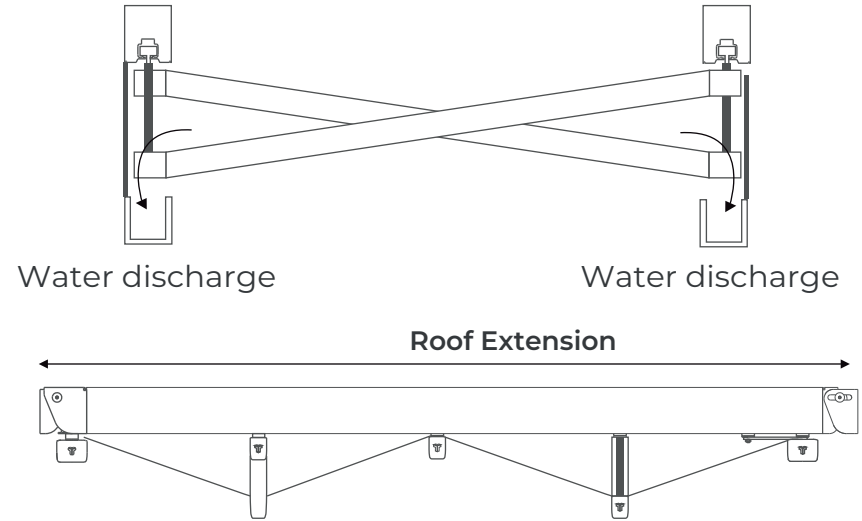
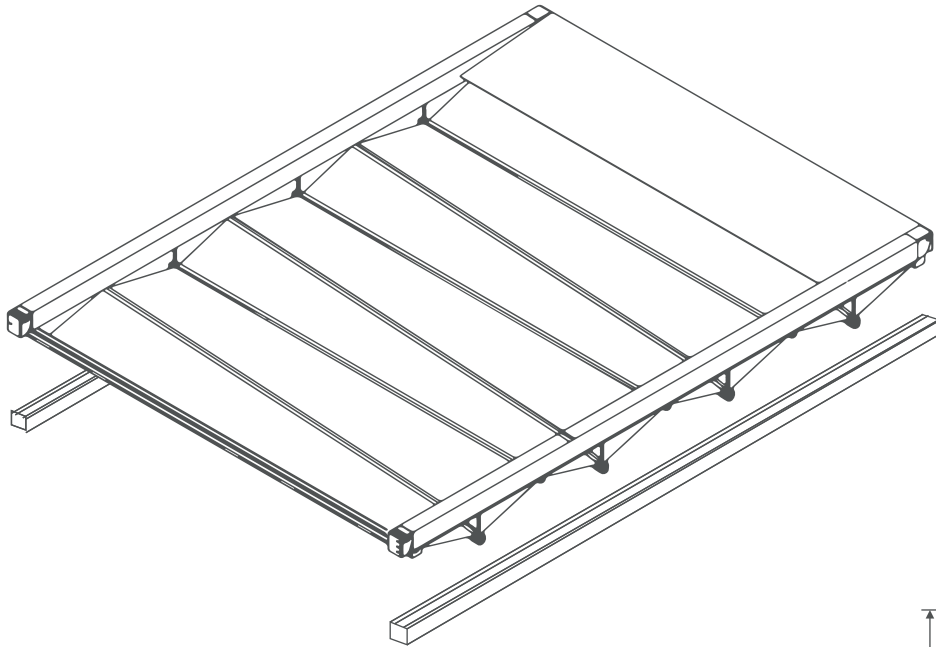


	LINE IN (in)						
THICKNESS	216.54	236.22	255.91	275.59	295.28	334.65	354.33
<b>A</b>	5.51	5.51	6.69	6.69	4.33	5.51	5.51
	11.02	11.02	12.20	12.20	10.24	11.02	11.02
	3 Guides						

GUIDE	PERGOLA PROJECTION IN (in)										
	MINI 101	BASIC 127	MAXI 150	MEGA 150	GIGA 227						
ROOF	78.74	118.11	157.48	196.85	236.22	275.59	314.96	374.02	393.70	433.07	472.44
<b>B</b>	22.44	25.98	30.71	35.04	37.40	41.73	47.64	51.97	56.30	60.63	64.96
<b>C</b>	16.54	20.08	24.80	29.13	33.07	37.40	41.73	46.06	50.39	54.72	59.06

# PRISMATIC FABRIC

Tensioned fabrics with slopes on alternating slats.



	LINE IN (in)					
THICKNESS	98.43	118.11	137.80	157.48	177.17	196.85
<b>A</b>	4.33	5.51	6.69	4.33	4.33	4.33
	10.24	11.02	12.20	10.24	10.24	10.24

	PERGOLA PROJECTION IN (in)										
GUIDE	MINI 101			BASIC 127		MAXI 150	MEGA 150	GIGA 227			
ROOF	<b>78.74</b>	<b>118.11</b>	<b>157.48</b>	<b>196.85</b>	<b>236.22</b>	<b>275.59</b>	<b>314.96</b>	<b>374.02</b>	<b>393.70</b>	<b>433.07</b>	<b>472.44</b>
<b>B</b>	22.44	25.98	30.71	35.04	37.40	41.73	47.64	51.97	56.30	60.63	64.96
<b>C</b>	16.54	20.08	24.80	29.13	33.07	37.40	41.73	46.06	50.39	54.72	59.06

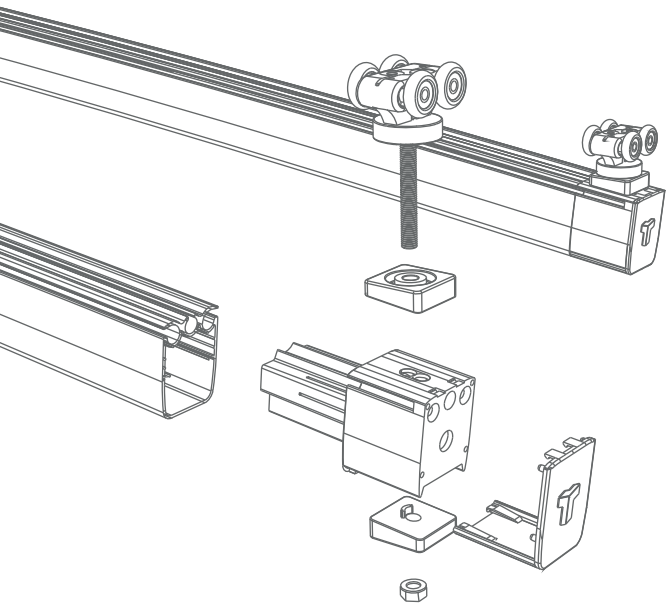
# PERGOSTAR DECO

ARCHED



# FABRIC ARCHED

Tunnel-type tensioned fabric



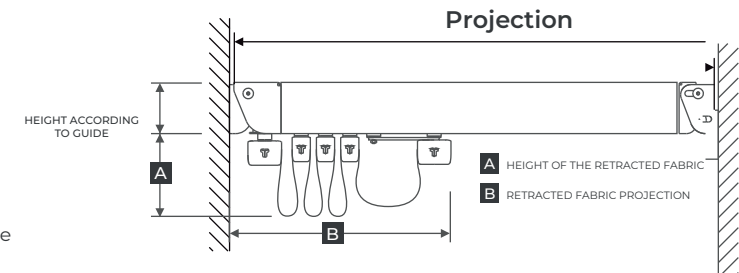
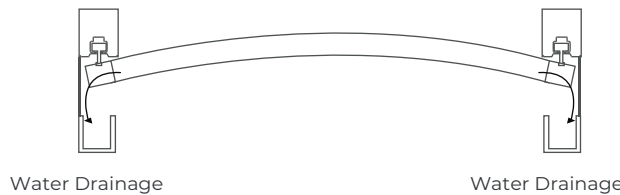
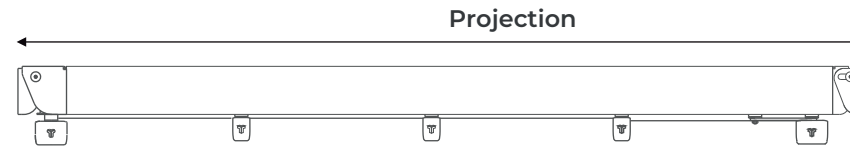
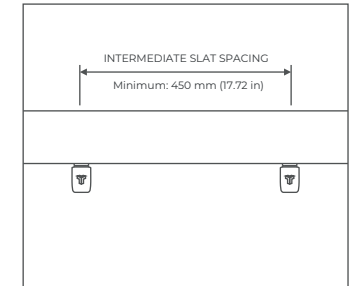
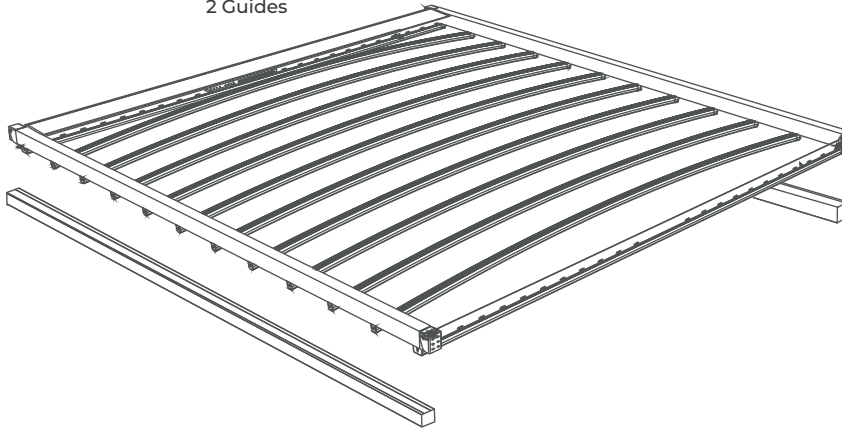
## Arched Cover

Thanks to the addition of supplements in the slats, we can create an arched cover, achieving a clean tunnel-like design.

THICKNESS	98.4	118.1	137.8	157.48	177.2	196.9
<b>A</b>	11.8	12.6	13.0	4.33	13.8	14.2

2 Guides

2 Guides



### PERGOLA PROJECTION IN (in)

GUIDE	MINI 101		BASIC 127		MAXI 150	MEGA 150	GIGA 227				
<b>ROOF</b>	196.85	236.22	157.5	196.9	236.2	275.6	315.0	374.0	393.7	433.1	472.4
<b>B</b>	29.13	33.07	24.8	29.1	33.1	37.4	41.7	46.1	50.4	54.7	59.1

# PERGOSTAR DECO

## ILUMINACIÓN Y MOTORIZACIÓN

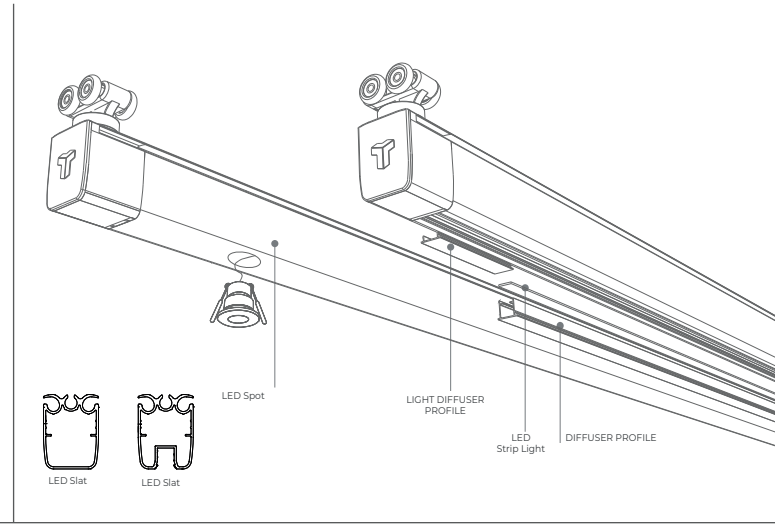
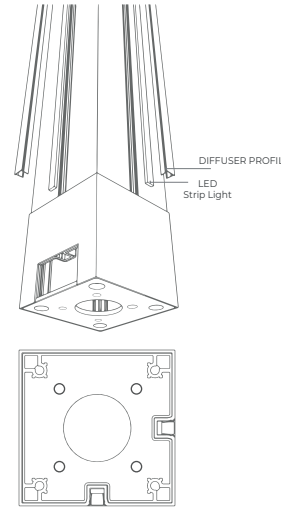
Pergostar DECO features an LED lighting system, which can be installed in the slat profiles to illuminate the cover. This can be done using LED strips or spot bulbs. It can be installed on the front and rear beams to achieve perimeter lighting, as well as on the posts. Thanks to the design of the translucent diffuser profile, it is possible to create continuous lines of light, providing an elegant and modern finish. The lighting can be white or RGB, allowing you to change the color of the light.



LIGHTING LED WHITE

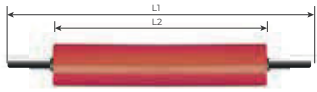


LIGHTING RGB - RGBW



## MOTOR

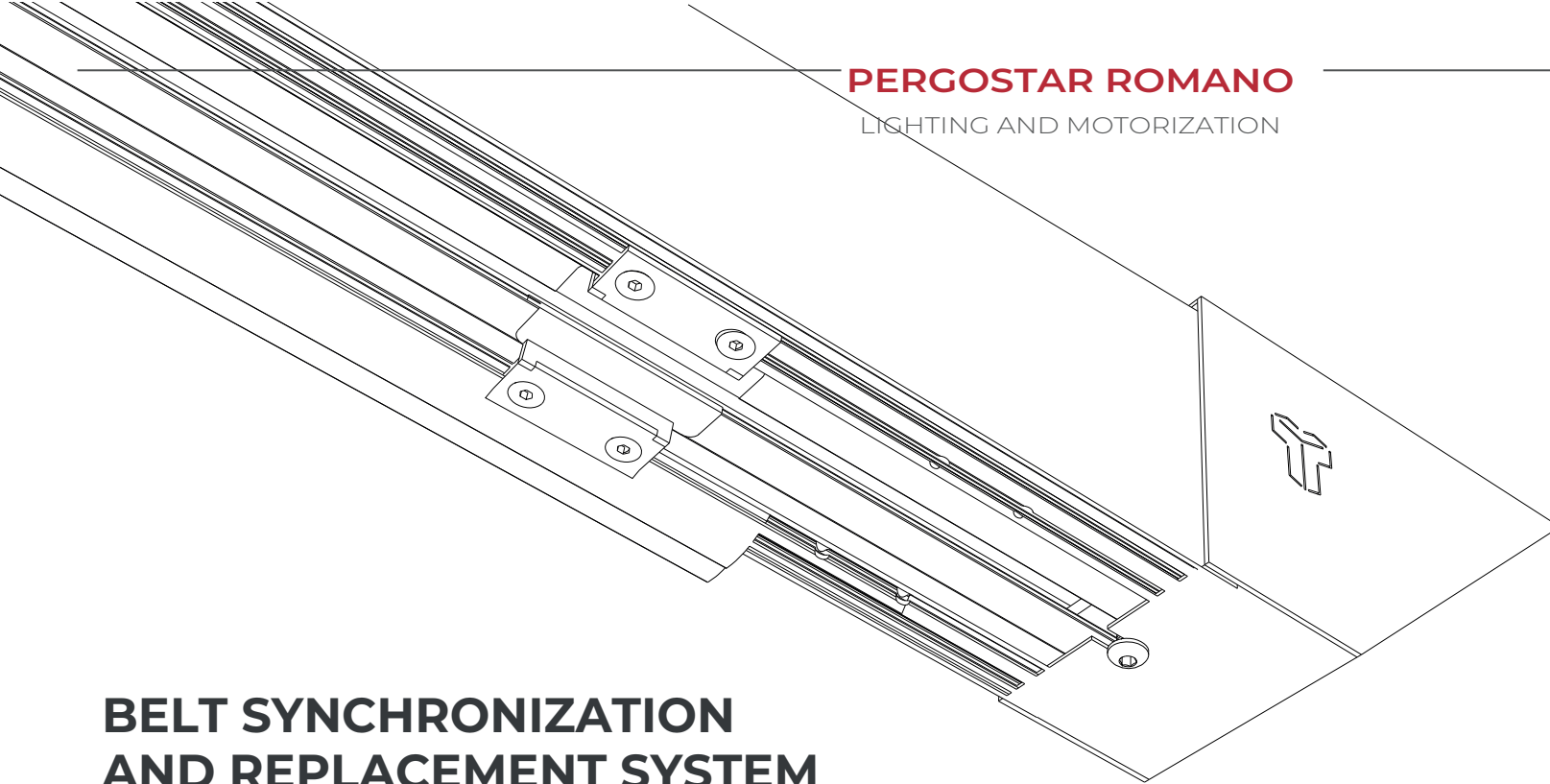
Our pergolas are equipped with a motor exclusive to the Toscana brand, featuring dual drive and torque shafts. This design ensures constant and maximum tension on the fabric when extended, effectively preventing any water pooling.



	Rated Torque (Nm)	Rated Speed (Rpm)	Rated Current (A)	Rated Power (W)	Degree Of Protection (IP)	Maximum Limit Turn (turn)	Running Time (min)	Working Temperature (°C)	L1/L2 (mm)	Certification
<b>230V / 50Hz</b>										
DV64E   DV64E-2x25/26	2x25	26	2.22	490	IP44	∞	>4	-10°C-50°C	545/411	CE
<b>120V / 60Hz</b>										
DV64E   DV64E-2x25/32	2x25	32	4.58	550	IP44	∞	>4	-10°C-50°C	545/411	

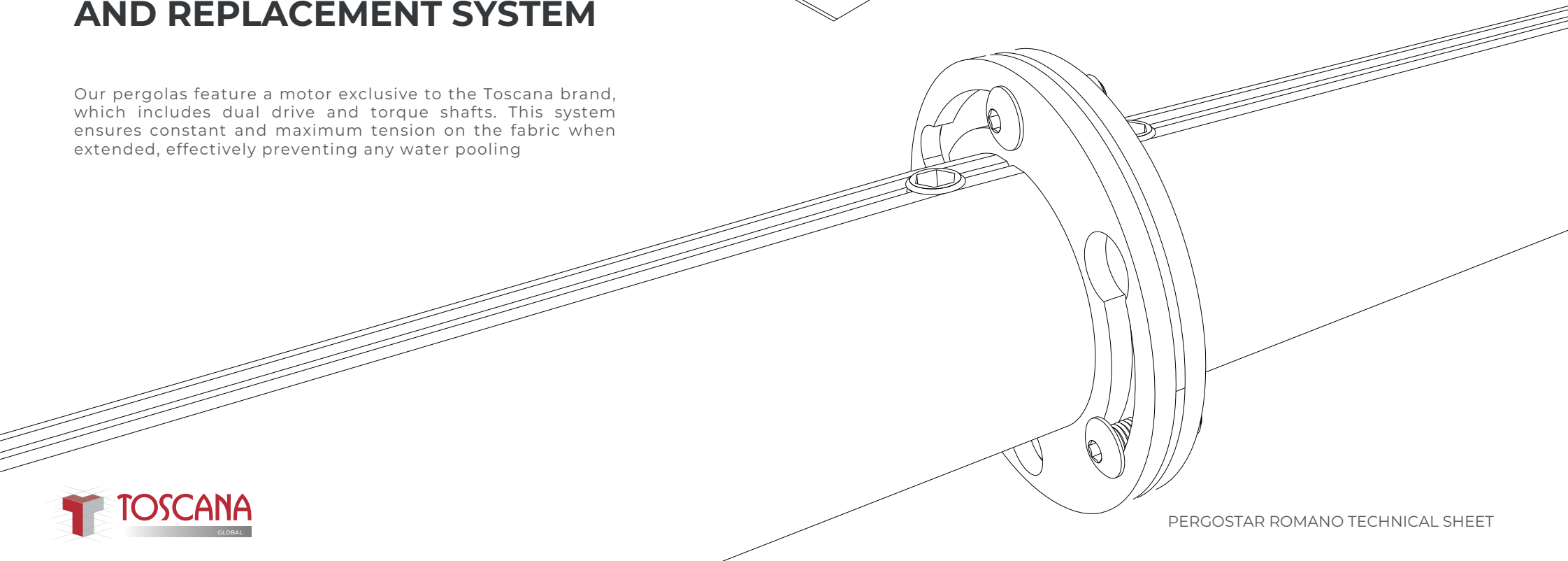


**REMOTE CONTROL**  
Controls up to 15 motors, allows dimming, color changing, and the on/off control of up to 4 circuits.



## **BELT SYNCHRONIZATION AND REPLACEMENT SYSTEM**

Our pergolas feature a motor exclusive to the Toscana brand, which includes dual drive and torque shafts. This system ensures constant and maximum tension on the fabric when extended, effectively preventing any water pooling

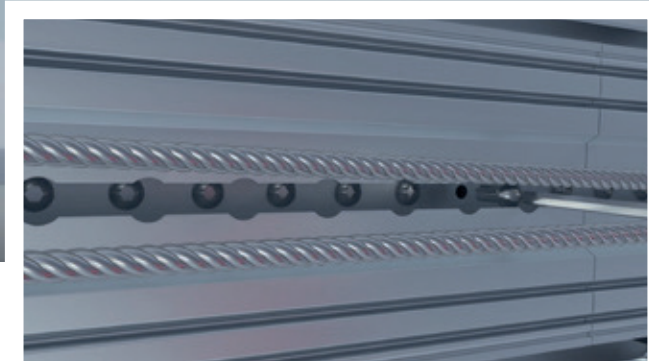
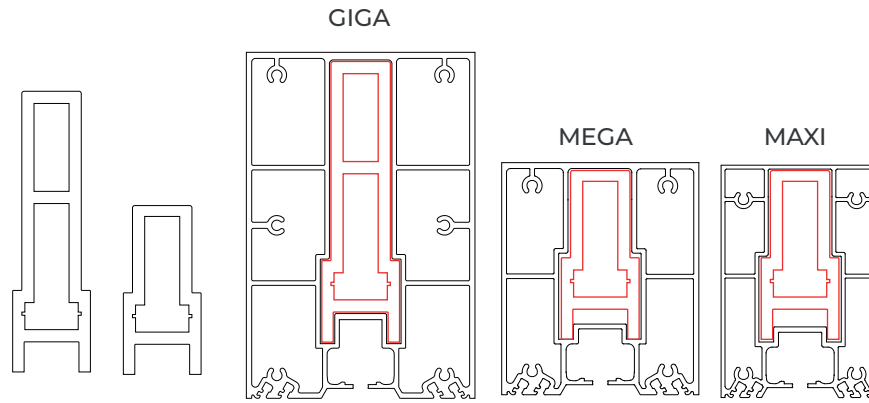


### GUIDE PROFILE JOINT

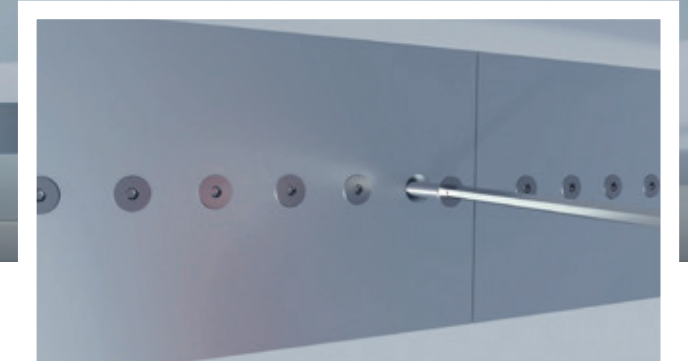
To facilitate the transport and lifting of the guide profiles to upper floors, they were designed to be joined on-site.

The operation is very simple and ensures optimal mechanical strength. The rail will arrive pre-drilled with the joining profile screwed on one side and ready to install the other part on the opposite side.

If desired, a winch with its clamps will be provided to assist with the assembly of the two profiles.



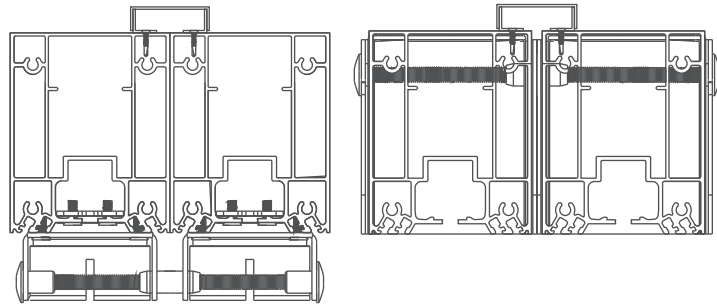
BOTTOM VIEW JOINT



TOP VIEW JOINT

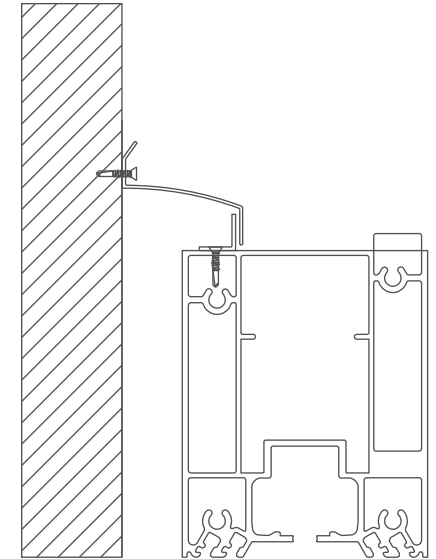
### GUIDE OVERLAP

In Pergodon Classic, it is possible to place two pergolas side by side to achieve greater coverage lengths. For this purpose, we use a joining system with a double piece that allows both rails to be screwed together with a single bolt, preventing separation caused by the thickness of the screw heads. Additionally, at the top joint of the two rails, we use three overlapping profiles to prevent water leakage at the connection—these profiles consist of two angles and one U-profile.



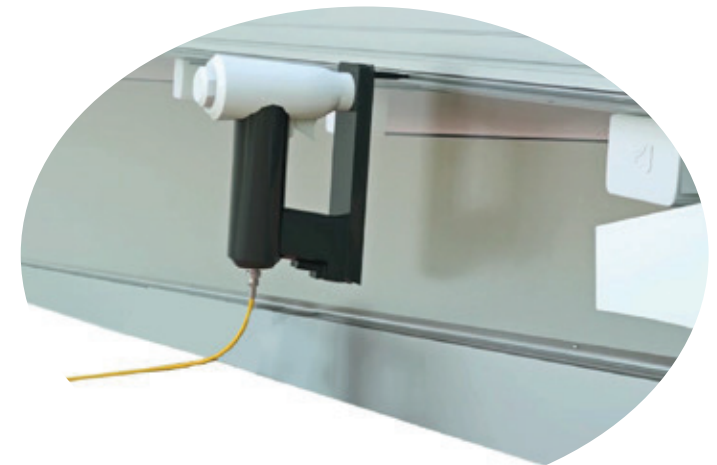
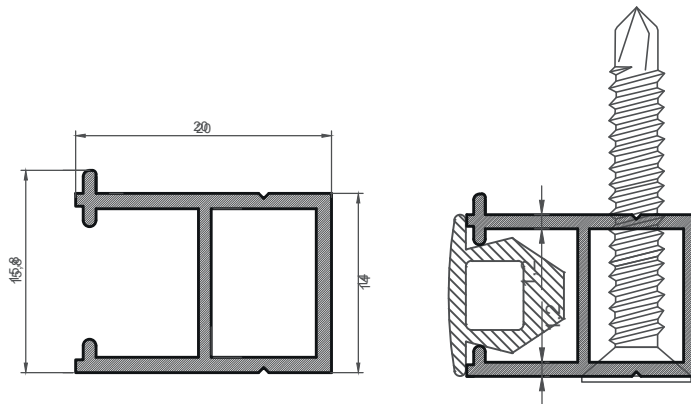
### WALL FLASHING

In PERGOSTAR DECO, there are cases where the pergola may be enclosed by side walls, requiring lateral waterproofing to prevent water entry. For this reason, we have designed the Wall Flashing Profile to cover this gap without having to attach the flashing directly to the rail, thus avoiding silicone detachment caused by the pergola's normal movement. This connection uses a wall flashing profile and an aluminum angle.



### SIDE COVERS

Toscana offers an innovative, easy-to-install system that requires only a small compressor, a pneumatic stapler, and stainless steel staples. The universal profile — “Toscana frame profile” — is designed with a slim structure that allows it to be used on both straight and curved shapes, as it bends by hand pressure when being screwed onto the frame of the element to be covered. A video is provided to clearly demonstrate the process. *mostrando con claridad.*



## PERGOSTAR DECO

SECURITY SYSTEM

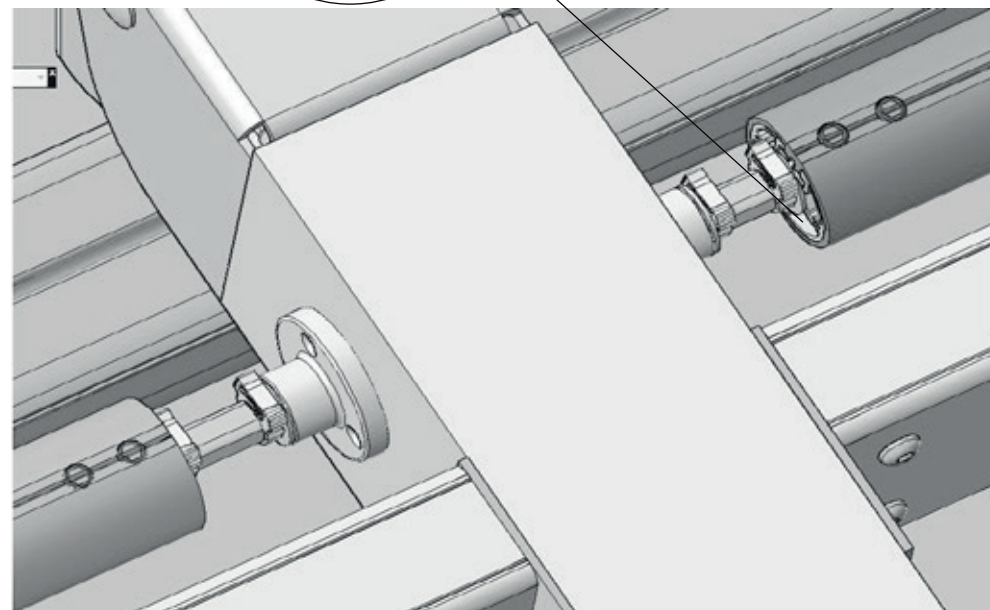


## OPTIONAL SAFETY SYSTEM

The PERGOSTAR DECO features a motor drive shaft that functions as a fuse, preventing the belt from snapping by breaking the shaft first as a safety measure. Replacing a shaft costs only about 5% of the value of a belt.

Our sophisticated mechanical system allows for belt replacement without the need to lower the slats, eliminating the need for one person per rail and simplifying it to just one person per pergola, regardless of its size. Additionally, a safety clamp is used to secure the shaft and prevent the transmission tube from moving, avoiding disconnection due to vibration.

Our pergolas are equipped with a sophisticated electronic system located in the lower large slat, which detects any transmission issues caused by a broken belt or shaft. This system automatically stops the pergola to prevent further damage.



## PERGOSTAR ROMANO

SECURITY SYSTEM



### OPTIONAL SAFETY SYSTEM

In case of strong winds, if the pergola is equipped with a weather station, it will close automatically to prevent potential damage.

In the event of a fire, if equipped with a fire detector, the pergola and the curtains will close automatically.

If there is snowfall and the pergola is equipped with a snow sensor, it will close automatically if it is not heated and the temperature underneath does not exceed 15°C (59°F).

In the event of a prolonged power outage, our pergola can be equipped with a small 500-watt / 1000VA UPS protected in an IP65-rated box, hidden next to the motor, which allows for a single opening and closing operation.

If full operation of the pergola is desired, a more powerful UPS (power to be calculated with an expert) can be installed on the pergola's electrical supply line, inside the building and outside the pergola due to its size.



## TOSCANA DYNAMIC

To enjoy a great experience by giving the user control of multiple functions at their fingertips through their mobile device.

### Advantages

Every Toscana pergola in the world can be controlled through Toscana Dynamic, providing the following functions:



## CONTROL AND COMMAND DEVICES

The pergola can be controlled through:



### TOSCANA DYNAMIC APP

Our app is available on Google Play Store and App Store for Android and iOS devices.



### GOOGLE HOME AND ALEXA ASSISTANTS

Control the pergola using voice commands with Google Home and Amazon Alexa assistants.



### REMOTE CONTROL

In case of an internet outage, the pergola can be operated using the remote control. A single remote can manage multiple Toscana Dynamic units.



### BUTTON CONTROL

In the event of both internet and radio frequency failure, a physical button can be connected to open and close the pergola.



### WEB (QR)

Allows full control of the pergola without the need to download the app on your mobile device or computer.



### OTHER HOME AUTOMATION SYSTEMS

The Toscana Dynamic Smart Hub can be connected to any other home automation system available on the market.

# PERGOSTAR DECO

TOSCANA DYNAMIC

## LIGHTING

Up to 4 lighting channels can be managed for the pergola, allowing switching on/off, dimming, and color selection of W (white), RGB, RGBW lights, and spotlights.



## SCENES

Create different scenarios by combining all pergola options, defining how, when, and for how long each element will operate.



## VIDEO

You can connect any IP video camera and view it through our app.



## INFRARED

Control any device within the pergola using our integrated infrared remote control — for example:



- Televisions
- Sound systems
- Air conditioners
- Heaters

## INFRARED

You will be able to control the opening and closing of the entire pergola, as well as the perimeter enclosures, if the client so desires.



## SENSORS

As a protection system, temperature and belt breakage sensors are included to help prevent mechanical failures that could damage the pergola. Optionally, clients may add specialized sensors to provide enhanced protection under extreme weather conditions:



### Weather Station

Includes an anemometer, rain gauge, hygrometer, wind direction sensor, and is powered by a solar panel with a backup battery in case weather conditions prevent solar charging.

### Smoke Detector

An alarm that detects the presence of smoke in the air and emits an acoustic signal warning of a fire hazard. Operates via RF (radio frequency).

### Snow Sensor

Measures the snow accumulation height on the pergola in millimeters. Additionally, the app allows you to review a historical log showing how long the snow remained and when it fell.



### PRODUCT RATING BASED ON PRECIPITATION

COLOR	INTENS.(mm/h)*	TYPE OF PRECIPITATION	PRODUCT RATING
Red	Greater than 250	Large hail	
Orange	Greater than 250	Torrential rain with hail	
Yellow	100 to 250	Torrential rain with possible hail	
Light Yellow	40 to 100	Very heavy to torrential rain	
Green	16 to 40	Heavy rain	✓
Light Green	6.5 to 16	Moderate rain	
Dark Green	1 to 2.5	Light rain	
Cyan	2.5 to 6.5	Slight rain	
Blue	0.4 to 1	Very slight rain	
Dark Blue	0.1 to 0.4	Trace of precipitation	

1 mm of precipitation is equivalent to 1 liter per square meter (1 l/m<sup>2</sup>).

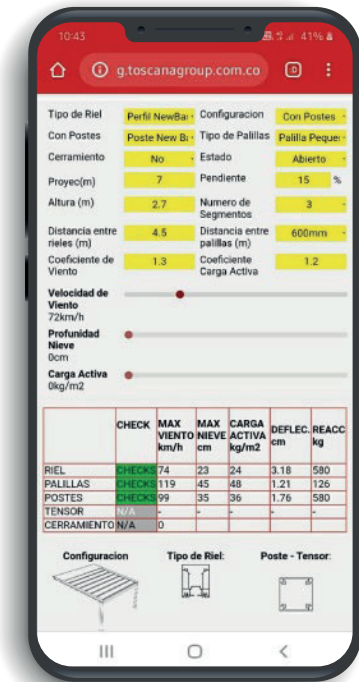
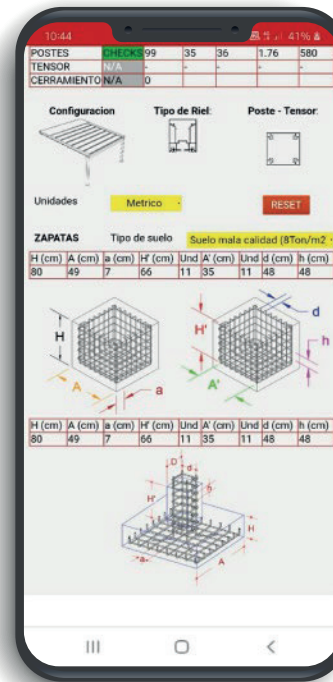
In case a weather station is available, if rainfall exceeds 40 mm/h, the pergola's gutter may overflow and cause flooding inside.

### PRODUCT RATING ACCORDING TO WIND RESISTANCE

COLOR	WIND RESISTANCE ACCORDING TO STANDARD EN 13561	BEAUFORT SCALE	WIND	KM/H	PRODUCT RATING
Black	>6	12	Hurricane	118 +	
Purple	>6	11	Storm	103 / 117	
Red	>6	10	Gale	89 / 102	
Orange	6	9	Strong Gale	75 / 88	✓
Yellow	5	8	Near Gale	62 / 74	
Light Yellow	4	7	Strong Breeze	50 / 61	
Green	3	6	Moderate Breeze	39 / 49	
Light Green	2	5	Fresh Breeze	29 / 38	
Dark Green	1	4	Gentle Breeze	20 / 28	
Cyan	0	3	Light Breeze	12 / 19	
Blue	0	2	Light Air	6 / 11	
Dark Blue	0	1	Very Light Air	1 / 5	
Black	0	0	Calm	0 / 1	



With our Toscana Structure app, we can design and calculate the ideal pergola in minutes, based on the client's desired wind and snow loads. It also automatically provides the technical specifications for the concrete base required to anchor the posts to the ground.





BY

**SPATIO**®

TERRAZA BIOCLIMÁTICA

[www.spatio.cl](http://www.spatio.cl) - [comercialdominguez.cl](http://comercialdominguez.cl)

Gerónimo de Alderete 1303, Vitacura

Phone: +56 2 2717 7005