



## PERGOSLIDE TEXTILE

Acoustic privacy

### PERGOSLIDE TEXTILE

The Pergoslide Textile is the perfect solution for your outdoor spaces. With a retractable structure, this pergola adapts to various

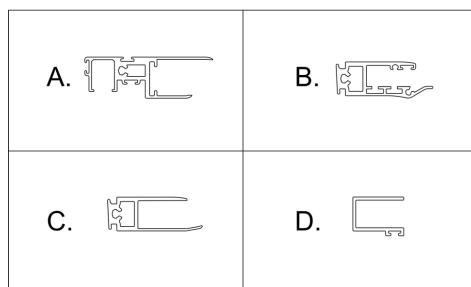
architectural configurations. Its true strength lies in its customizable options, from translucent PVC options to blackout fabrics that guarantee complete UV protection.

It ensures privacy thanks to the quality of the fabric used, creating an intimate and sheltered environment. Its retractable design with a 10% incline optimizes rainwater drainage, ensuring the structure remains functional and free of accumulation.

In addition, it is designed to withstand adverse weather conditions, thanks to its highly durable materials. The canvases are treated with anti-mold and fade-resistant technology, ensuring a long lifespan without sacrificing their aesthetic appeal.

## TECHNICAL CHARACTERISTICS

1. Structure made of 6063-T5 or 6063-T6 aluminum profiles.
2. Lacquered finish with electrostatic powder coating or anodized.
3. Stainless steel fasteners and screws - 10% slope
4. It can cover up to 81 m<sup>2</sup> in the triple module configuration.
5. Resistant to winds up to 9° on the Beaufort scale
6. Torque engine with dual Tuscan transmission.
7. RTS remote control for motor and lighting, option via cell phone.
8. All our products are "ALL SEASONS".
9. If local installation regulations require a stronger post, our system allows you to double the thickness of the post over its entire length, increasing its mechanical strength by up to 45%.



## TEXTILE PANEL PROFILES

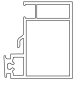
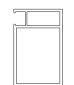
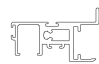
This set of aluminum profiles is responsible for connecting the frame that supports the textile material with the transmission system, allowing each panel to move and thus making the pergola retractable.

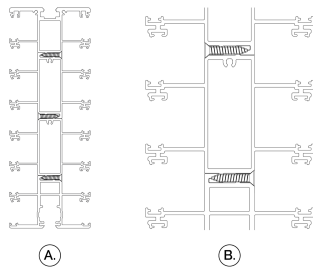
T O	RODACHIN PROFILE PANEL TEXTILE FRAME
B	GLASS CONNECTION PROFILE 4 + 4
C	POLYCARBONATE CONNECTION PROFILE
D	POLYCARBONATE FRONT PROFILE

## TEXTILE PANEL RAIL PROFILES

The rail profiles are responsible for guiding the panels with the textile frame. Depending on their projection, they can be combined to form larger rails with greater access to the glass panels, allowing projections of up to 8 meters.

TO	SIDE PANEL FRAME PROFILE
B	LONGITUDINAL PANEL FRAME PROFILE
C	SIDE PANEL CONNECTION PROFILE

	A.
	B.
	C.

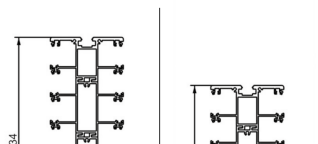


## INTERNAL FIXATION BETWEEN PROFILES

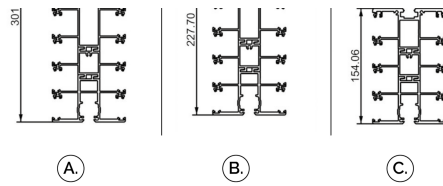
Our rails have been designed and developed to be assembled according to needs. They are considered modular rails, as they increase in height according to the desired projection and opening percentage.

TO	THREE RAIL PROFILES
B	DETAIL OF THE RAIL PROFILE JOINT

## OPENING PERCENTAGE ACCORDING TO RAIL HEIGHT



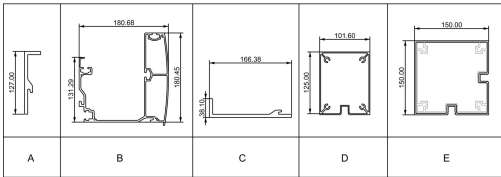
TO	5 PANELS - 80% OPENING
B	4 PANELS - 75% OPENING
C	3 PANELS - 66% OPENING
C	2 PANELS - 50% OPENING



## STRUCTURE PROFILES

These are the profiles whose function is to serve as a rail for the carriages that deploy the blades to move along.

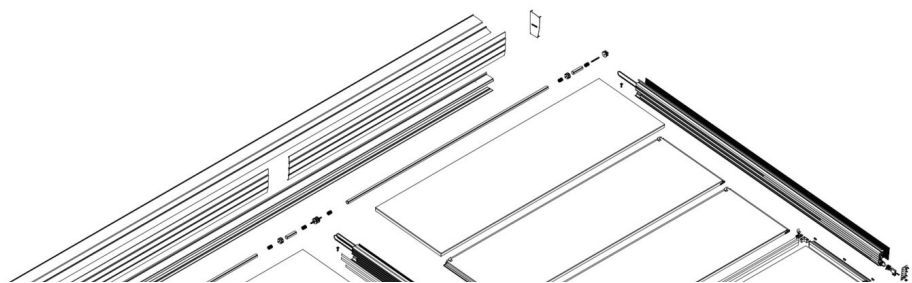
These profiles are present in each and every one of our Pergoslide Glass products.

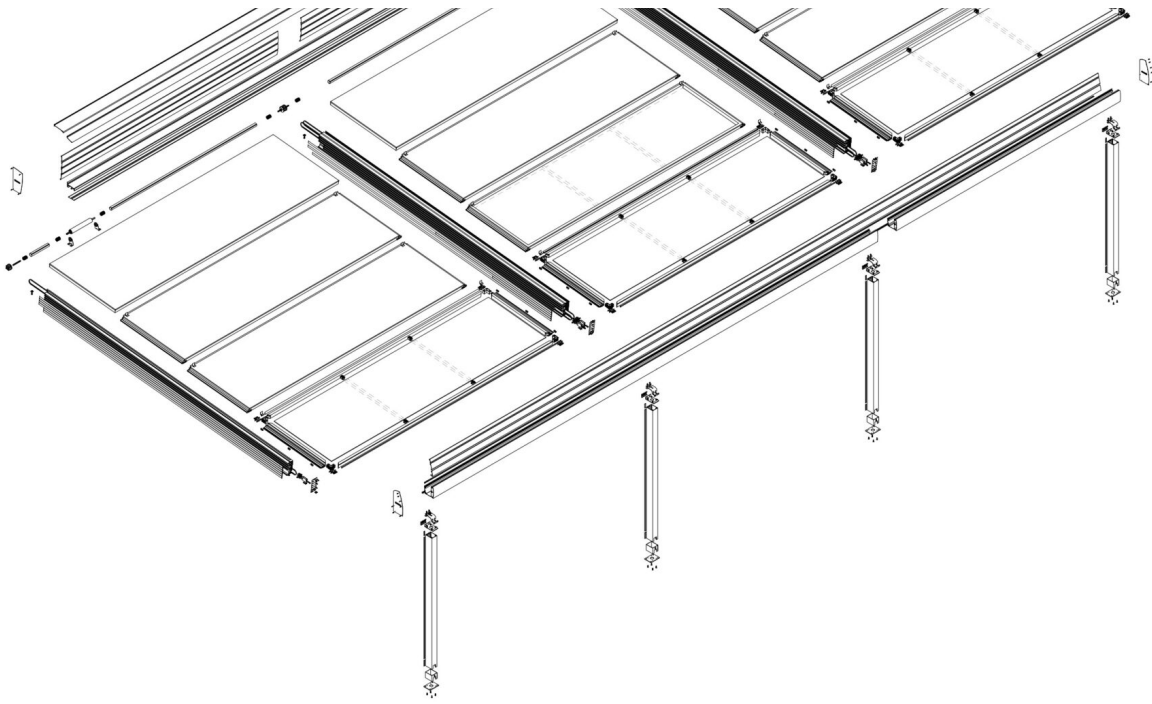


TO	PERGOSLIDE TOP RAIL PROFILE
B	PERGOSLIDE INTERMEDIATE DOUBLE RAIL PROFILE
C	PERGOSLIDE INTERMEDIATE SINGLE RAIL PROFILE
D	PERGOSLIDE BOTTOM RAIL PROFILE
AN D	POST PROFILE 150 X 150 MM



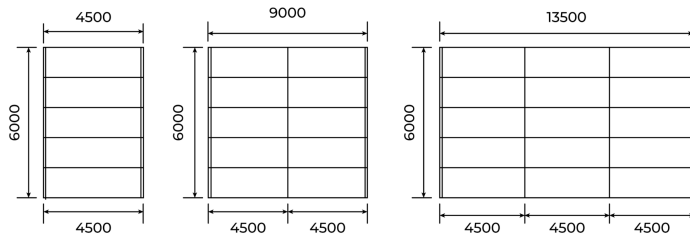
EXPLOSION PERGOSLIDE TEXTILE PANEL

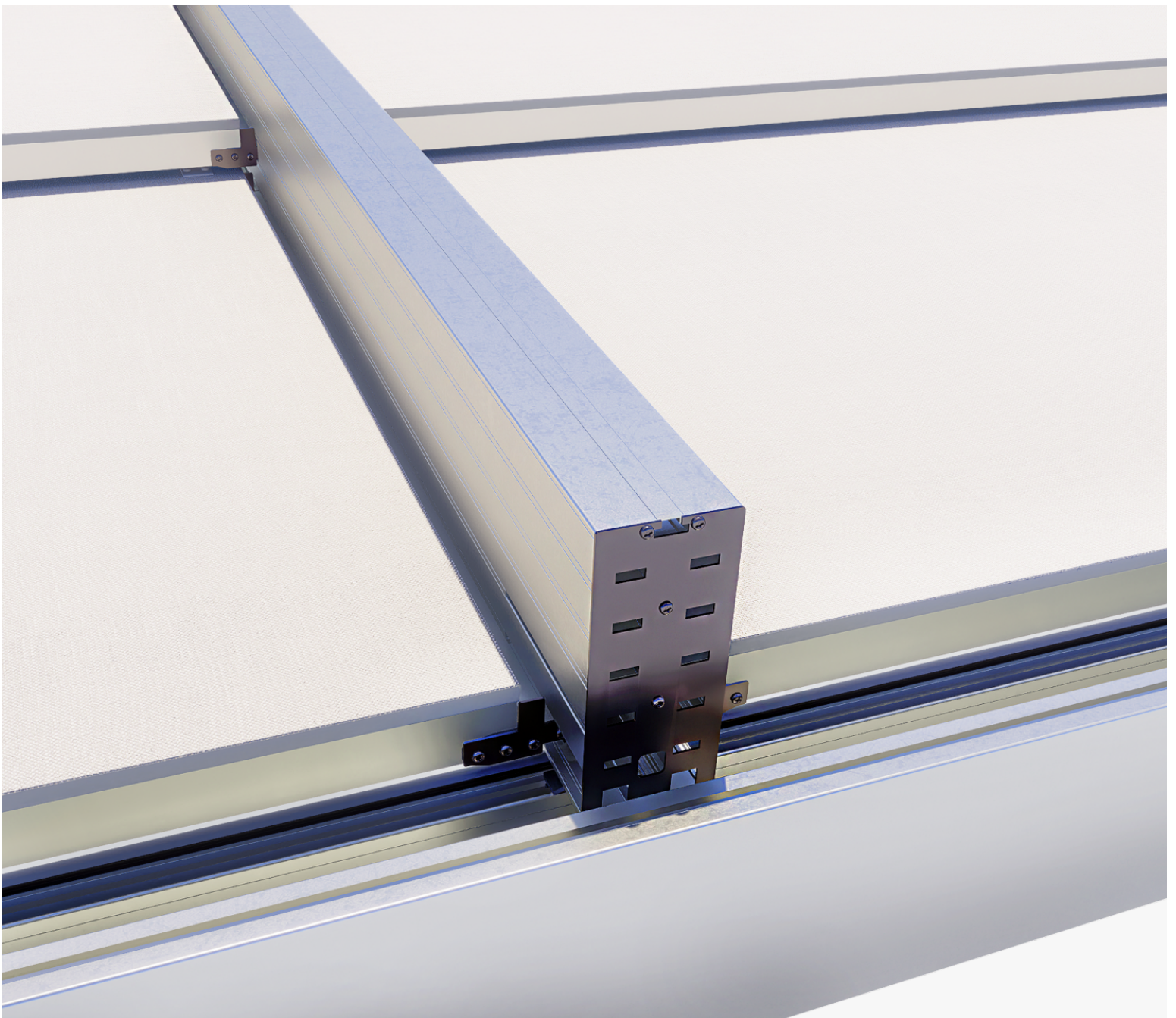




## MAXIMUM DISTANCE BETWEEN POSTS

The maximum modulation for retractable glass systems allows for the installation of posts with a distance of up to 4.5 meters between centers, providing a solid and stable structure. Furthermore, the maximum projection of these systems can reach 8 meters, offering wide and efficient coverage. These features make these retractable glass pergolas stand out in the market, positioning them as one of the largest and most versatile options available. Thanks to their innovative design and ability to cover large areas, these pergolas are ideal for both residential and commercial spaces, providing an elegant and functional solution to protect against inclement weather without sacrificing aesthetics.

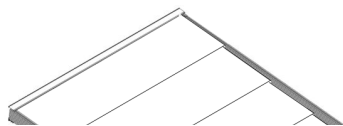




## TYPES OF INSTALLATION

### *WITH POLES*

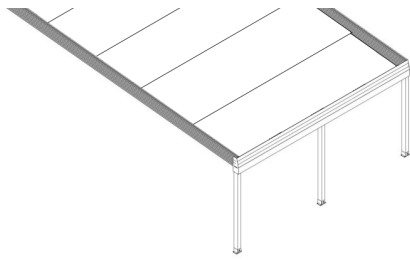
This type of configuration allows the pergola to be mounted directly to the facade from the rails; the front, depending on the length, is supported by two or more posts.



### *BETWEEN WALLS*

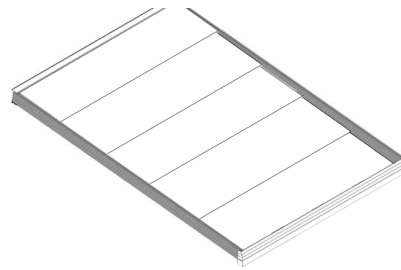
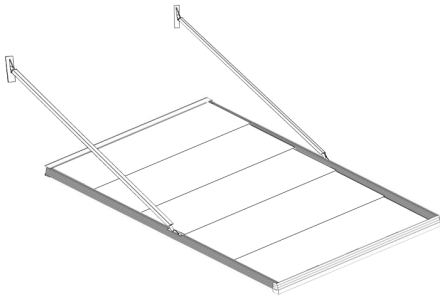
This type of configuration allows the pergola to be installed on two facades, one rear and one front, avoiding the use of any support structure, whether posts or tensioners, achieving a clean covered area, without any elements that affect the view.





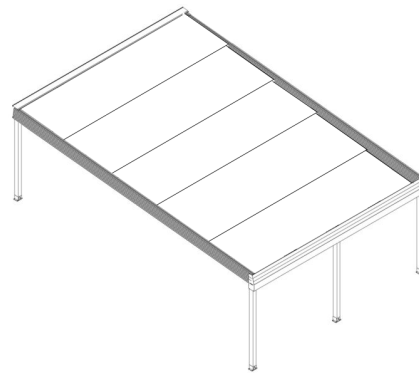
### WITH TENSIONERS

This type of configuration allows the pergola to be attached to the facade using tensioners, leaving the panoramic view clear of any posts. For projections less than 4,5 m, a single tensioner per rail is required.



### GAZEBO

This type of configuration allows the pergola to be installed self-supportingly, i.e., without the need for a façade, using posts that support the rails at each end.



### ENGINE

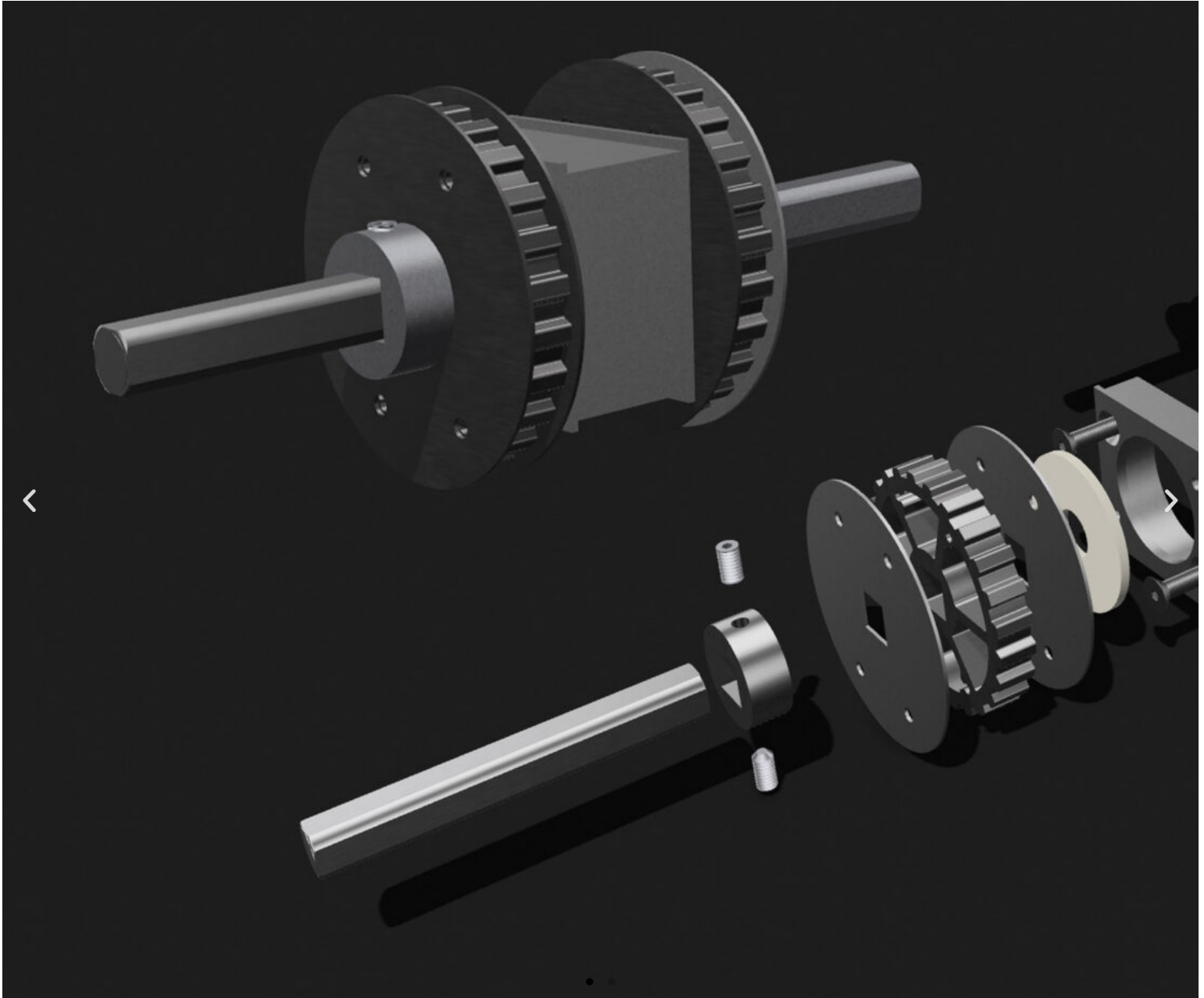
Our pergolas feature a motor exclusive to the Toscana brand, which consists of dual drive and torque shafts, allowing for permanent and maximum tension on the fabric when extended, preventing any pooling of water.



<b>DOUBLE ENGINE TRANSMISSION</b> <b>110V-60HZ (UL) - 220V/30Hz (CE)</b>	130 V	220 V
<b>Rated Torque (Nm)</b>	2x25	2x25
<b>Rated Speed (Rpm)</b>	26	32
<b>Rated Current (A)</b>	2.22	4.58
<b>Rated Power (kw)</b>	490	550
<b>Degree of Protection (IP)</b>	IP44	IP44
<b>Maximum Limit turn (Turn)</b>	∞	∞
<b>Running Time (Min)</b>	>4	>4

**REMOTE CONTROL:** Controls up to 15 motors, allows dimming, color change, turning on and off up to 4 circuits of the cover.

<b>Temperature (°C)</b>	-10C°/50°c	
<b>L1/L2(mm)</b>	545/411	
<b>Certification</b>	UL	EC





## PERGOSLIDE FIXED TEXTILE

The fixed version of the textile Pergoslade offers a sophisticated and adaptable design. Available with a straight, pitched, or stepped structure, its incline of up to 15% ensures efficient drainage. Featuring canvas panels on an aluminum frame, this pergola provides excellent thermal insulation. Ideal for those seeking a protected outdoor space with a modern, minimalist aesthetic that guarantees durability and comfort.

## TECHNICAL CHARACTERISTICS



## CHARACTERISTICS

1. Structure made of 6063-T5 or 6063-T6 aluminum profiles.
2. Lacquered finish with electrostatic powder coating or anodized.
3. Stainless steel fasteners and screws - 10% slope
4. It can cover up to 81 m<sup>2</sup> in the triple module configuration.
5. Resistant to winds up to 9° on the Beaufort scale
6. Torque engine with dual Tuscan transmission.
7. RTS remote control for motor and lighting, option via cell phone.
8. All our products are "ALL SEASONS".
9. If local installation regulations require a stronger post, our system allows the thickness of the post to be doubled over its entire length and increases its mechanical strength by up to 45%.

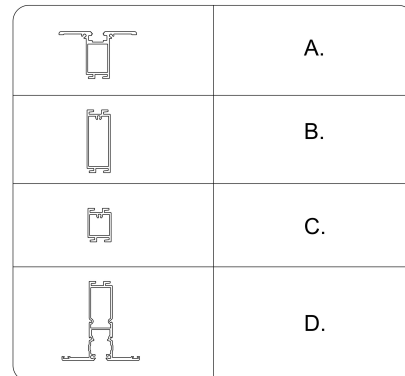


## PERGOSLIDE FIXED TEXTILE - SMOOTH BEAM OPTION

### BEAM PROFILES FOR FIXED PANELS

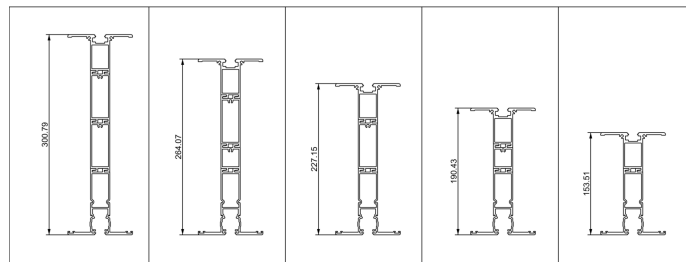
The rail profiles are responsible for guiding the panels, depending on their projection, they can be coupled to form larger rails with greater access capacity to the insulated panels, allowing a projection of up to 8 meters.

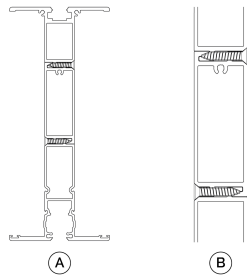
T O	PERGOSLIDE TOP RAIL PROFILE
B	PERGOSLIDE INTERMEDIATE DOUBLE RAIL PROFILE
C	PERGOSLIDE INTERMEDIATE SINGLE RAIL PROFILE
D	PERGOSLIDE BOTTOM RAIL PROFILE



### MODULATION IN HEIGHT BEAMS

The rail profiles are responsible for guiding the glass panels. Depending on their projection, they can be combined to form larger rails with greater access to the glass panels, allowing projections of up to 8 meters.





## INTERNAL FIXATION BETWEEN PROFILES

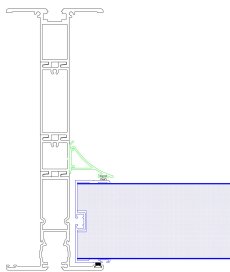
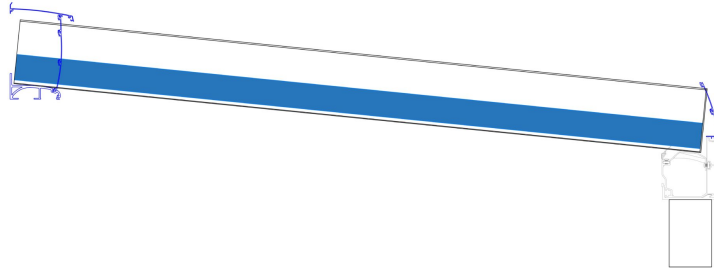
Our rails have been designed and developed to be assembled according to needs. They are considered modular rails, as they increase in height according to the desired projection and opening percentage.

TO	THREE RAIL PROFILES
B	DETAIL OF THE RAIL PROFILE JOINT

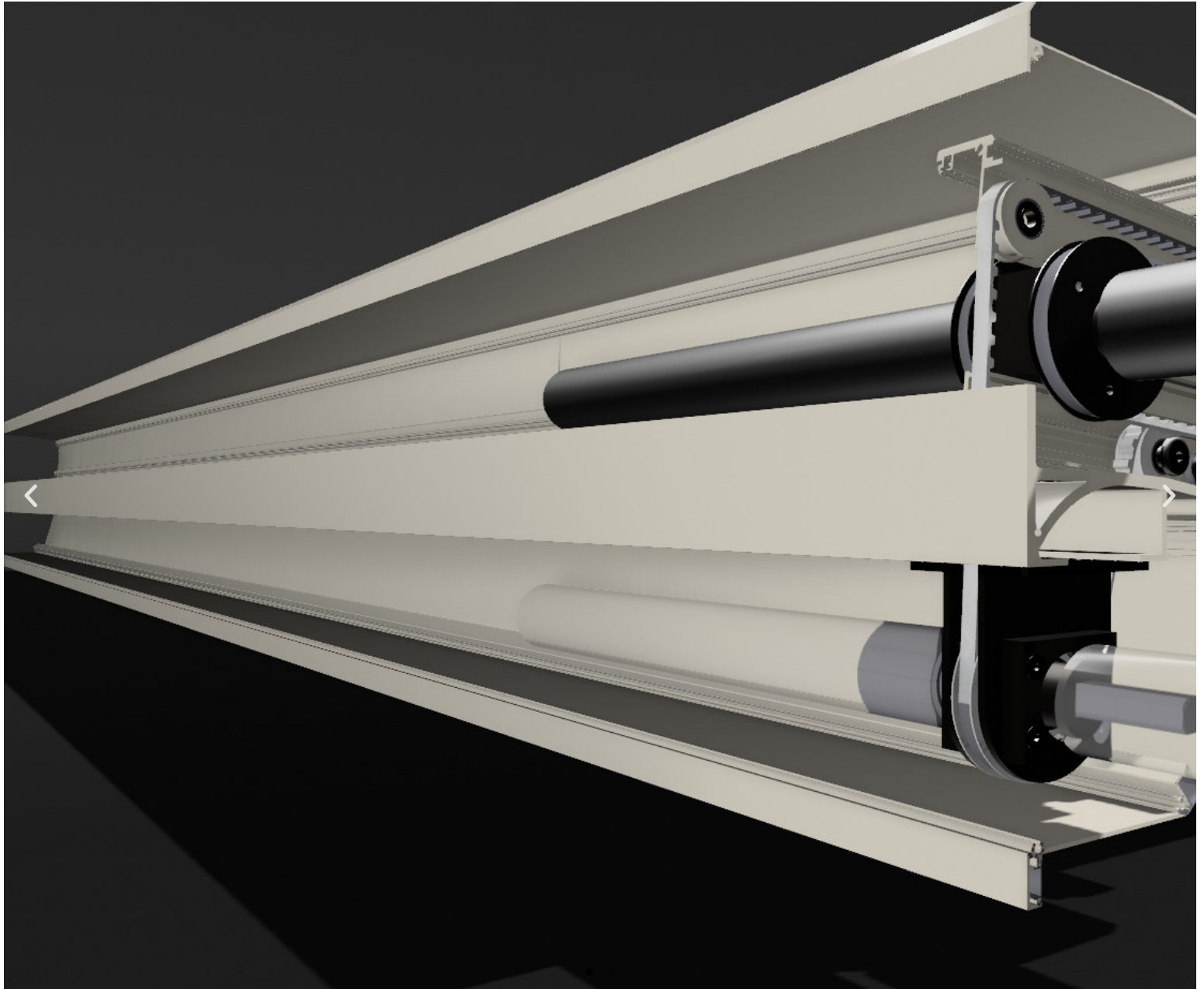
---

## PERGOSLIDE FIXED INCLINED TEXTILE - SINGLE LEVEL

The rail profiles are responsible for guiding the glass panels. Depending on their projection, they can be combined to form larger rails with greater access to the glass panels, allowing projections of up to 8 meters.



The rail profiles are responsible for guiding the glass panels. Depending on their projection, they can be combined to form larger rails with greater access to the glass panels, allowing projections of up to 8 meters.



## LIGHTNING

It features an LED lighting system that can be installed in the frame of the fabric panel to illuminate the roof. This can be achieved by using LED spotlights. LED strips can be installed on the channel beam, the posts, the protective cover of the retractable motor, and the rails. The lighting can be white, RGB, or RGBW, allowing



the light color to be changed using our "Toscana Dynamic" platform.



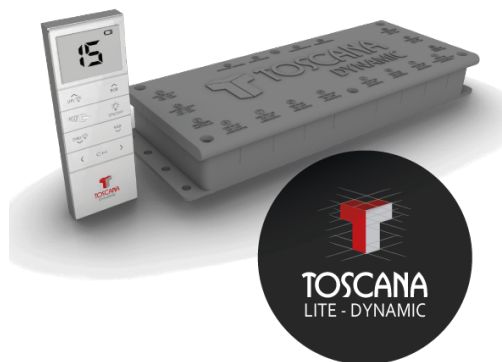
## HOME AUTOMATION



### TUSCANY DYNAMIC PRO

- Changing RGB Colors in Lighting
- Output for 2 wired motors
- Outputs for 15 wireless motors
- 4 RGB and RGBW lighting circuits
- Control from Alexa or Google Home assistant
- Turning on and off from the remote control
- Management from the Toscana Dynamic App
- WEB management from QR Code
- Handling Various Sensors
- Wifi connection
- Scenario Creation

[More information](#)



### TUSCANY DYNAMIC LITE

- Changing RGB Colors in Lighting
- Output for 1 wired motor
- Outputs for 15 wireless motors
- 2 RGB and RGBW lighting circuits
- Control from Alexa or Google Home assistant
- Turning on and off from the remote control
- Management from the Toscana Dynamic App
- WEB management from QR Code
- Handling Various Sensors
- Wifi connection
- Scenario Creation

[More information](#)





## TUSCANY DYNAMIC MINI

- Changing RGB Colors in Lighting
- Output for 1 wired motor
- Outputs for 15 wireless motors
- 2 RGB and RGBW lighting circuits
- Control from Alexa or Google Home assistant
- Turning on and off from the remote control
- Management from the Toscana Dynamic App
- WEB management from QR Code
- Handling Various Sensors
- Wifi connection
- Scenario Creation

[More information](#)



## TUSCANY DYNAMIC MICRO

- Changing RGB Colors in Lighting
- Dimerization
- Turning on and off from the remote control

[More information](#)

## SENSORS



### WEATHER STATION

It includes an anemometer, rain gauge, hygrometer, wind direction indicator, and power supply via a solar panel with a backup battery in case atmospheric conditions prevent solar charging.



### SENSORS

The protection system includes temperature and belt break sensors, preventing mechanical failures that could damage the pergola. Optionally, the customer can add specialized sensors, allowing for greater protection in extreme weather conditions.



### SNOW SENSOR

It allows you to determine the height of the snow in millimeters above the pergola. In addition, in the app, you can review the



### SMOKE DETECTOR

An alarm that detects the presence of smoke in the air and emits an audible signal warning of a fire hazard. It operates via RF (Radio Frequency).

historical record of how long it lasted and when it fell.