



## PERGOSLIDE RETRACTABLE GLASS

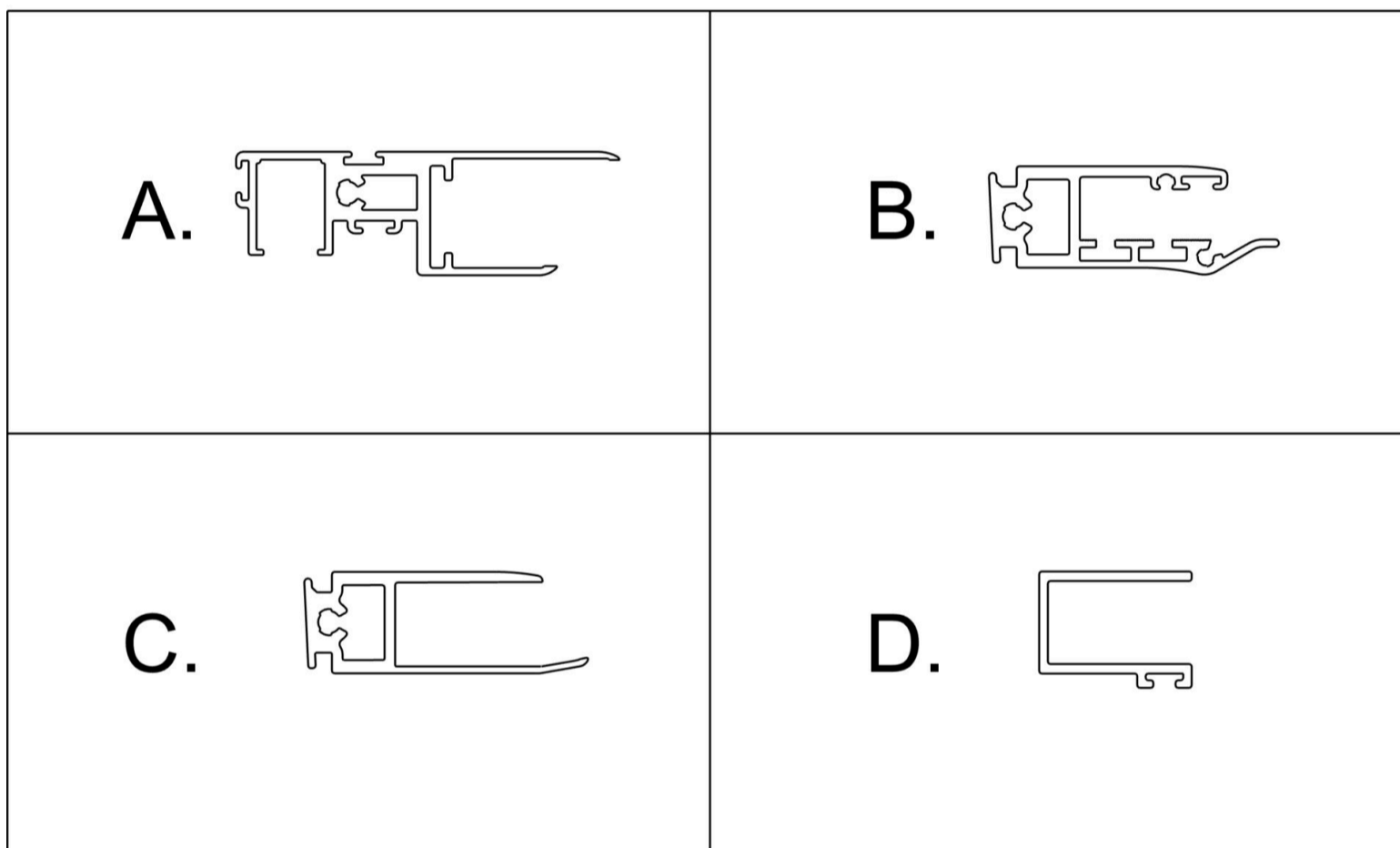
Our Pergoslide Glass is a versatile option for outdoor spaces, ideal for creating elegant and functional environments. Available in retractable or fixed glass panels, its structure can be fixed with a straight or inclined design, adapting to different needs. This pergola stands out for its ability to offer privacy and sun control by integrating a Pergoflex underneath. The retractable version has a 10% incline, optimizing rainwater drainage, while the fixed inclined version can reach up to 15%, providing greater flexibility in installation.

The design not only provides visual elegance, but also significant noise reduction, thanks to the 8 to 16 mm thick glass, creating a quieter and more serene environment.

## TECHNICAL CHARACTERISTICS

1. Structure made of 6063-T5 or 6063-T6 aluminum profiles.
2. Lacquered finish with electrostatic powder coating or anodized.
3. Stainless steel fasteners and screws - 15% slope by default, 10% minimum slope and 25% maximum slope
4. It can cover up to 162 m<sup>2</sup> in the triple module configuration.
5. Resistant to winds up to 9' on the Beaufort scale
6. Torque engine with dual Tuscan transmission.
7. RTS remote control for motor and lighting, option via cell phone.
8. All our products are 'ALL SEASONS'.
9. If local installation regulations require a stronger post, our system allows you to double the thickness of the post over its entire length, increasing its mechanical strength by up to 45%.





### GLASS AND POLYCARBONATE PANEL PROFILES

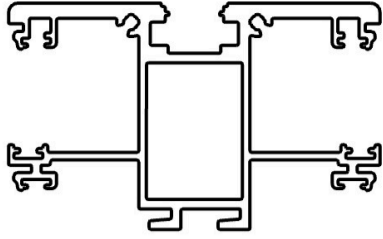
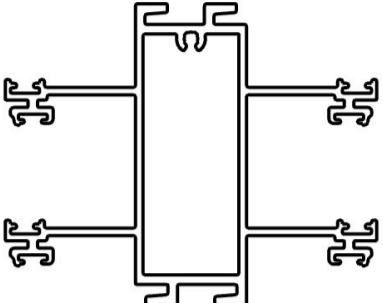
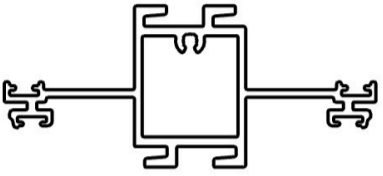
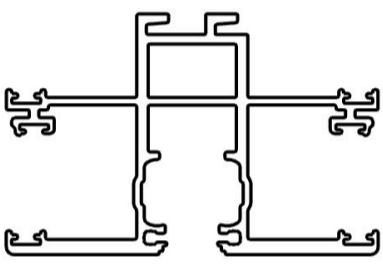
This set of aluminum profiles is responsible for connecting the glass to the transmission system, allowing each panel to move and thus making the pergola retractable.

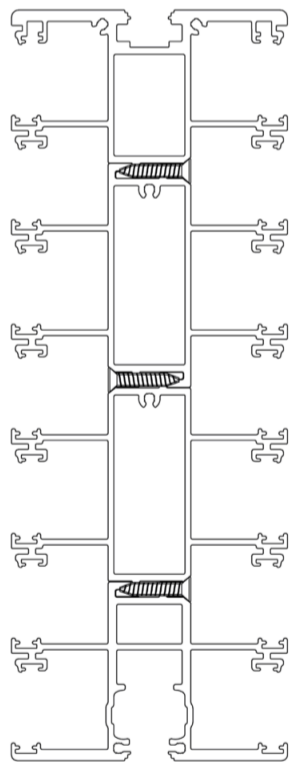
TO	RODACHIN GLASS PANEL PROFILE
B	GLASS CONNECTION PROFILE 4 + 4
C	POLYCARBONATE CONNECTION PROFILE
D	POLYCARBONATE FRONT PROFILE

### GLASS RAIL PROFILES

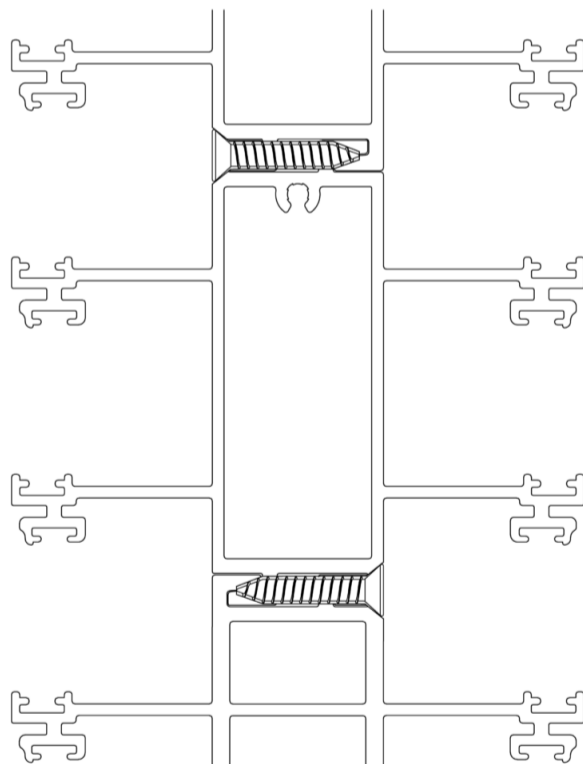
The rail profiles are responsible for guiding the glass panels. Depending on their projection, they can be combined to form larger rails with greater access to the glass panels, allowing projections of up to 8 meters.

TO	PERGOSLIDE TOP RAIL PROFILE
B	PERGOSLIDE INTERMEDIATE DOUBLE RAIL PROFILE
C	PERGOSLIDE INTERMEDIATE SINGLE RAIL PROFILE
D	PERGOSLIDE BOTTOM RAIL PROFILE

	A
	B
	C
	D



A.



B.

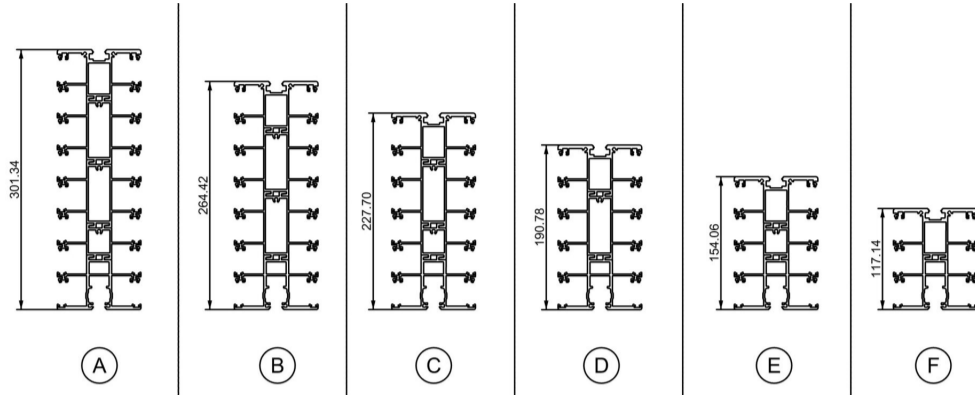
**INTERNAL FIXATION BETWEEN PROFILES**

Our rails have been designed and developed to be assembled according to needs. They are considered modular rails, as they increase in height according to the desired projection and opening percentage.

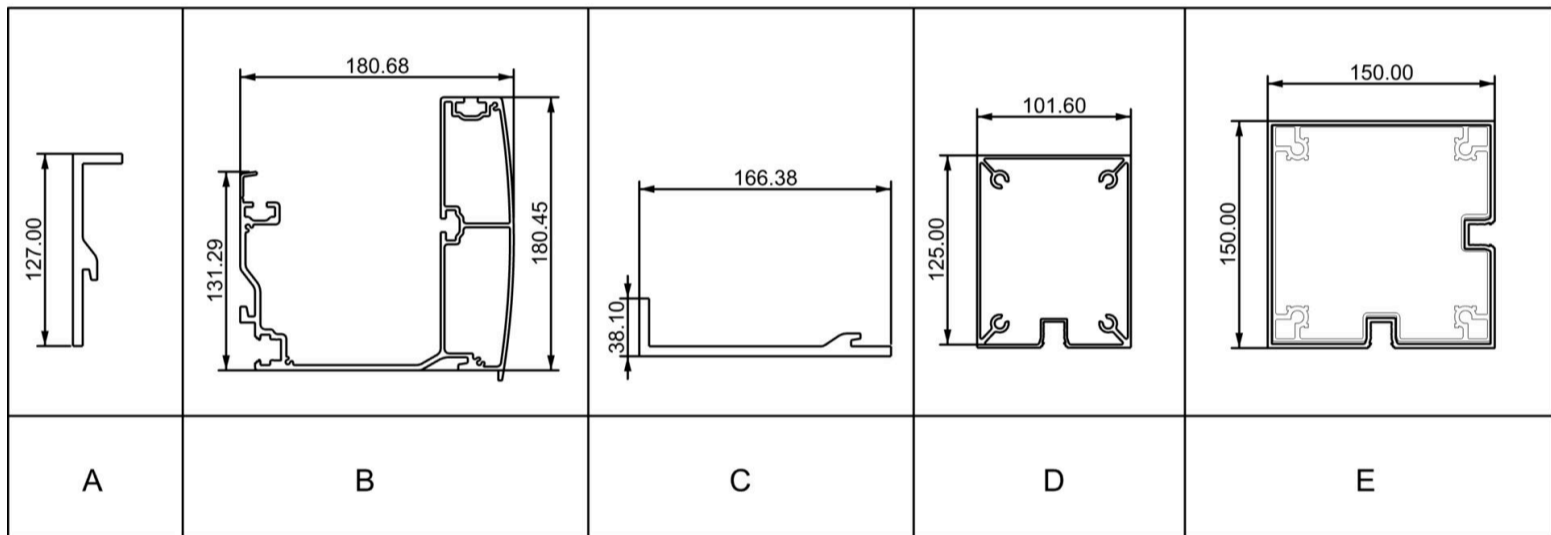
TO	THREE RAIL PROFILES
B	DETAIL OF THE RAIL PROFILE JOINT

**OPENING PERCENTAGE ACCORDING TO RAIL HEIGHT**

TO	8 PANELS - 88% OPENING
B	7 PANELS - 86% OPENING
C	6 PANELS - 83% OPENING
D	5 PANELS - 80% OPENING
AND	4 PANELS - 75% OPENING
F	3 PANELS - 63% OPENING

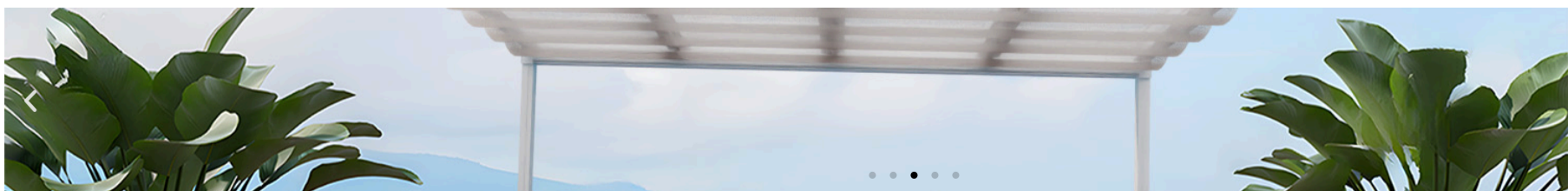


STRUCTURE PROFILES

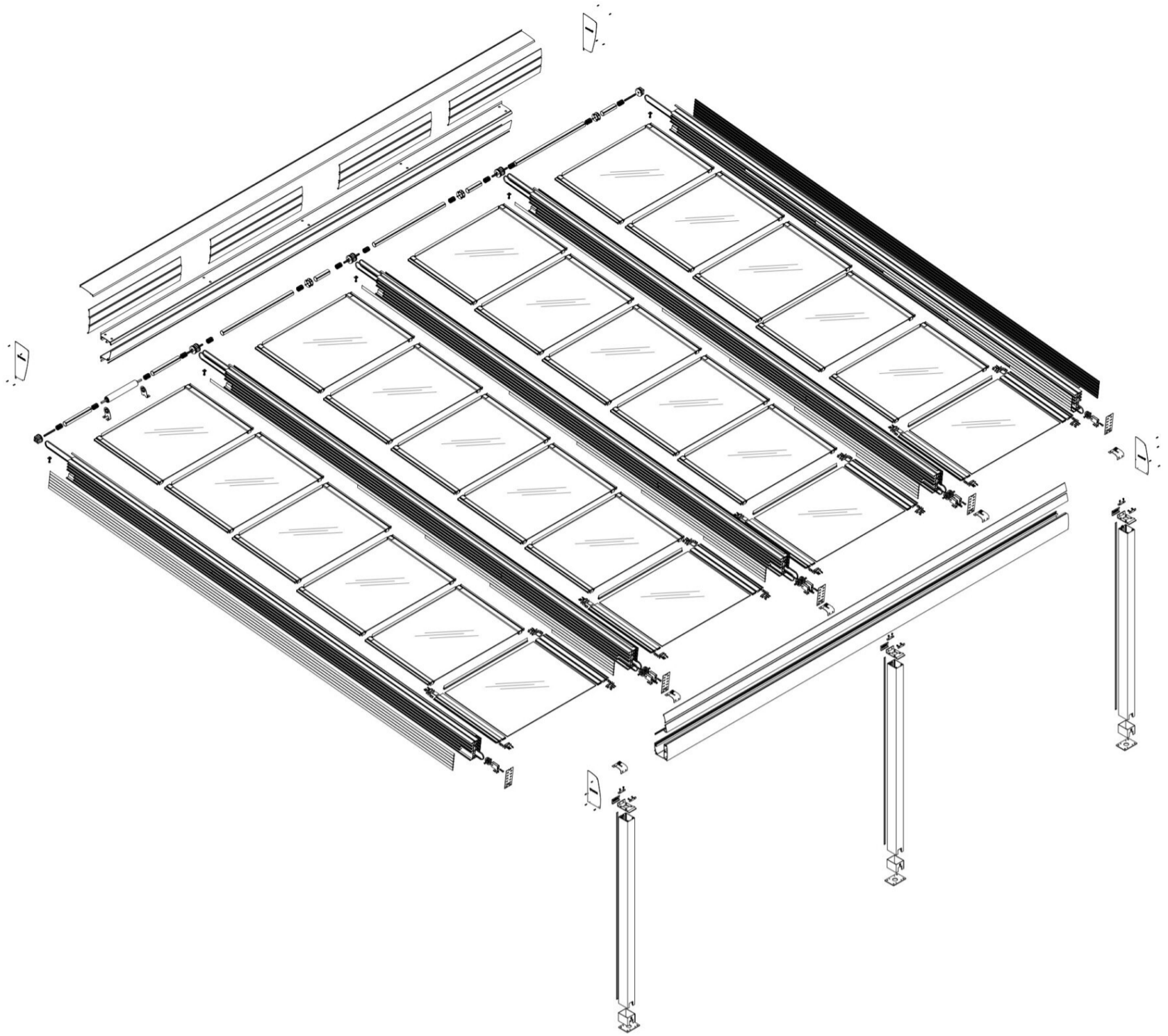


These are the profiles whose function is to serve as a rail for the carriages that deploy the blades to move along. These profiles are present in each and every one of our Pergoslide Glass products.

TO	PERGOSLIDE TOP RAIL PROFILE
B	PERGOSLIDE INTERMEDIATE DOUBLE RAIL PROFILE
C	PERGOSLIDE INTERMEDIATE SINGLE RAIL PROFILE
D	PERGOSLIDE BOTTOM RAIL PROFILE
AND	POST PROFILE 150 X 150 MM

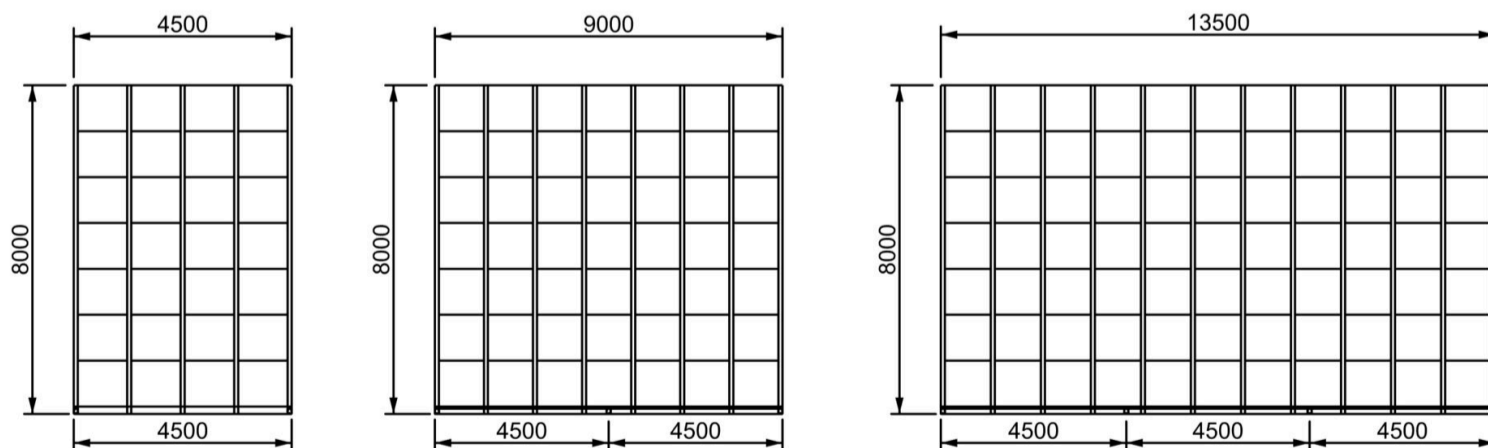


PERGOSLIDE GLASS EXPLOSION



### MAXIMUM DISTANCE BETWEEN POSTS

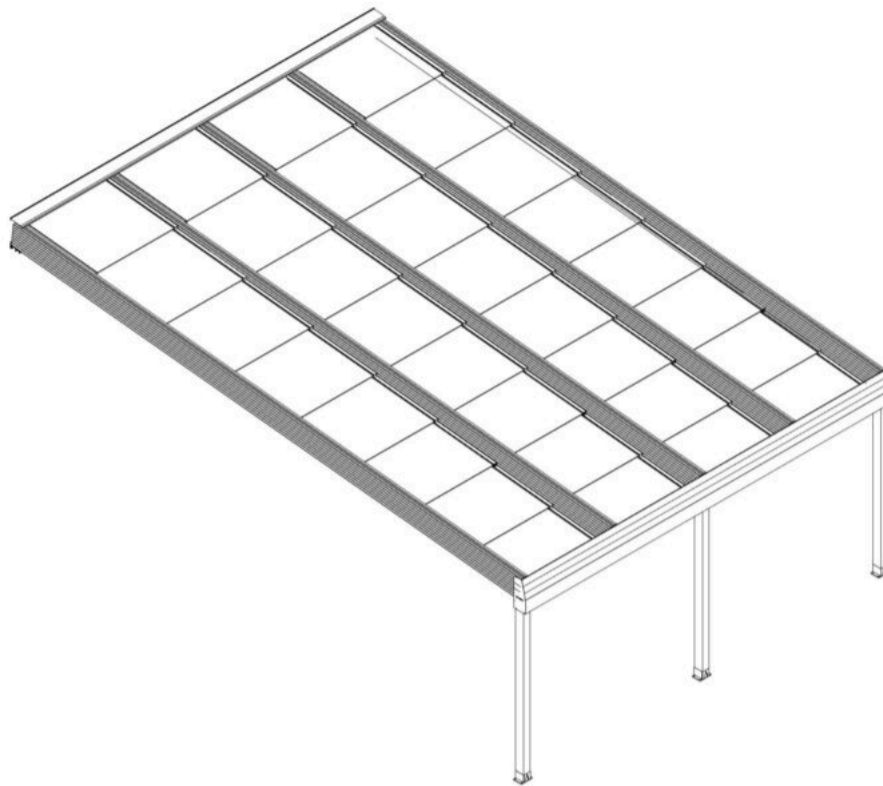
The maximum modulation for retractable glass systems allows for the installation of posts with a distance of up to 4.5 meters between centers, providing a solid and stable structure. Furthermore, the maximum projection of these systems can reach 8 meters, offering wide and efficient coverage. These features make these retractable glass pergolas stand out in the market, positioning them as one of the largest and most versatile options available. Thanks to their innovative design and ability to cover large areas, these pergolas are ideal for both residential and commercial spaces, providing an elegant and functional solution to protect against inclement weather without sacrificing aesthetics.



## TYPES OF INSTALLATION

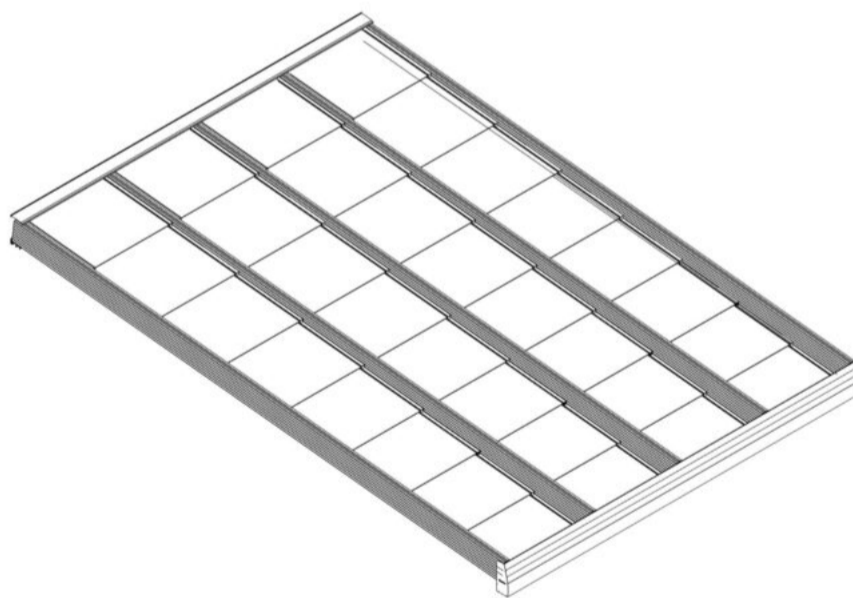
### *WITH POLES*

This type of configuration allows the pergola to be mounted directly to the facade from the rails; the front, depending on the length, is supported by two or more posts.



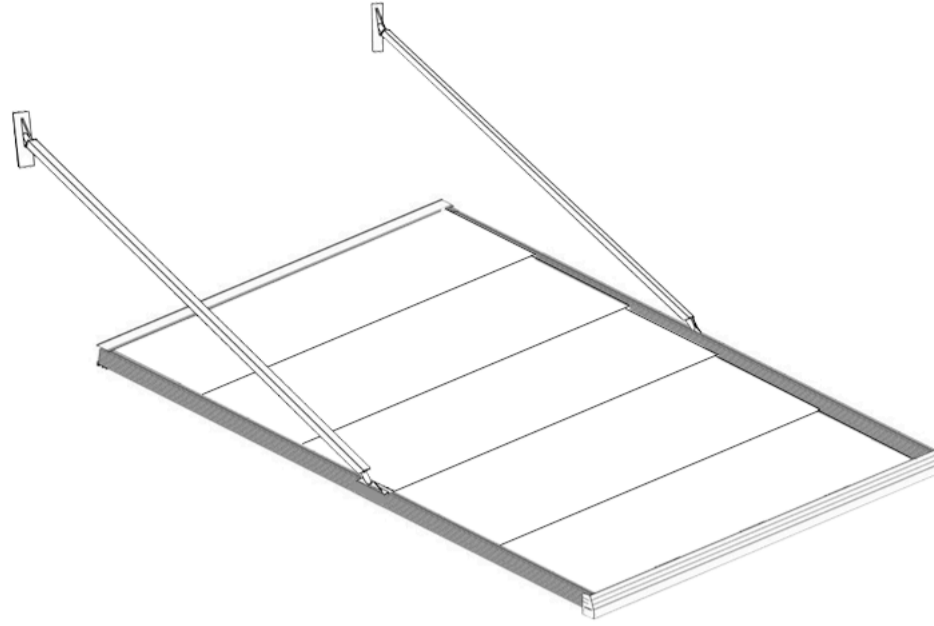
### *BETWEEN WALLS*

This type of configuration allows the pergola to be attached to the facade using tensioners, leaving the panoramic view clear of any posts. For projections less than 4.5 m, a single tensioner per rail is required.



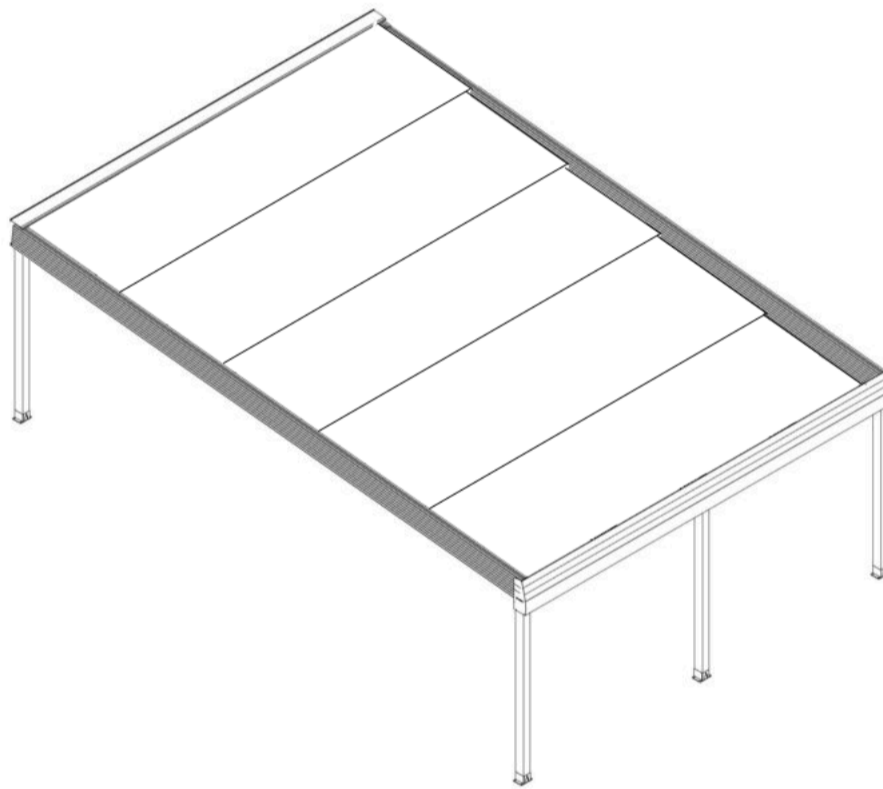
### *WITH TENSIONERS*

This type of configuration allows the pergola to be attached to the facade using tensioners, leaving the panoramic view clear of any posts. For projections less than 4.5 m, a single tensioner per rail is required.



### GAZEBO

This type of configuration allows the pergola to be installed self-supportingly, i.e., without the need for a façade, using posts that support the rails at each end.



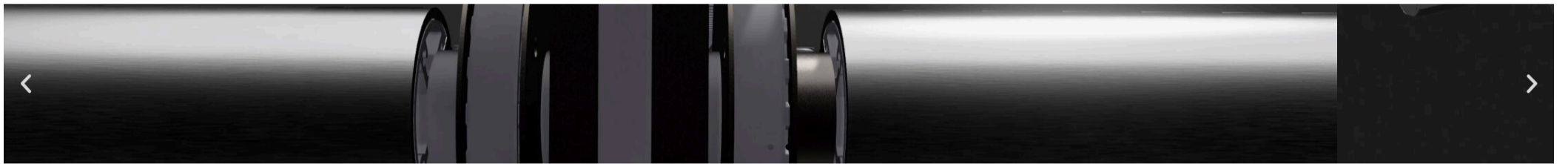
### ENGINE

Our pergolas feature a motor exclusive to the Toscana brand, which consists of dual drive and torque shafts, allowing for permanent and maximum tension on the fabric when extended, preventing any pooling of water.



**REMOTE CONTROL:** Controls up to 15 motors, allows dimming, color change, turning on and off up to 4 circuits of the cover.

<b>DOUBLE ENGINE TRANSMISSION</b> <b>110V-60HZ (UL) - 220V/30Hz (CE)</b>	130 V	220 V
<b>Rated Torque (Nm)</b>	2x25	2x25
<b>Rated Speed (Rpm)</b>	26	32
<b>Rated Current (A)</b>	2.22	4.58
<b>Rated Power (kw)</b>	490	550
<b>Degree of Protection (IP)</b>	IP44	IP44
<b>Maximum Limit turn (Turn)</b>	∞	∞
<b>Running Time (Min)</b>	>4	>4
<b>Temperature (°C)</b>	-10C°/50°c	
<b>L1/L2(mm)</b>	545/411	
<b>Certification</b>	UL	EC



## PERGOSLIDE GLASS FIXED

The Pergoslide Glass structure is composed of fixed glass panels that provide constant protection. This structure can be fixed in a straight or inclined design, best suited to your space. The inclination of the fixed structure can reach up to 15%, offering greater installation flexibility and ensuring efficient rainwater drainage.

The Pergoslide Glass system incorporates a Pergoflex layer underneath, providing efficient sunlight control and increased privacy. Furthermore, thanks to the 8 to 16 mm thick glass panels, Pergoslide Glass provides a significant reduction in outside noise, creating a more peaceful environment.

## TECHNICAL CHARACTERISTICS

1. Structure made of 6063-T5 or 6063-T6 aluminum profiles.
2. Lacquered finish with electrostatic powder coating or anodized.
3. Stainless steel fasteners and screws - 15% default slope, 10% minimum slope and 15% maximum slope

- 4. It can cover up to 162 m<sup>2</sup> in the triple module configuration.
- 5. Resistant to winds up to 9' on the Beaufort scale
- 6. All our products are 'ALL SEASONS'.
- 7. If local installation regulations require a stronger post, our system allows you to double the thickness of the post over its entire length, increasing its mechanical strength by up to 45%.

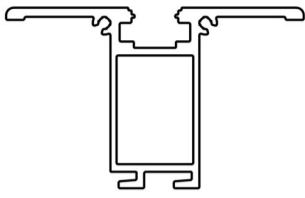
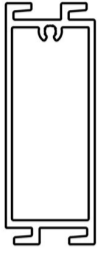

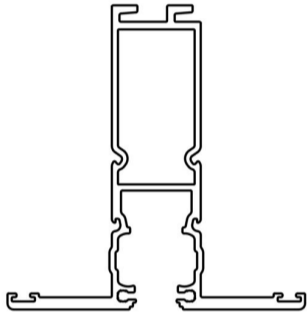


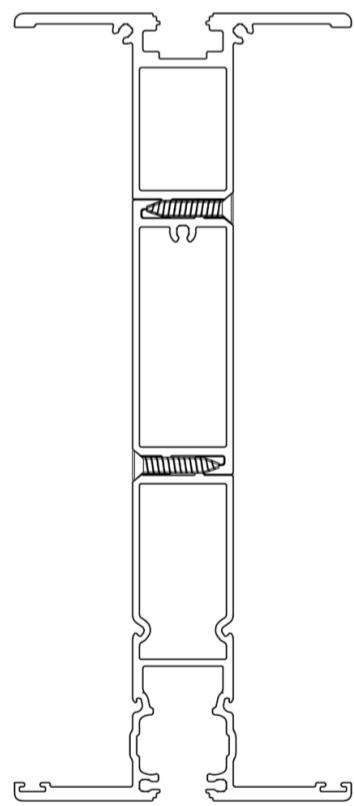
### FIXED PERGOSLIDE - SMOOTH BEAM OPTION

#### BEAM PROFILES FOR FIXED GLASS

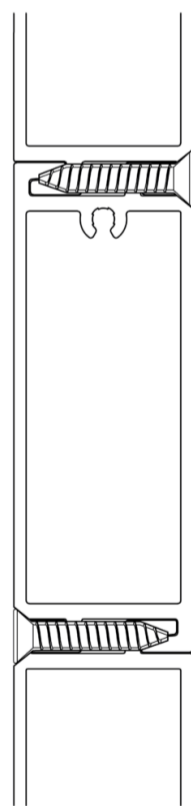
The rail profiles are responsible for guiding the glass panels. Depending on their projection, they can be combined to form larger rails with greater access to the glass panels, allowing projections of up to 8 meters.

TO	PERGOSLIDE TOP RAIL PROFILE
B	PERGOSLIDE INTERMEDIATE DOUBLE RAIL PROFILE
C	PERGOSLIDE INTERMEDIATE SINGLE RAIL PROFILE
D	PERGOSLIDE BOTTOM RAIL PROFILE

	<p>A.</p>
	<p>B.</p>
	<p>C.</p>
	<p>D.</p>



A



B

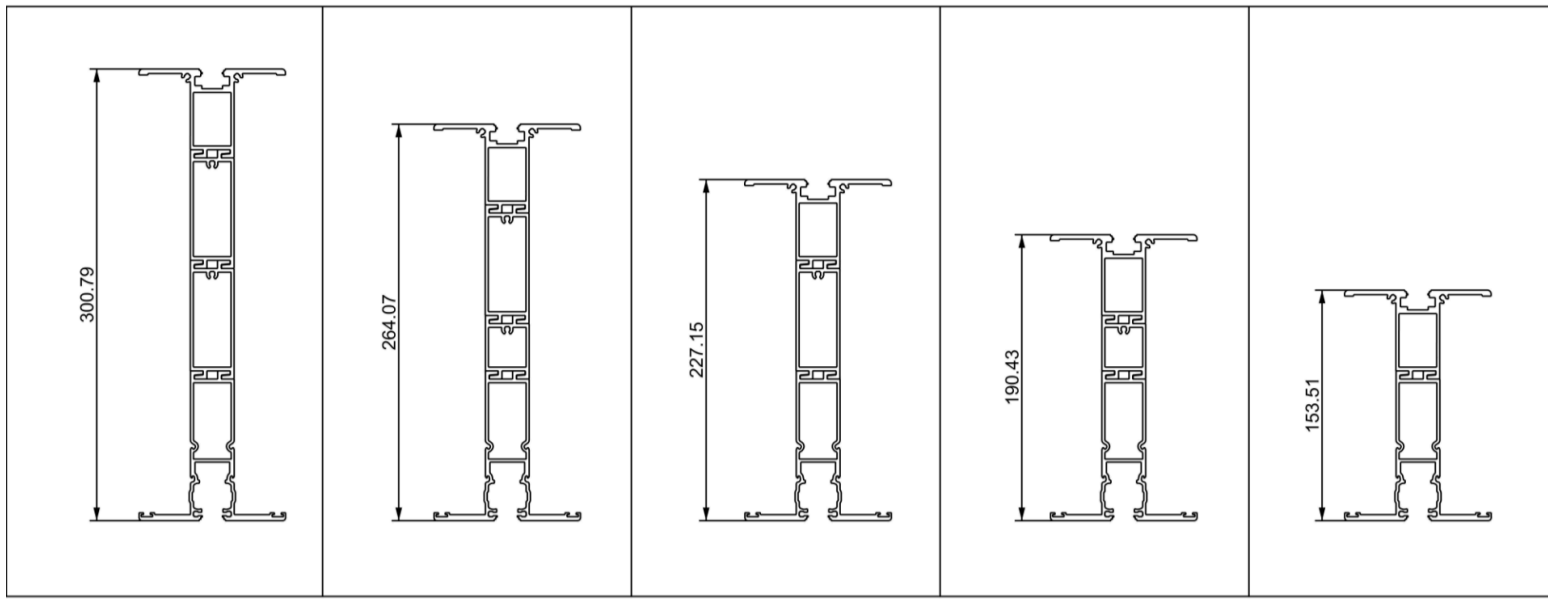
**INTERNAL FIXATION BETWEEN PROFILES**

Our rails have been designed and developed to be assembled according to needs. They are considered modular rails, as they increase in height according to the desired projection and opening percentage.

TO	THREE RAIL PROFILES
B	DETAIL OF THE RAIL PROFILE JOINT

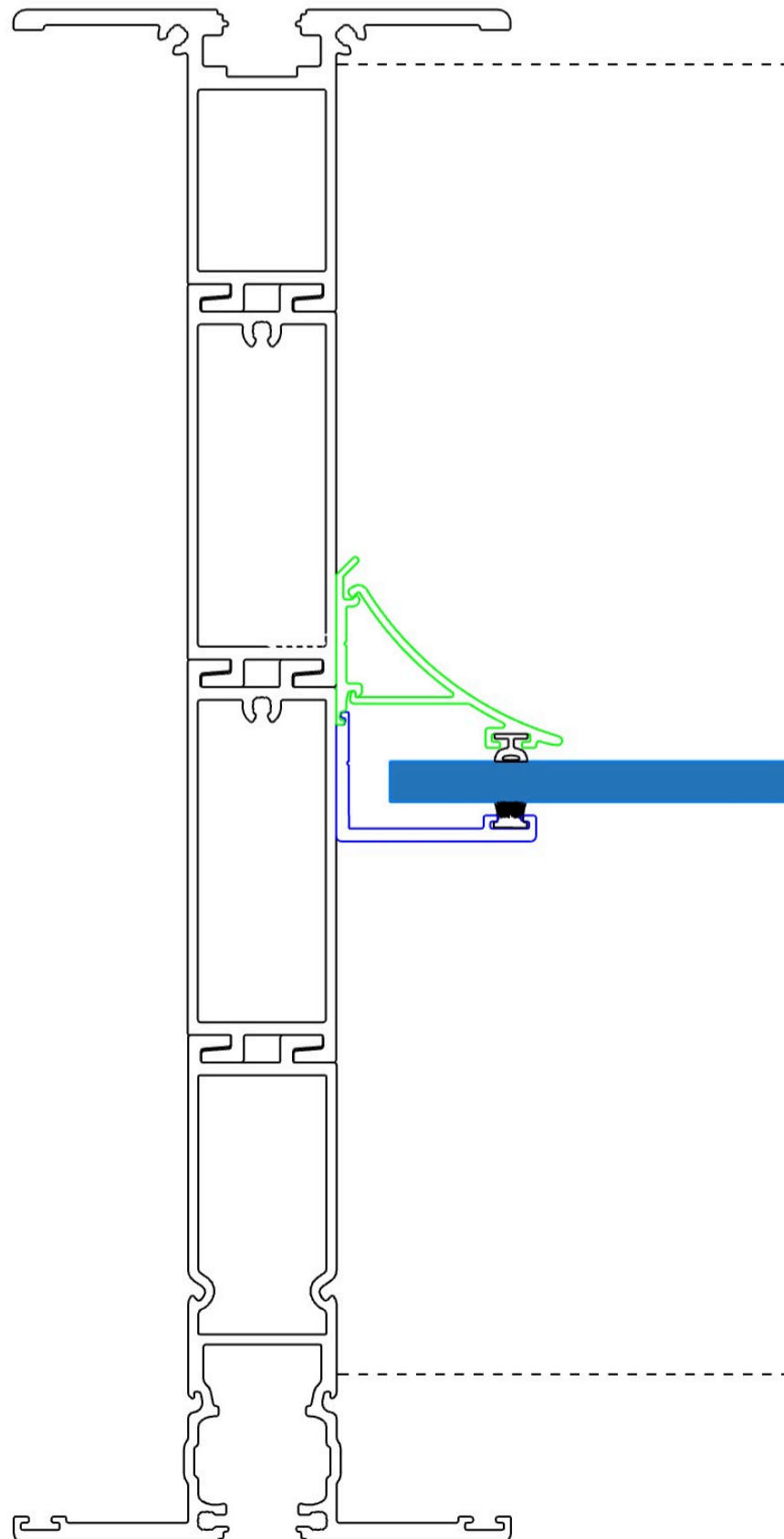
**MODULATION IN HEIGHT BEAMS**

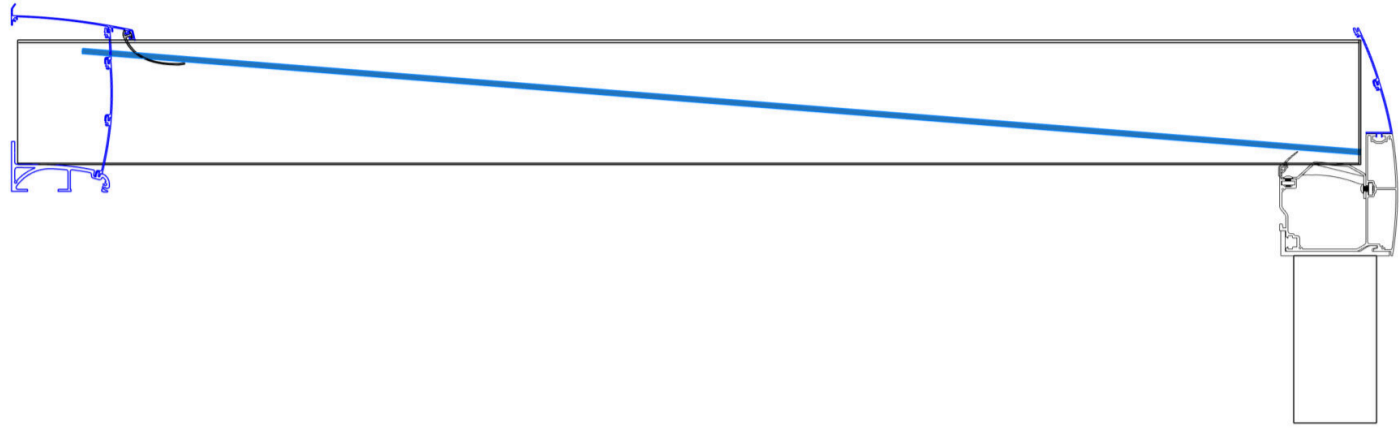
The rail profiles are responsible for guiding the glass panels. Depending on their projection, they can be combined to form larger rails with greater access to the glass panels, allowing projections of up to 8 meters.



### PERGOSLIDE FIXED FLAT - SLOPE GLASS

The rail profiles are responsible for guiding the glass panels. Depending on their projection, they can be combined to form larger rails with greater access to the glass panels, allowing projections of up to 8 meters.



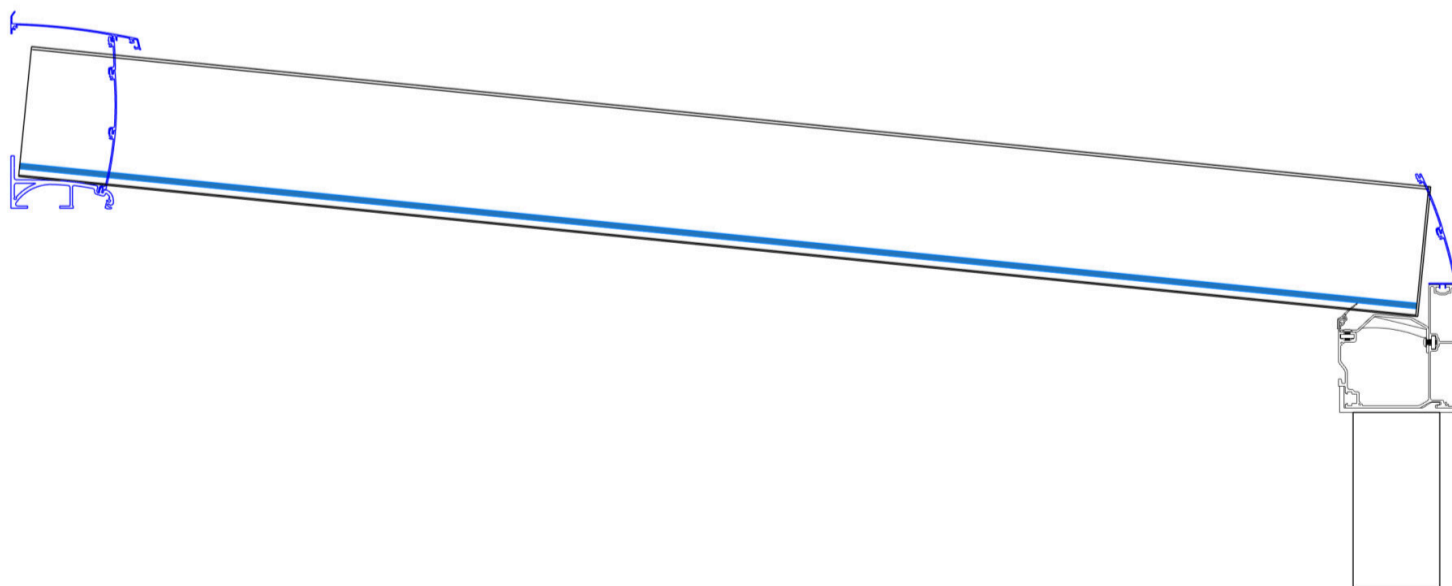
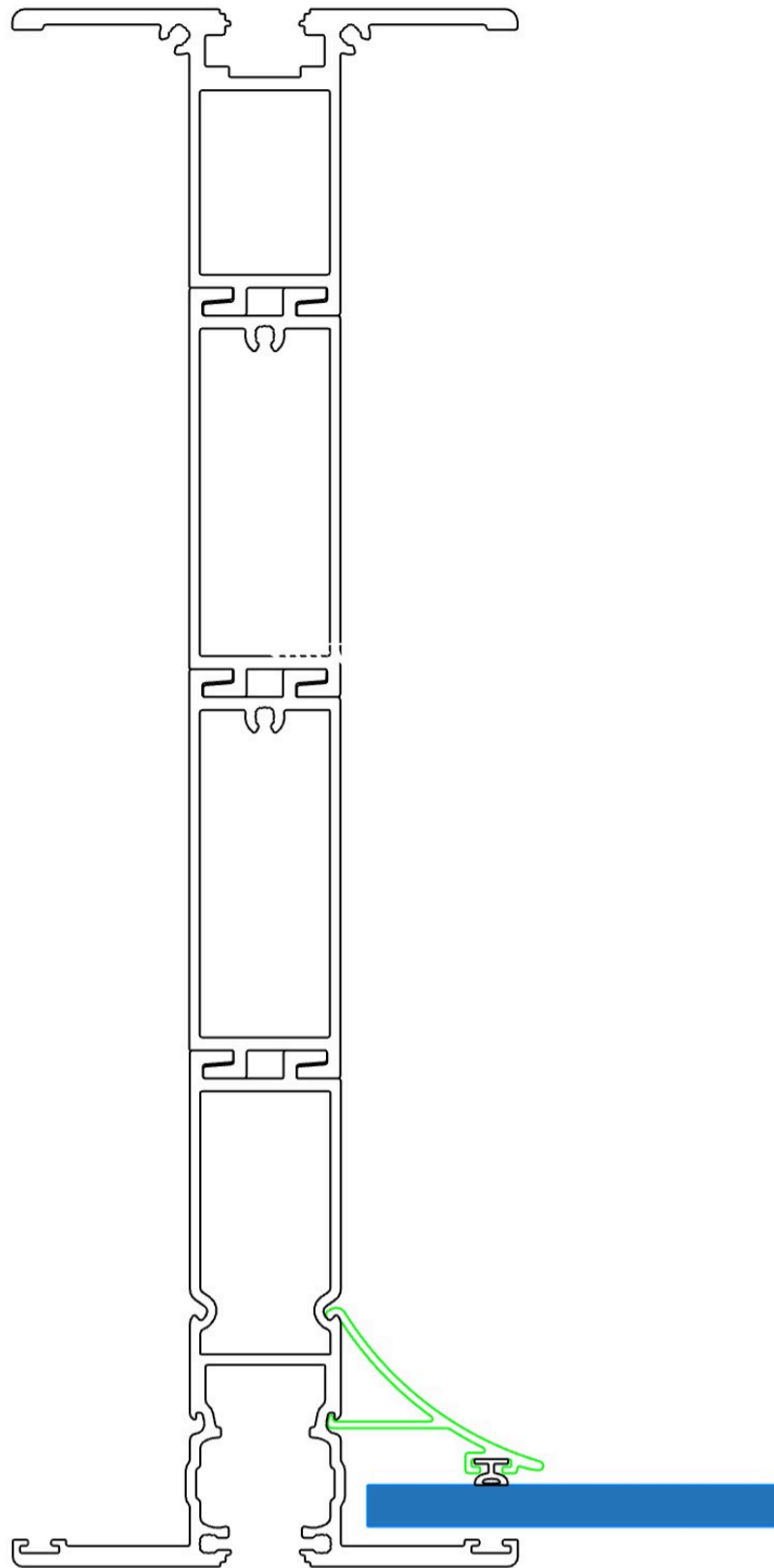


The rail profiles are responsible for guiding the glass panels. Depending on their projection, they can be combined to form larger rails with greater access to the glass panels, allowing projections of up to 8 meters.

---

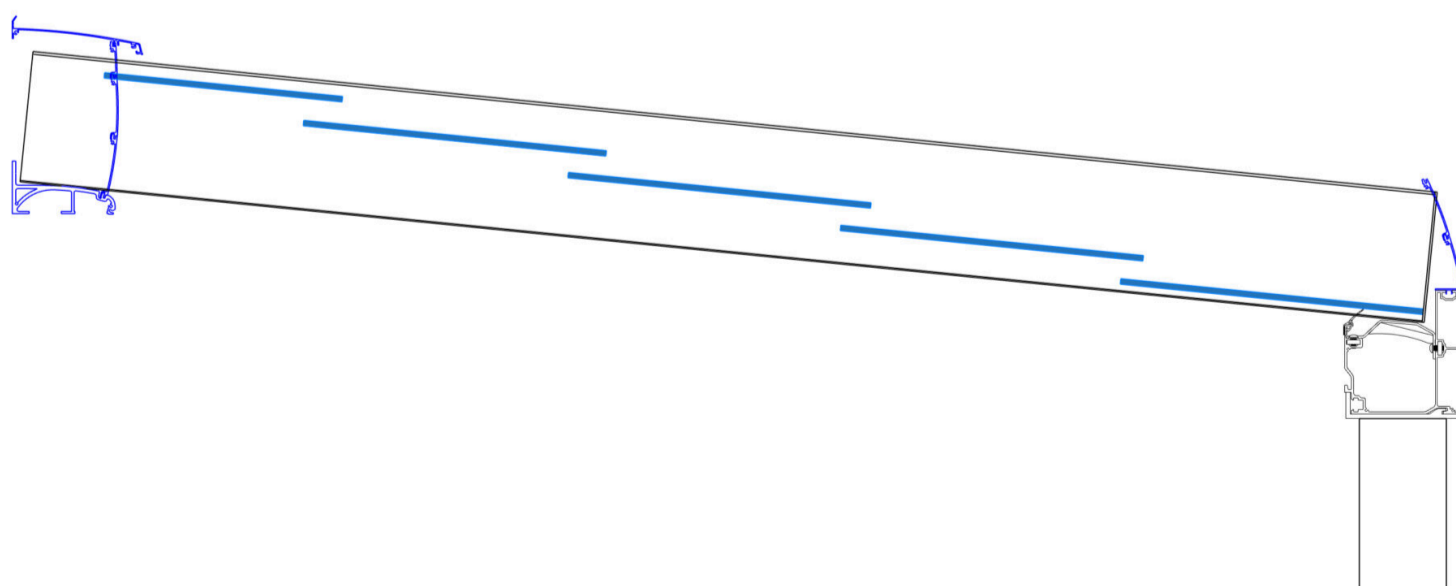
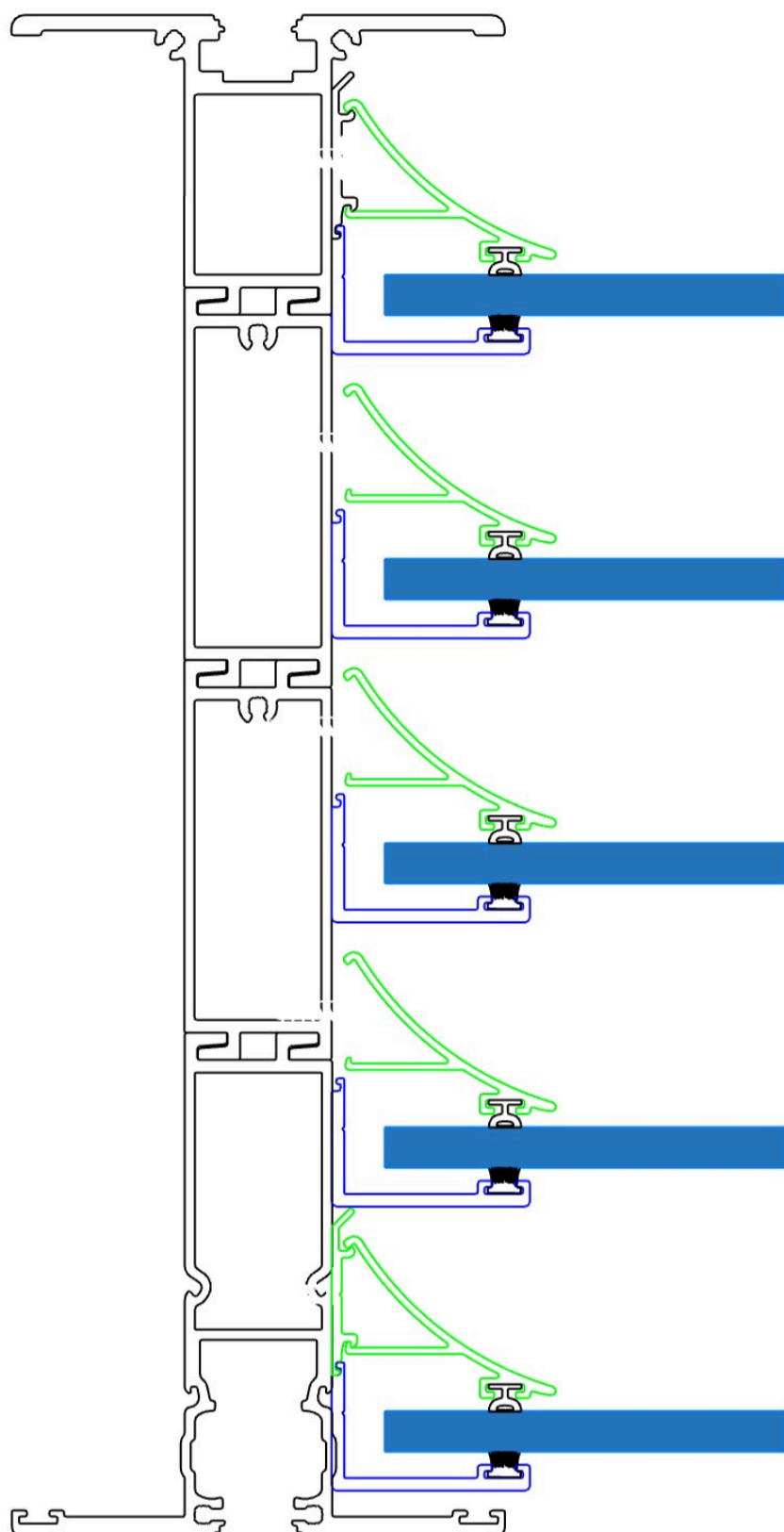
#### PERGOSLIDE FIXED INCLINE - SINGLE LEVEL

The rail profiles are responsible for guiding the glass panels. Depending on their projection, they can be combined to form larger rails with greater access to the glass panels, allowing projections of up to 8 meters.



The rail profiles are responsible for guiding the glass panels. Depending on their projection, they can be combined to form larger rails with greater access to the glass panels, allowing projections of up to 8 meters.

The rail profiles are responsible for guiding the glass panels. Depending on their projection, they can be combined to form larger rails with greater access to the glass panels, allowing projections of up to 8 meters.

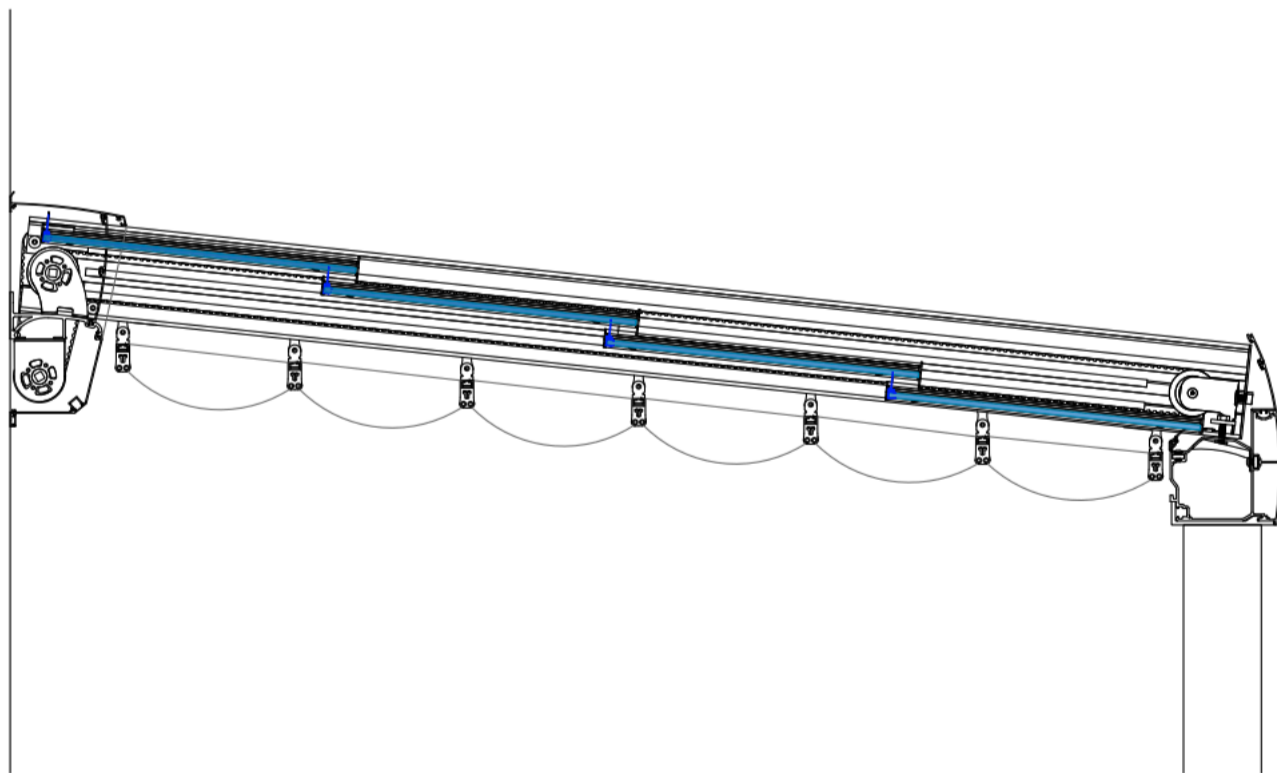


The rail profiles are responsible for guiding the glass panels. Depending on their projection, they can be combined to form larger rails with greater access to the glass panels, allowing projections of up to 8 meters.



## INTEGRATED PERGOFLEX

Pergoslide Glass is a unique product worldwide, designed to offer an integrated and highly functional solution. This system is the only one on the market that allows a retractable canvas or mesh pergola to be incorporated directly into its structure, facilitating precise sunlight control without the need for additional structures. Unlike its competitors, Pergoslide Glass fully integrates the pergola, which can be operated either motorized or manually. It also offers the option of customized lighting and, in its motorized version, is controlled by our sophisticated Toscana Dynamic home automation system. This innovative design is available in both the mobile and retractable versions of Pergoslide Glass, providing a technically advanced and aesthetically superior solution.

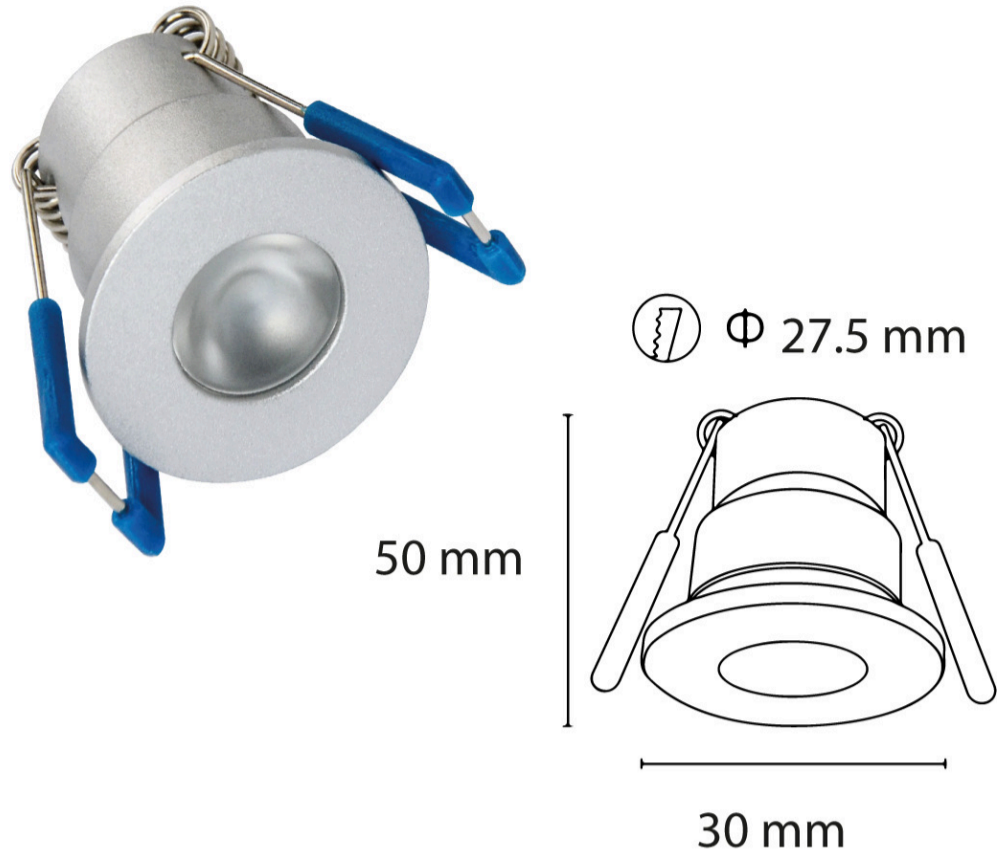


## MECHANICAL SYSTEM

PERGOSLIDE GLASS

## LIGHTNING

It features an LED lighting system that can be installed in the frame of the fabric panel to illuminate the roof. This can be achieved by using LED spotlights. LED strips can be installed on the channel beam, the posts, the protective cover of the retractable motor, and the rails. The lighting can be white, RGB, or RGBW, allowing the light color to be changed using our "Toscana Dynamic" platform.

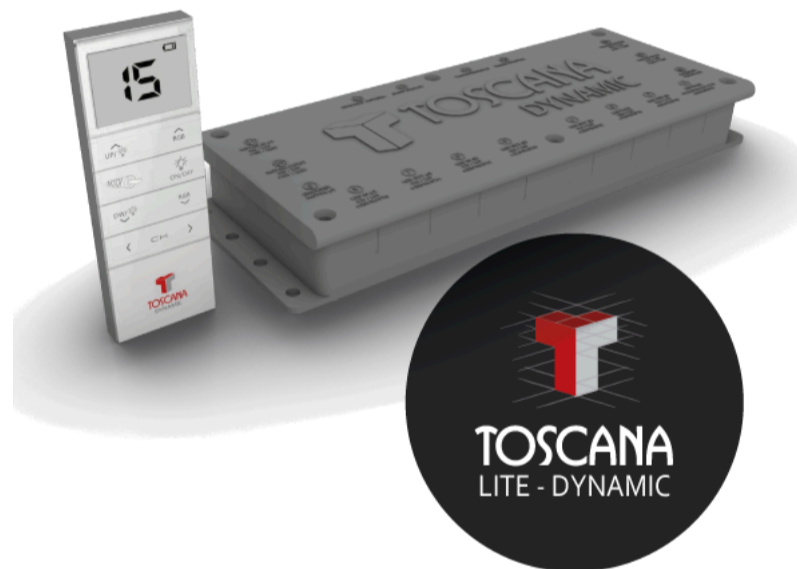




### TUSCANY DYNAMIC PRO

- Changing RGB Colors in Lighting
- Output for 2 wired motors
- Outputs for 15 wireless motors
- 4 RGB and RGBW lighting circuits
- Control from Alexa or Google Home assistant
- Turning on and off from the remote control
- Management from the Toscana Dynamic App
- WEB management from QR Code
- Handling Various Sensors
- Wifi connection
- Scenario Creation

[More information](#)



### TUSCANY DYNAMIC LITE

- Changing RGB Colors in Lighting
- Output for 1 wired motor
- Outputs for 15 wireless motors
- 2 RGB and RGBW lighting circuits
- Control from Alexa or Google Home assistant
- Turning on and off from the remote control
- Management from the Toscana Dynamic App
- WEB management from QR Code
- Handling Various Sensors
- Wifi connection
- Scenario Creation

[More information](#)



## TUSCANY DYNAMIC MINI

- Changing RGB Colors in Lighting
- Output for 1 wired motor
- Outputs for 15 wireless motors
- 2 RGB and RGBW lighting circuits
- Control from Alexa or Google Home assistant
- Turning on and off from the remote control
- Management from the Toscana Dynamic App
- WEB management from QR Code
- Handling Various Sensors
- Wifi connection
- Scenario Creation

[More information](#)



## TUSCANY DYNAMIC MICRO

- Changing RGB Colors in Lighting
- Dimerization
- Turning on and off from the remote control

[More information](#)

## SENSORS



### WEATHER STATION

It includes an anemometer, rain gauge, hygrometer, wind direction indicator, and power supply via a solar panel with a backup battery in case atmospheric conditions prevent solar charging.



### SENSORS

The protection system includes temperature and belt break sensors, preventing mechanical failures that could damage the pergola. Optionally, the customer can add specialized sensors, allowing for greater protection in extreme weather conditions.



## SNOW SENSOR

It allows you to determine the height of the snow in millimeters above the pergola. In addition, in the app, you can review the historical record of how long it lasted and when it fell.



## SMOKE DETECTOR

An alarm that detects the presence of smoke in the air and emits an audible signal warning of a fire hazard. It operates via RF (Radio Frequency).