



TECHNICAL SHEET



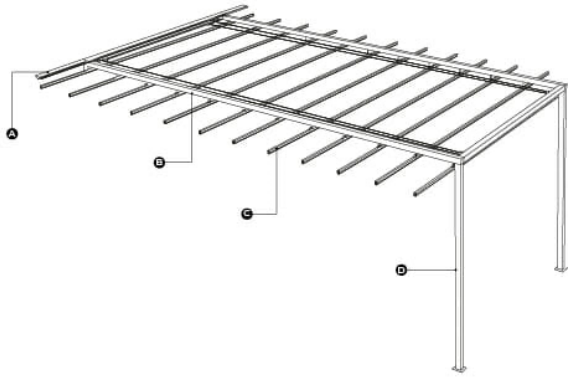
PERGOFLEX ELECTRIC

Pergoflex Electric is an anodized aluminum structure perfect for outdoor use. It is made of acrylic or vinyl fabric, which creates folds that act as a water channel in rainy conditions. One of its advantages is its lightweight structure, which makes it very easy to install in different types of applications. The fabric is fixed to a system of crossbars with specially designed carriages, which move on guide systems within the external profiles, allowing horizontal movement. It withstands strong winds of up to 50 km/h.



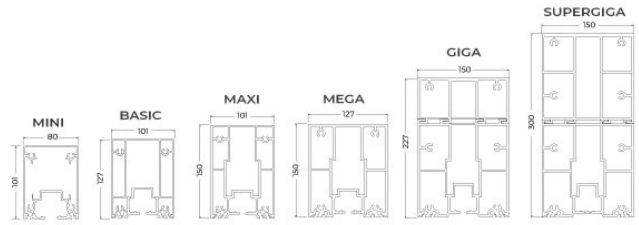
TECHNICAL CHARACTERISTICS

- Structure made of 6063-T5 aluminum profiles.
- Lacquered finish with electrostatic powder coating or anodized.
- Stainless steel screws and fasteners.
- 0% slope.
- It can cover up to 132 m² per double module.
- Resistant to winds up to 7° on the Beaufort scale.
- Torque engine with dual Tuscan transmission.
- RTS remote control, motor and lighting via cell phone.



| | |
|----|------------|
| TO | COVER |
| B | RAIL |
| C | Toothpicks |
| D | POST |

These are the profiles whose function is to serve as a rail for the carriages that deploy the blades to move through.



| | |
|-----------|-----------|
| MINI | 80 x 100 |
| BASIC | 101 X 127 |
| MAXI | 101 X 150 |
| MEGA | 127 X 150 |
| JIG | 150 X 227 |
| SUPERGIGA | 150 X 300 |

ILLUMINATED SMOOTH PROFILES

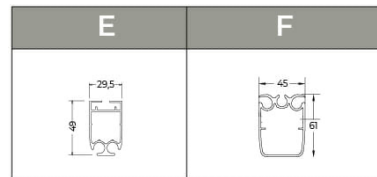
These are the profiles that function as beams and posts, which are responsible for the structure of the pergola. Along with them come the web profiles, which fulfill the function of assembling the different parts of the pergola.

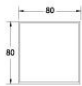
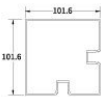
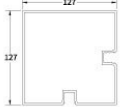
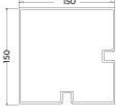
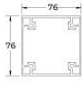

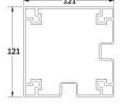
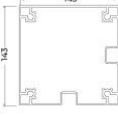
Each profile is compatible with some type of rail:

- A)** Profile 80 x 80 mm – compatible with Mini rail
- B)** Profile 101 x 101 mm – compatible with Basic and Maxi rail
- C)** Profile 127 x 127 mm – compatible with Mega rail
- D)** 150 x 150 mm profile – compatible with Giga and Supergiga rail

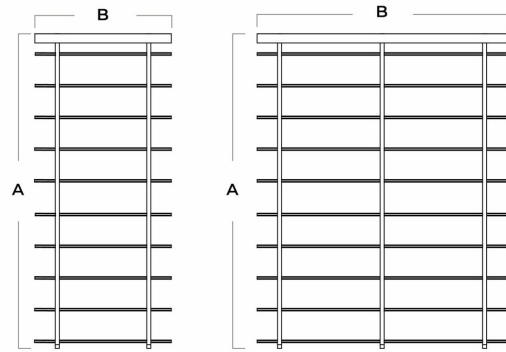
Toothpicks

- E)** Toothpick holder (compatible with all guides)
 - Large stick 84 x 60 mm
 - SPOT small stick 45 x 61 mm
 - Small LED stick 45 x 61 mm
- F)** Channel 131 x 181 x 187 mm (compatible with Mini, Basic, Maxi, Mega, Giga)



| A | B | C | D |
|--|--|--|--|
|  <p>80 80</p> |  <p>101.6 101.6</p> |  <p>127 127</p> |  <p>150 150</p> |
|  <p>76 76</p> |  <p>97.2 97.2</p> |  <p>121 121</p> |  <p>143 143</p> |

| RAILS | A) PROJECTION | | B) LENGTH | |
|-------|---------------|-----------|------------|-----------|
| | 1 MODULE | 2 MODULES | 1 MODULES | 2 MODULES |
| MINI | 2,5 to 5,8 | 2,5 to 5 | 2,5 to 6,5 | 6,5 to 11 |
| BASIC | 2,5 to 7 | 2,5 to 7 | 2,5 to 6,5 | 6,5 to 11 |
| MAXI | 7 to 8 | 7 to 8 | 2,5 to 6,5 | 6,5 to 11 |
| MEGA | 8 to 9,5 | 8 to 9,5 | 2,5 to 6,5 | 6,5 to 11 |
| JIG | 9,5 to 12 | 9,5 to 12 | 2,5 to 6,5 | 6,5 to 11 |

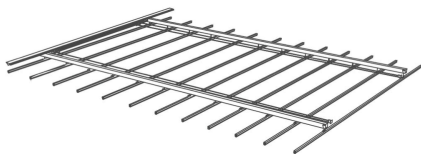


Our standard product withstands up to 60 km/hour at its largest length (12 m x 6.5 m single), (12 m x 11 m for double).

1) Single module 2) Double module

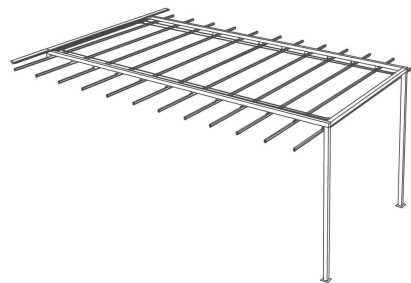
BETWEEN WALLS

This type of configuration allows the pergola to be installed on two facades, one rear and one front, avoiding the use of any support structure, whether posts or tensioners, achieving a clean covered area, without any elements that affect the view.



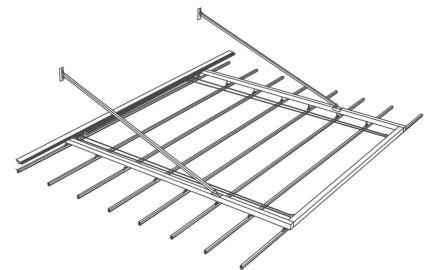
WITH POSTS

This type of configuration allows the pergola to be mounted directly to the facade from the rails; the front, depending on the length, is supported by two or more posts.



SINGLE TENSIONER

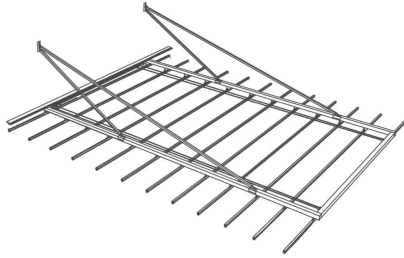
This type of configuration allows the pergola to be attached to the facade using tensioners, leaving the panoramic view clear of any posts. For projections less than 4.5 m, a single tensioner per rail is required.



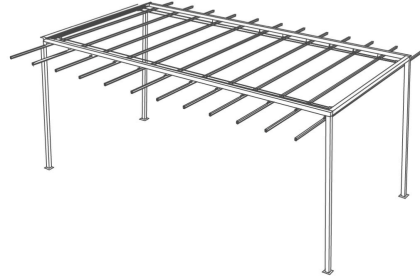
DOUBLE TENSIONER

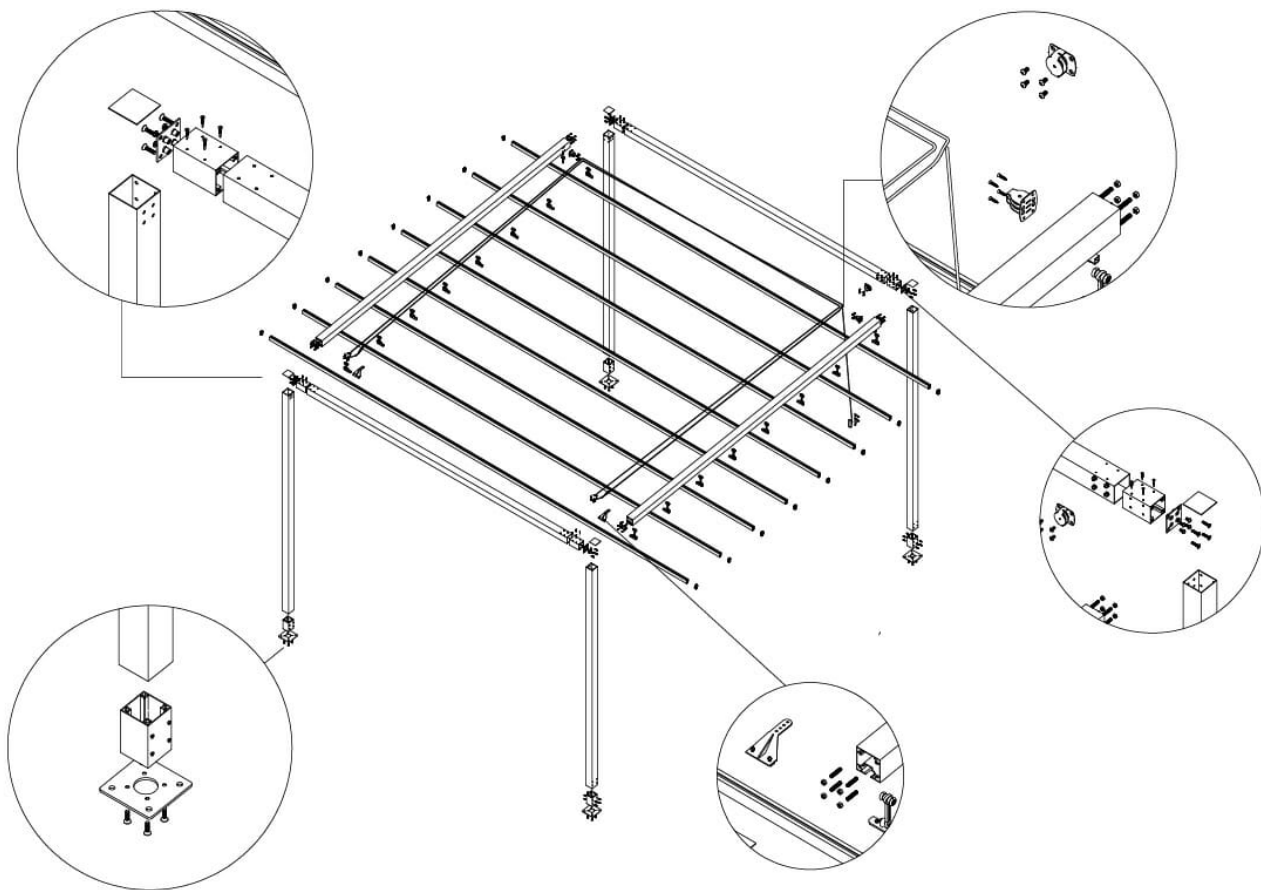
Gazebo

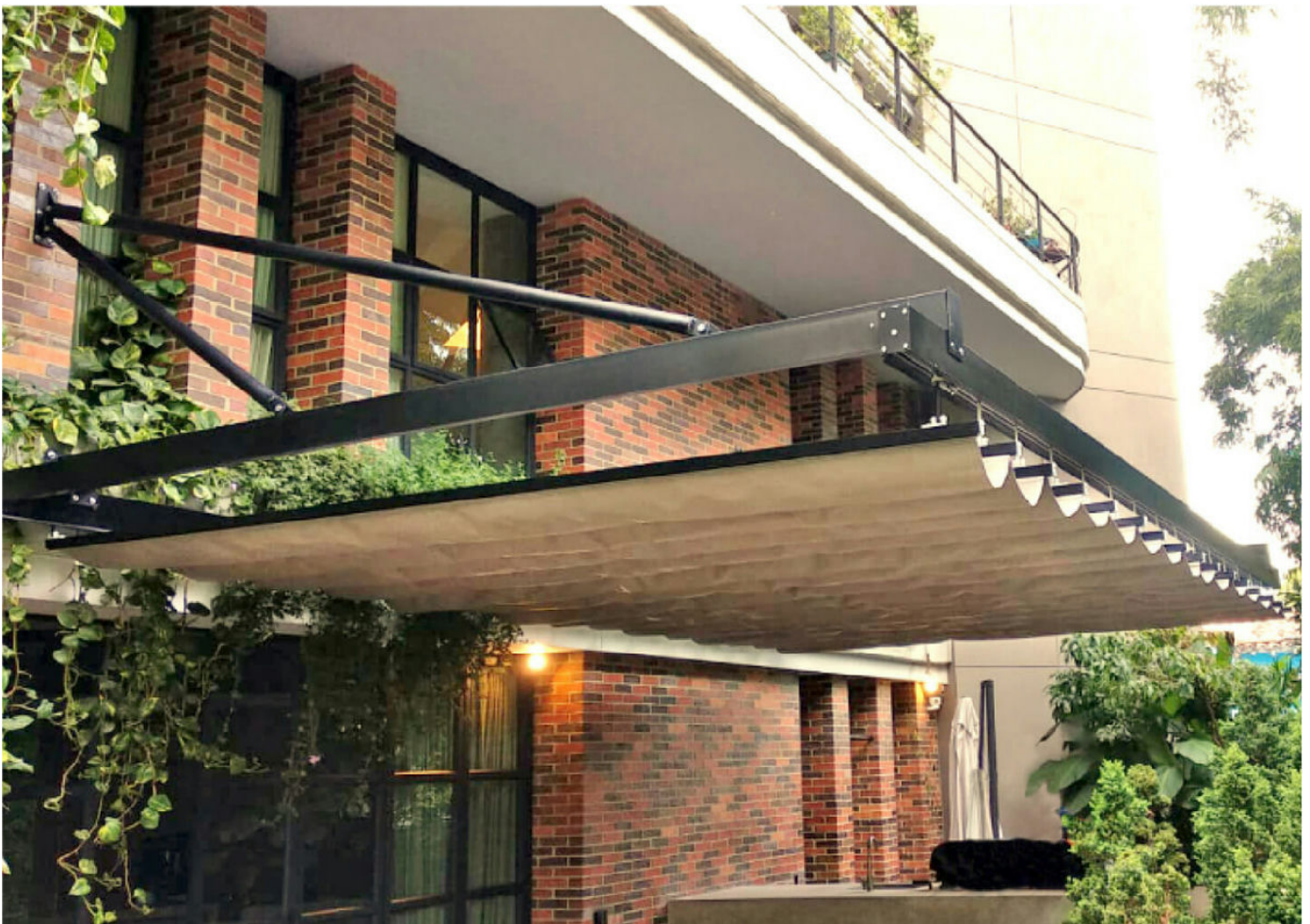
This type of configuration allows the pergola to be attached to the facade using tensioners, leaving the panoramic view clear of any posts. For projections less than 4.5 m, a single tensioner per rail is required.



This type of configuration allows the pergola to be installed self-supportingly, i.e., without the need for a façade, using posts that support the rails at each end.

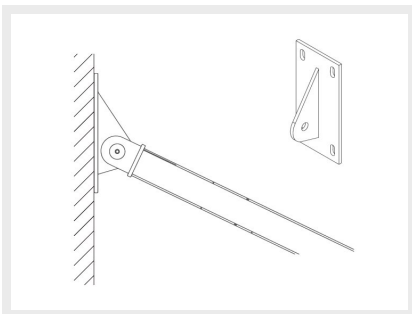






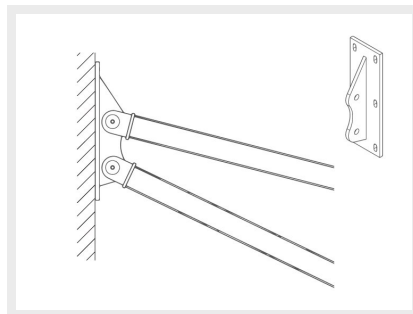
TYPES OF ANCHORING

SINGLE TENSIONER ANCHOR TO WALL



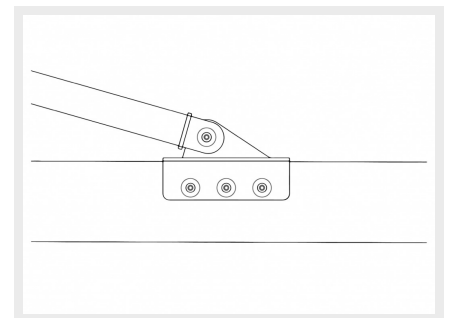
POST TO RAIL FASTENER

DOUBLE TENSIONER ANCHOR TO WALL

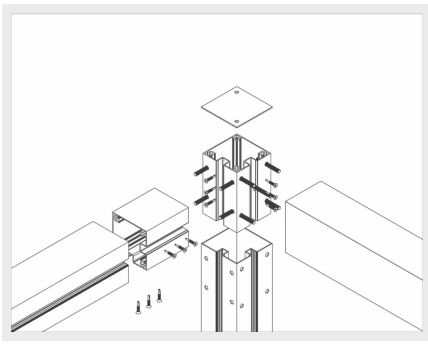


LEVELING FLOOR ANCHOR

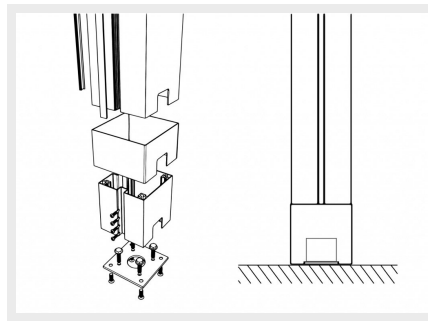
TENSIONER FIXING TO RAIL



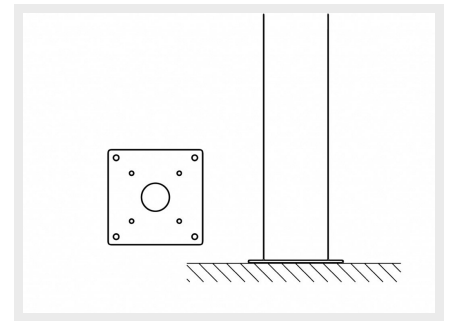
POST TO FLOOR ANCHORING



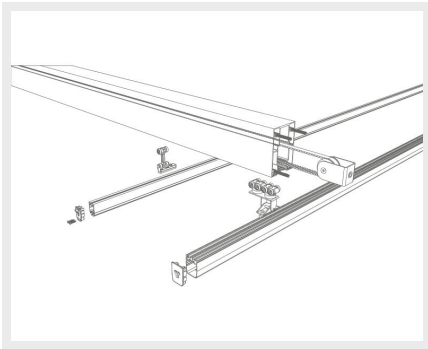
FIXING CHOPSTICKS TO RAIL



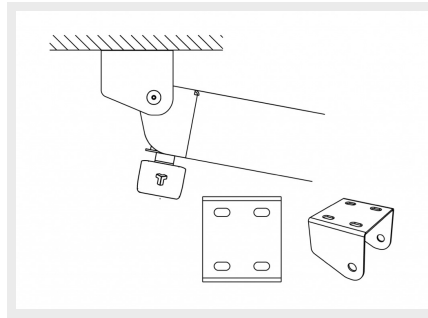
FIXING RAIL TO ROOF



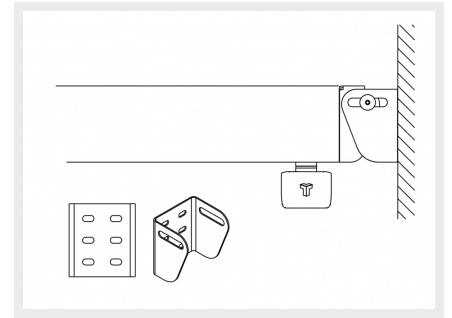
ANCHORING RAIL TO FRONT WALL



LEVELING FLOOR ANCHOR



CEILING SUPPORT

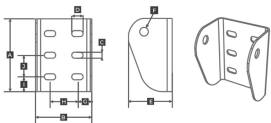


ANCHORING TO REAR WALL

MEASUREMENTS FOR ANCHORS

Note: The anchor for the Mini guide has 4 holes, the anchor for the Basic, Maxi and Mega guide has 6 holes and the Giga anchor has 8 holes.

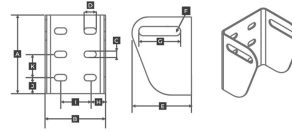
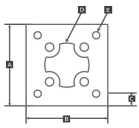
ANCHORING TO FRONT WALL



| GUÍA | MINI | BASIC | MAXI | MEGA | GIGA |
|------|------|-------|------|------|------|
| A | 100 | 121,5 | 144 | 144 | 215 |
| B | 68 | 94 | 92,5 | 118 | 138 |
| C | 10,5 | 10 | 10,5 | 10,5 | 10,5 |
| D | 20 | 19 | 21 | 21 | 21 |
| E | 51 | 73 | 102 | 102 | 142 |
| F | 15 | 15 | 15 | 15 | 15 |
| G | 15 | 25 | 25 | 33 | 35 |
| H | 32 | 50 | 41 | 52 | 69 |
| I | 24 | 25 | 25 | 25 | 25 |
| J | 52 | 36 | 47 | 47 | 55 |

| GUÍA | MINI | BASIC | MAXI | MEGA | GIGA |
|------|------|-------|------|------|------|
| A | 83 | 83 | 83 | 135 | 160 |
| B | 100 | 109 | 109 | 109 | 120 |
| C | 11 | 11 | 11 | 11 | 11 |
| D | 20 | 20 | 20 | 20 | 20 |
| E | 20 | 20 | 20 | 20 | 20 |
| F | 43 | 69 | 69 | 48 | 60 |
| G | 51 | 51 | 51 | 51 | 71 |
| H | 25 | 25 | 25 | 25 | 25 |
| I | 60 | 80 | 90 | 120 | 130 |
| J | Ø15 | Ø15 | Ø15 | Ø15 | Ø15 |

| POSTES | MINI | BASIC | MAXI | MEGA | GIGA |
|--------|-------|-------|-------|------|------|
| A | 80 | 101,6 | 101,6 | 121 | 143 |
| B | 80 | 101,6 | 101,6 | 121 | 143 |
| C | 12,65 | 14,3 | 14,3 | 16,5 | 16 |
| D | 40 | 55 | 55 | 55 | 55 |
| E | 6,5 | 8,5 | 8,5 | 12,5 | 12,5 |



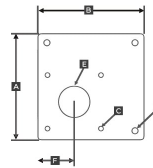
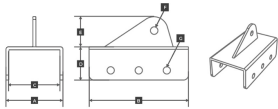
| GUÍA | MINI | BASIC | MAXI | MEGA | GIGA |
|----------|------|-------|------|------|------|
| A | 97 | 121,5 | 144 | 144 | 221 |
| B | 86,5 | 109 | 112 | 135 | 168 |
| C | 10,5 | 10,2 | 10,5 | 10,5 | 10,5 |
| D | 21,5 | 20 | 21 | 21 | 21 |
| E | 72,5 | 93 | 100 | 92 | 120 |
| F | 14,5 | 14,5 | 15 | 15 | 15 |
| G | 47,5 | 65,5 | 65,5 | 66 | 66 |
| H | 25 | 32 | 32 | 30 | 35 |
| I | 38 | 46 | 49 | 73 | 98 |
| J | 21 | 25 | 25 | 25 | 28 |
| K | 55 | 36 | 74 | 47 | 55 |

FIXING RAIL TO TENSIONER

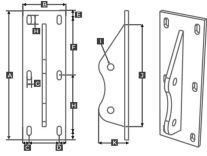
| GUÍA | MINI | BASIC | MAXI | MEGA | GIGA |
|----------|------|-------|------|------|------|
| A | 94 | 115 | N/A | N/A | N/A |
| B | 150 | 200 | N/A | N/A | N/A |
| C | 82 | 103 | N/A | N/A | N/A |
| D | 67 | 67 | N/A | N/A | N/A |
| E | 60 | 60 | N/A | N/A | N/A |
| F | 43 | 69 | N/A | N/A | N/A |
| G | 15 | 15 | N/A | N/A | N/A |
| H | 15 | 15 | N/A | N/A | N/A |

CORNER FLOOR ANCHOR (LEFT OR RIGHT)

| POSTES | MINI | BASIC | MAXI | MEGA | GIGA |
|----------|------|-------|------|------|------|
| A | 120 | 150 | 150 | 200 | 220 |
| B | 120 | 150 | 150 | 200 | 220 |
| C | 6,5 | 8,5 | 8,5 | 10,5 | 10,5 |
| D | 13 | 13 | 13 | 13 | 13 |
| E | 52 | 65 | 65 | 76,4 | 76,4 |
| F | 41,3 | 53 | 53 | 65,5 | 80,5 |

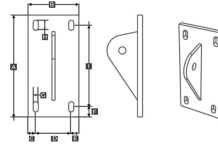


DOUBLE TENSIONER WALL ANCHOR



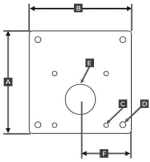
| GUÍA | MINI | BASIC | MAXI | MEGA | GIGA |
|----------|-------|-------|------|------|------|
| A | 300 | 100 | N/A | N/A | N/A |
| B | 100 | 100 | N/A | N/A | N/A |
| C | 15 | 15 | N/A | N/A | N/A |
| D | 70 | 20 | N/A | N/A | N/A |
| E | 19,75 | 19,75 | N/A | N/A | N/A |
| F | 130 | 130 | N/A | N/A | N/A |
| G | 10,5 | 10,5 | N/A | N/A | N/A |
| H | 20 | 20 | N/A | N/A | N/A |
| I | 15 | 15 | N/A | N/A | N/A |
| J | 240 | 240 | N/A | N/A | N/A |
| K | 68,5 | 68,5 | N/A | N/A | N/A |

SINGLE TENSION WALL ANCHOR



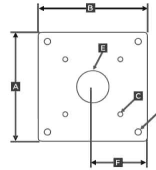
| GUÍA | MINI | BASIC | MAXI | MEGA | GIGA |
|----------|-------|-------|------|------|------|
| A | 200 | 200 | N/A | N/A | N/A |
| B | 100 | 100 | N/A | N/A | N/A |
| C | 15 | 15 | N/A | N/A | N/A |
| D | 70 | 20 | N/A | N/A | N/A |
| E | 15 | 15 | N/A | N/A | N/A |
| F | 160,5 | 160,5 | N/A | N/A | N/A |
| G | 10,5 | 10,5 | N/A | N/A | N/A |
| H | 20 | 20 | N/A | N/A | N/A |
| I | 15 | 15 | N/A | N/A | N/A |
| J | 140 | 140 | N/A | N/A | N/A |
| K | 66 | 66 | N/A | N/A | N/A |

FLOOR TO WALL ANCHOR



| POSTES | MINI | BASIC | MAXI | MEGA | GIGA |
|----------|------|-------|------|------|------|
| A | 120 | 150 | 150 | 200 | 220 |
| B | 160 | 200 | 200 | 230 | 250 |
| C | 6,5 | 8,5 | 8,5 | 10,5 | 10,5 |
| D | 13 | 13 | 13 | 13 | 13 |
| E | 52 | 65 | 65 | 76,4 | 12,5 |
| F | 80 | 100 | 100 | 115 | 125 |

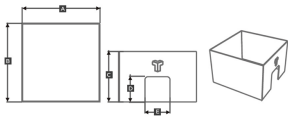
CENTRED FLOOR ANCHOR



| POSTES | MINI | BASIC | MAXI | MEGA | GIGA |
|----------|------|-------|------|------|------|
| A | 120 | 150 | 150 | 200 | 220 |
| B | 120 | 150 | 150 | 200 | 220 |
| C | 6,5 | 8,5 | 8,5 | 10,5 | 10,5 |
| D | 10,5 | 13 | 13 | 13 | 13 |
| E | 52 | 65 | 65 | 76,4 | 76,4 |
| F | 60 | 75 | 75 | 100 | 110 |

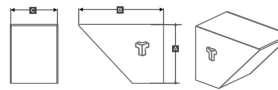
PERGODECO

DECO POST

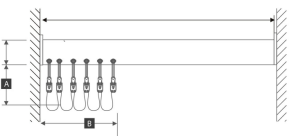
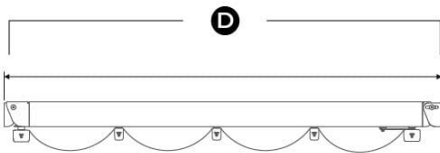
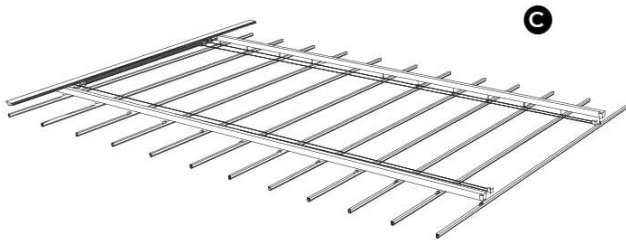


| POSTES | MINI | BASIC | MAXI | MEGA | GIGA |
|----------|------|-------|------|------|------|
| A | 120 | 150 | 150 | 200 | 220 |
| B | 120 | 150 | 150 | 200 | 220 |
| C | 6,5 | 8,5 | 8,5 | 10,5 | 10,5 |
| D | 10,5 | 13 | 13 | 13 | 13 |
| E | 52 | 65 | 65 | 76,4 | 76,4 |

DECO RAIL

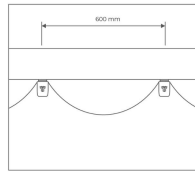


| POSTES | MINI | BASIC | MAXI | MEGA | GIGA |
|----------|------|-------|------|------|------|
| A | 120 | 150 | 200 | 220 | 232 |
| B | 120 | 150 | 200 | 220 | 337 |
| C | 85 | 106 | 106 | 132 | 155 |



| RAILS | MINI | | | | BASIC | | MAXI |
|------------|------|-----|-----|-----|-------|-----|------|
| PROJECTION | 200 | 300 | 400 | 500 | 600 | 700 | 800 |
| TO | 49 | 51 | 56 | 60 | 65 | 69 | 76 |
| B | 57 | 66 | 78 | 89 | 95 | 106 | 121 |
| C | 42 | 51 | 63 | 74 | 84 | 95 | 106 |

| RAILS | MEGA | JIG | | | SUPER GIGA | | |
|------------|------|------|------|------|------------|------|------|
| PROJECTION | 950 | 1000 | 1100 | 1200 | 1300 | 1400 | 1500 |
| TO | 80 | 85 | 89 | 94 | 99 | 104 | 109 |
| B | 132 | 143 | 154 | 165 | 176 | 187 | 198 |
| C | 117 | 128 | 139 | 150 | 161 | 172 | 183 |



If greater resistance is required for the blade due to snow load, they can be placed at least 45 cm apart.

- A) Height of the retracted canvas.
- B) Projection of the retracted canvas.
- C) Model.
- D) Water discharge outlet.

ENGINE

Our pergolas feature a motor exclusive to the Toscana brand, which consists of dual drive and torque shafts, allowing for permanent and maximum tension on the fabric when extended, preventing any pooling of water.



REMOTE CONTROL:

Controls up to 15 motors, allows dimming, color change, turning on and off up to 4 cover circuits and turning on the lighting.

| DOUBLE ENGINE TRANSMISSION 110V- 60HZ (UL) – 220V / 30HZ (CE) | 130 V | 220 V |
|--|--------------|--------------|
| Rated Torque (Nm) | 2X25 | 2X25 |
| Rated Speed (Rpm) | 26 | 32 |
| Rated Current (A) | 2.22 | 4.58 |
| Rated Power (w) | 490 | 550 |
| Degree of Protection (IP) | IP44 | IP44 |
| Maximum Limit turn (Turn) | ∞ | ∞ |
| Running Time (Min) | >4 | >4 |
| Temperature (°C) | -10C° / 50°c | -10C° / 50°c |
| L1/L2(mm) | 545/411 | 545/411 |
| Certification | UL | EC |