



TECHNICAL SHEET



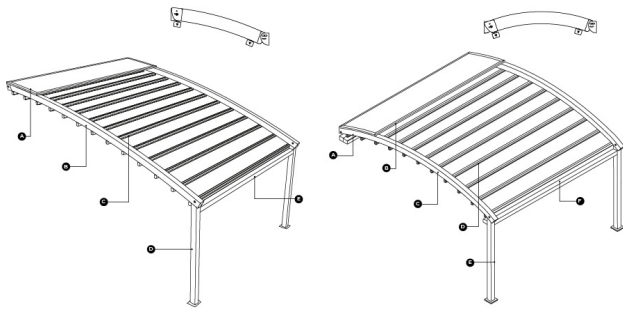
PERGODOM CLASSIC

Pergodom is a combination of a pergola and a roll-up awning, which is tensioned when open. The fabric is attached to a system of transverse aluminum poles, which move along curved rails thanks to specially designed trolleys. It operates with an electric motor specifically designed for this product, guaranteed to withstand severe weather changes and winds of up to 80 km/h (resistance under the weight of snow is not guaranteed).



TECHNICAL CHARACTERISTICS

- Structure made of 6063-T5 aluminum profiles.
- Lacquered finish with electrostatic powder coating or anodized.
- Stainless steel screws and fasteners.
- 25% slope.
- It can cover up to 162 m² in the triple module configuration.
- Resistant to winds up to 9° on the Beaufort scale.
- Torque engine with dual Tuscan transmission.
- RTS remote control, motor and lighting, option via cell phone.
- All our products are "ALL SEASONS".



CONVENTIONAL DESIGN

TO	COVER
B	GUIDE
C	Toothpicks
D	POST
AND	CHANNEL

HORIZONTAL DESIGN

TO	CHANNEL
B	COVER
C	RAIL
D	Toothpicks
AND	POST
F	CHANNEL

ILLUMINATED SMOOTH PROFILES

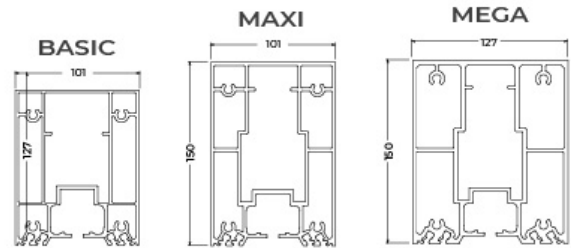
These are the profiles that function as beams and posts, which are responsible for the structure of the pergola. Along with them come the web profiles, which fulfill the function of assembling the different parts of the pergola.

Each profile is compatible with some type of rail:

A) Profile 101.6 x 101.6 mm – compatible with Basic and Maxi rail

B) Profile 127x 127 mm – compatible with Mega rail

These are the profiles whose function is to serve as a rail for the carriages that deploy the blades to move through.



BASIC	101 X 127
MAXI	101 X 150
MEGA	127 X 150

Toothpicks

C) Toothpick holder (compatible with all guides)

-Large stick 84 x 60 mm

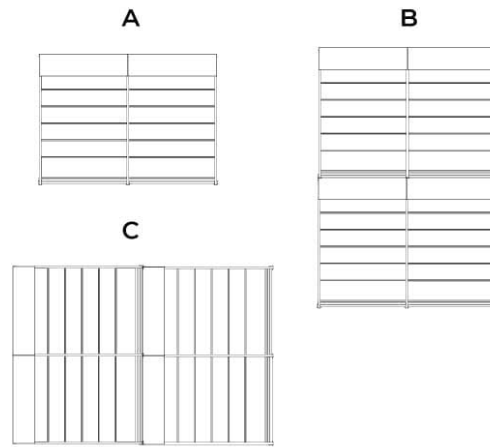
-SPOT small stick 45 x 61 mm

-Small LED stick 45 x 61 mm

A	B	C	D

RAILS	A) PROJECTION			B) LENGTH		
	1 MODULE	2 MODULES	3 MODULES	1 MODULE	2 MODULES	3 MODULES
BASIC	2,5 to 7	2,5 to 7	2,5 to 7	2,5 to 5	5 to 9	9 to 13,5
MAXI	7 to 9	7 to 9	7 to 9	2,5 to 5	5 to 9	9 to 13,5
MEGA	9 to 12	9 to 12	9 to 12	2,5 to 5	5 to 9	9 to 13,5

Our standard product withstands up to 90 km/hour at its largest length (12 m x 5 m single), (12 m x 9 m for double) or (12 m x 13,5 m for triple).



1) Single module 2) Double module 3) Triple module

INSTALLATION TYPES (CONVENTIONAL AND HORIZONTAL)

BETWEEN WALLS

This type of configuration allows the pergola to be installed on two facades, one rear and one front, avoiding the use of any support structure, whether posts or tensioners, achieving a clean covered area, without any elements that affect the view.

WITH POSTS

This type of configuration allows the pergola to be installed directly onto the facade from the rails; in front, depending on the length, it is supported by two or more posts.

WITH TENSIONERS

This type of configuration allows the pergola to be attached to the facade using tensioners, leaving free of any posts. For projections less than 4,5 m, a single tensioner per rail is required. For projections greater than 4,5 m, a double tensioner per rail is required.

Gazebo

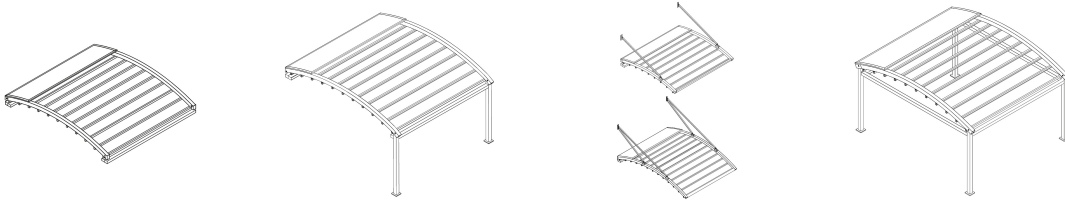
This type of configuration allows the pergola to be installed self-supportingly, i.e., without the need for a façade, using posts that support the rails at each end.

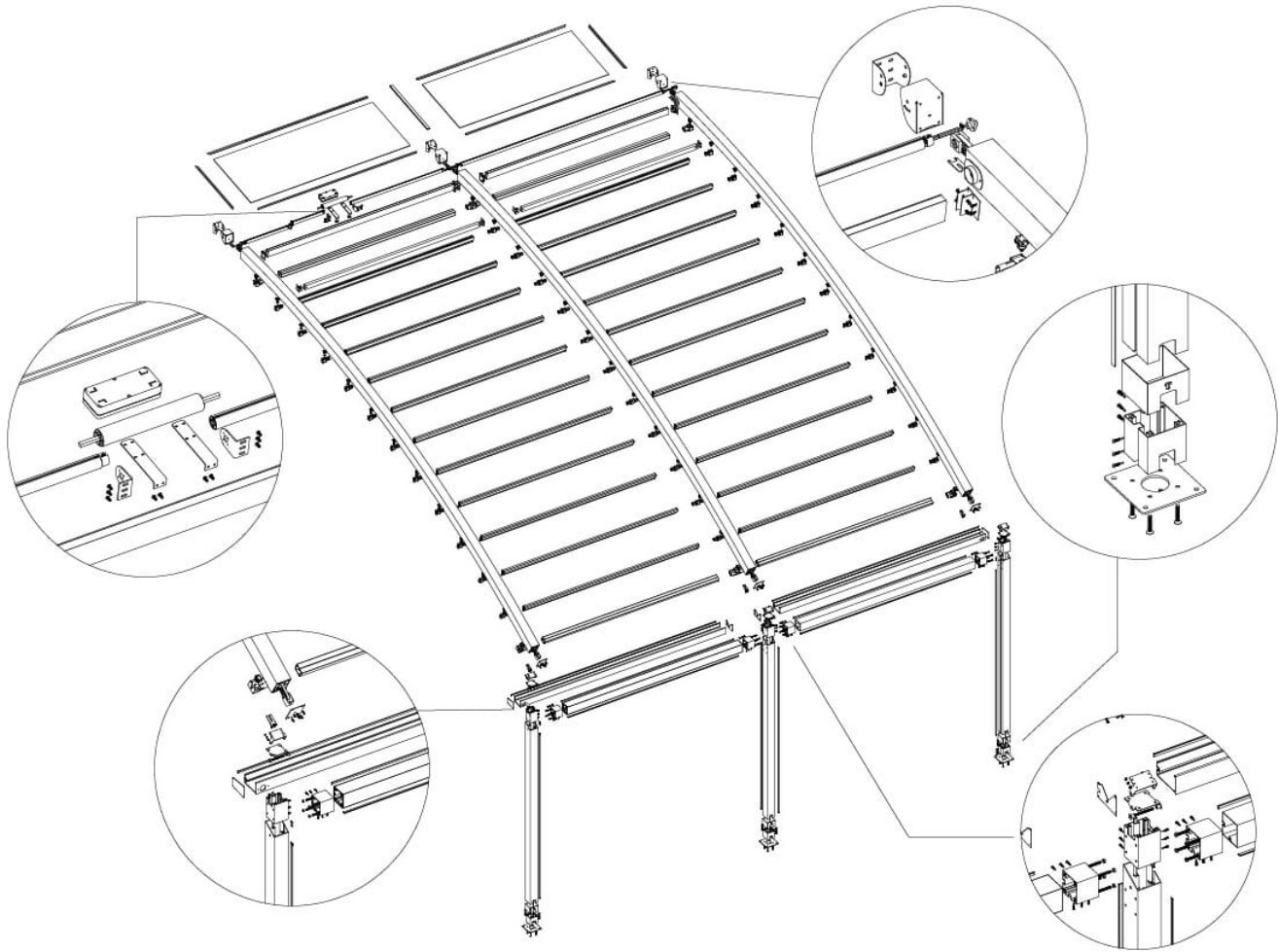
DOUBLE GAZEBO

This type of configuration allows the pergola to be installed in the same way as a conventional gazebo, however, it allows for a larger area to be covered because it consists of two pergolas that share the same rear posts.



HORIZONTAL



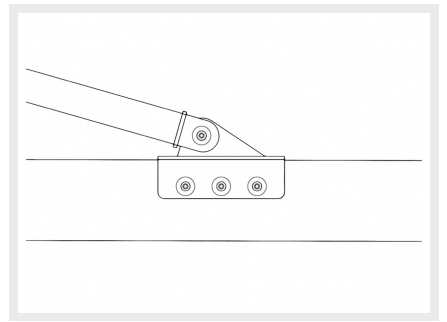
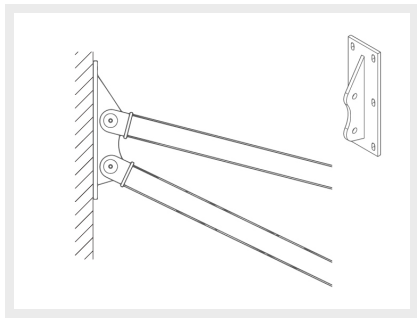
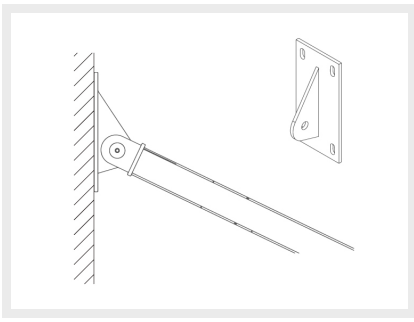


TYPES OF ANCHORING

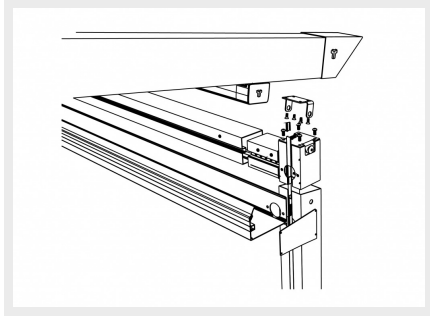
**SINGLE TENSIONER ANCHOR TO
WALL**

**DOUBLE TENSIONER ANCHOR TO
WALL**

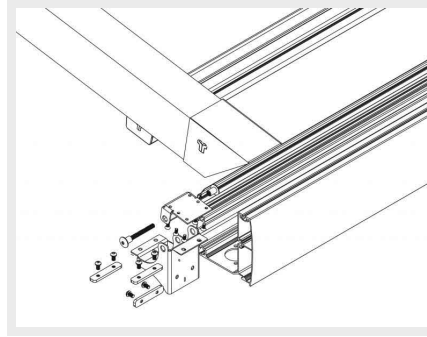
**ATTACHING THE TENSIONER TO
THE RAIL**



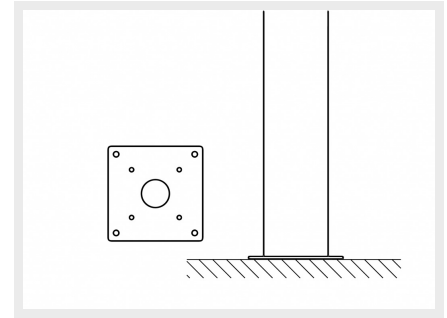
FASTENING A POST TO A CHANNEL BEAM



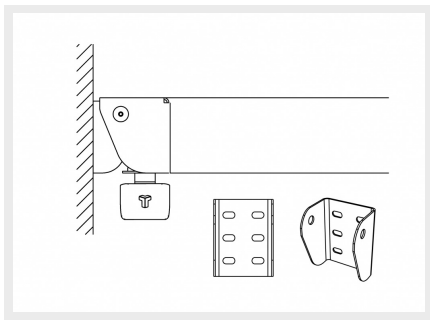
FASTENING RAIL TO CHANNEL BEAM



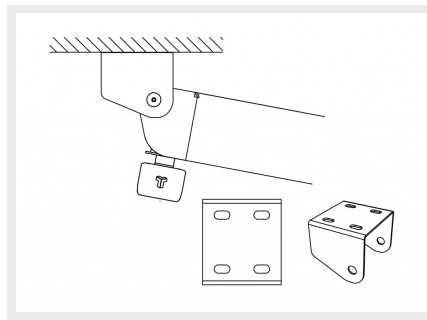
POST TO FLOOR ANCHORING



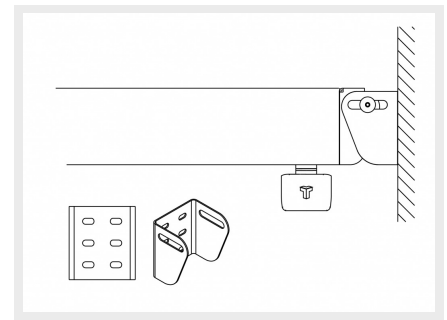
ANCHORING RAIL TO REAR WALL



ROOF RAIL ANCHOR



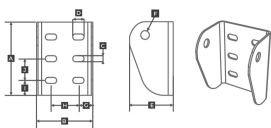
ANCHORING RAIL TO FRONT WALL



MEASUREMENTS FOR ANCHORS

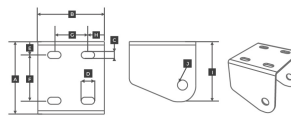
Note: The anchor for the Mini guide has 4 holes, the anchor for the Basic, Maxi and Mega guide has 6 holes and the Giga anchor has 8 holes.

ANCHORING TO FRONT WALL



GUÍA	MINI	BASIC	MAXI	MEGA	GIGA
A	100	121,5	144	144	215
B	68	94	92,5	118	138
C	10,5	10	10,5	10,5	10,5
D	20	19	21	21	21
E	51	73	102	102	142
F	15	15	15	15	15
G	15	25	25	33	35
H	32	50	41	52	69
I	24	25	25	25	25
J	52	36	47	47	55

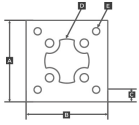
CEILING SUPPORT



GUÍA	MINI	BASIC	MAXI	MEGA	GIGA
A	83	83	83	135	160
B	100	109	109	109	120
C	11	11	11	11	11
D	20	20	20	20	20
E	20	20	20	20	20
F	43	69	69	48	60
G	51	51	51	51	71
H	25	25	25	25	25
I	60	80	90	120	130
J	Ø15	Ø15	Ø15	Ø15	Ø15

LEVELING FLOOR

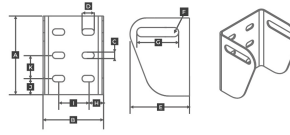
ANCHOR



POSTES	MINI	BASIC	MAXI	MEGA	GIGA
A	80	101,6	101,6	121	143
B	80	101,6	101,6	121	143
C	12,65	14,3	14,3	16,5	16
D	40	55	55	55	55
E	6,5	8,5	8,5	12,5	12,5

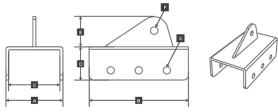
ANCHORING TO REAR

WALL



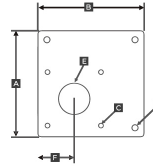
GUÍA	MINI	BASIC	MAXI	MEGA	GIGA
A	97	121,5	144	144	221
B	86,5	109	112	135	168
C	10,5	10,2	10,5	10,5	10,5
D	21,5	20	21	21	21
E	72,5	93	100	92	120
F	14,5	14,5	15	15	15
G	47,5	65,5	65,5	66	66
H	25	32	32	30	35
I	38	46	49	73	98
J	21	25	25	25	28
K	55	36	74	47	55

FIXING RAIL TO TENSIONER



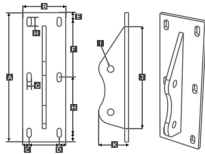
GUÍA	MINI	BASIC	MAXI	MEGA	GIGA
A	94	115	N/A	N/A	N/A
B	150	200	N/A	N/A	N/A
C	82	103	N/A	N/A	N/A
D	67	67	N/A	N/A	N/A
E	60	60	N/A	N/A	N/A
F	43	69	N/A	N/A	N/A
G	15	15	N/A	N/A	N/A
H	15	15	N/A	N/A	N/A

CORNER FLOOR ANCHOR (LEFT OR RIGHT)



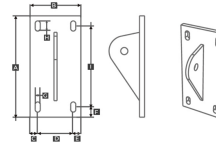
POSTES	MINI	BASIC	MAXI	MEGA	GIGA
A	120	150	150	200	220
B	120	150	150	200	220
C	6,5	8,5	8,5	10,5	10,5
D	13	13	13	13	13
E	52	65	65	76,4	76,4
F	41,3	53	53	65,5	80,5

DOUBLE TENSIONER WALL ANCHOR



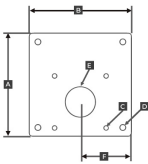
GUÍA	MINI	BASIC	MAXI	MEGA	GIGA
A	300	100	N/A	N/A	N/A
B	100	100	N/A	N/A	N/A
C	15	15	N/A	N/A	N/A
D	70	20	N/A	N/A	N/A
E	19,75	19,75	N/A	N/A	N/A
F	130	130	N/A	N/A	N/A
G	10,5	10,5	N/A	N/A	N/A
H	20	20	N/A	N/A	N/A
I	15	15	N/A	N/A	N/A
J	240	240	N/A	N/A	N/A
K	68,5	68,5	N/A	N/A	N/A

SINGLE TENSION WALL ANCHOR



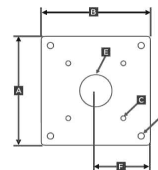
GUÍA	MINI	BASIC	MAXI	MEGA	GIGA
A	200	200	N/A	N/A	N/A
B	100	100	N/A	N/A	N/A
C	15	15	N/A	N/A	N/A
D	70	20	N/A	N/A	N/A
E	15	15	N/A	N/A	N/A
F	160,5	160,5	N/A	N/A	N/A
G	10,5	10,5	N/A	N/A	N/A
H	20	20	N/A	N/A	N/A
I	15	15	N/A	N/A	N/A
J	140	140	N/A	N/A	N/A
K	66	66	N/A	N/A	N/A

FLOOR TO WALL ANCHOR



POSTES	MINI	BASIC	MAXI	MEGA	GIGA
A	120	150	150	200	220
B	160	200	200	230	250
C	6,5	8,5	8,5	10,5	10,5
D	13	13	13	13	13
E	52	65	65	76,4	12,5
F	80	100	100	115	125

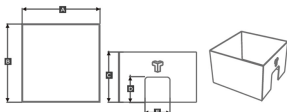
CENTRED FLOOR ANCHOR



POSTES	MINI	BASIC	MAXI	MEGA	GIGA
A	120	150	150	200	220
B	120	150	150	200	220
C	6,5	8,5	8,5	10,5	10,5
D	10,5	13	13	13	13
E	52	65	65	76,4	76,4
F	60	75	75	100	110

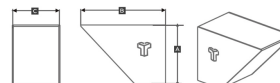
PERGODECO

DECO POST

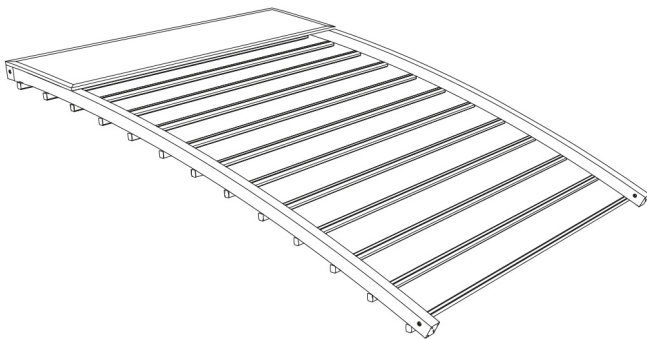


POSTES	MINI	BASIC	MAXI	MEGA	GIGA
A	120	150	150	200	220
B	120	150	150	200	220
C	6,5	8,5	8,5	10,5	10,5
D	10,5	13	13	13	13
E	52	65	65	76,4	76,4

DECO RAIL

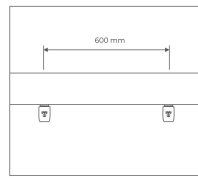
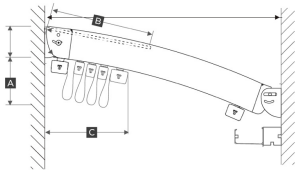


POSTES	MINI	BASIC	MAXI	MEGA	GIGA
A	120	150	200	220	232
B	120	150	200	220	337
C	85	106	106	132	155



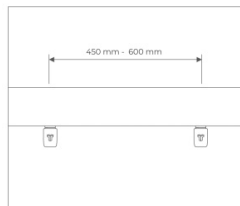
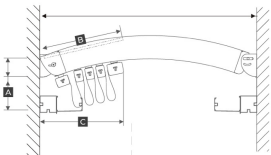
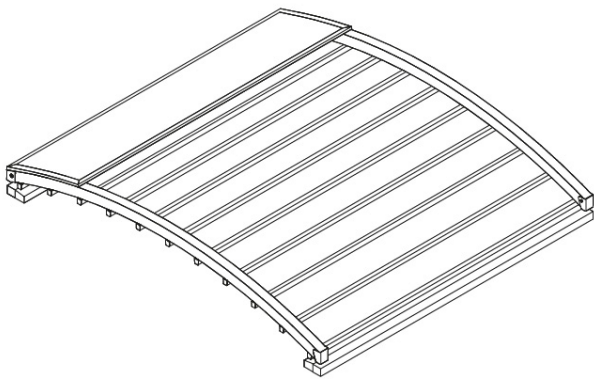
RAILS	BASIC					
PROJECTION	200	300	400	500	600	700
TO	49	51	56	60	65	69
B	57	66	78	89	95	106
C	42	51	63	74	84	95

RAILS	MAXI		MEGA		
PROJECTION	800	950	1000	1100	1200
TO	76	80	85	89	94
B	121	132	143	154	165
C	106	117	128	139	150



If greater resistance is required for the blade due to snow load, they can be placed at least 45 cm apart.

- A) Height of the retracted canvas.
- B) Polycarbonate projection.
- C) Projection of the retracted canvas.



RAILS	BASIC					
PROJECTION	200	300	400	500	600	700
TO	49	51	56	60	65	69
B	57	66	78	89	95	106
C	42	51	63	74	84	95

RAILS	MAXI		MEGA		
PROJECTION	800	950	1000	1100	1200
TO	76	80	85	89	94
B	121	132	143	154	165
C	106	117	128	139	150

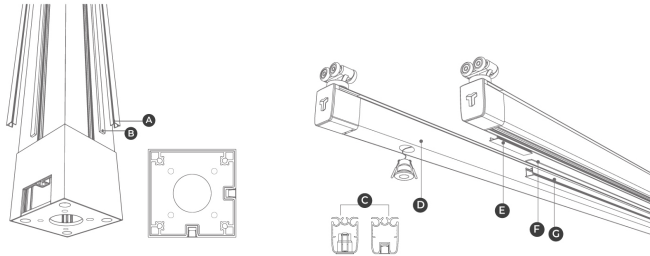
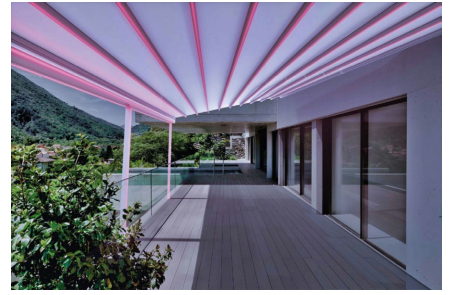
If greater resistance is required for the blade due to snow load, they can be placed at least 45 cm apart.

- A) Height of the retracted canvas.
- B) Polycarbonate projection.
- C) Projection of the retracted canvas.

WHITE LED LIGHTING

RGB – RGBW LIGHTING

It features an LED lighting system that can be installed in the slatted profiles to illuminate the roof. This can be done using LED strips or LED spotlights. It can be installed on the front and rear beams to achieve perimeter lighting, and also on the posts, which can be distributed in independent circuits. Thanks to the design of the translucent diffuser profile, we can create continuous lines of light, achieving an elegant and modern finish. The lighting can be white, RGB, or RGBW, which allows the light color to be changed.

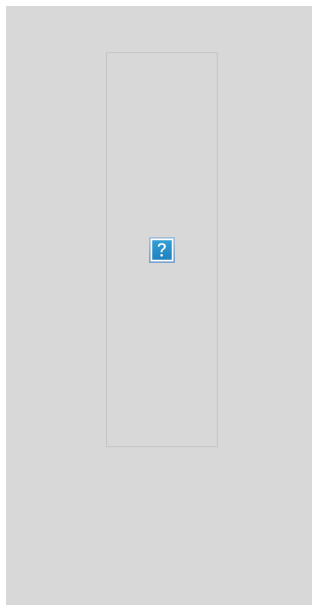


TO	DIFFUSER PROFILE
B	LED STRIP
C	SPOT/LED STICK
D	SPOT
AN	LIGHT COVER PROFILE
D	PROFILE
F	LED STRIP
G	DIFFUSER PROFILE



ENGINE

Our pergolas feature a motor exclusive to the Toscana brand, which consists of dual drive and torque shafts, allowing for permanent and maximum tension on the fabric when extended, preventing any pooling of water.



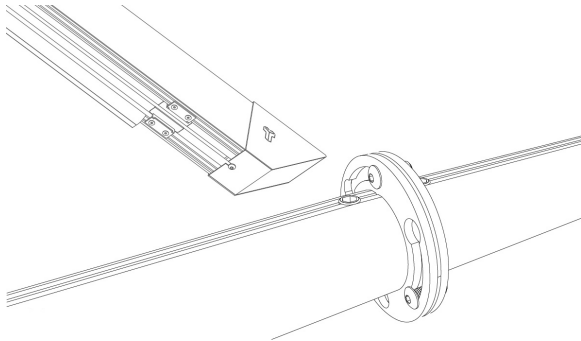


REMOTE CONTROL:

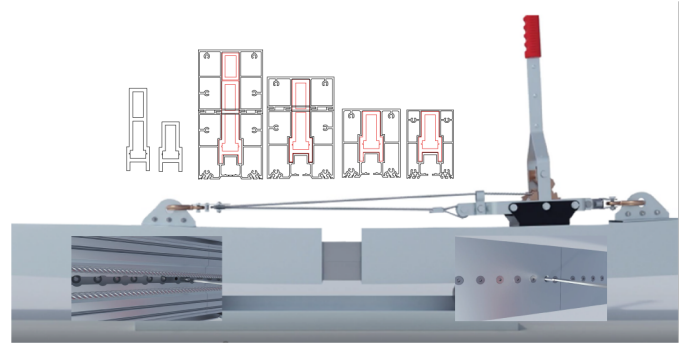
Controls up to 15 motors, allows dimming, color change, turning on and off up to 4 cover circuits and turning on the lighting.

DOUBLE ENGINE TRANSMISSION 110V- 60HZ (UL) – 220V / 30HZ (CE)	130 V	220 V
	Rated Torque (Nm)	2X25
Rated Speed (Rpm)	26	32
Rated Current (A)	2.22	4.58
Rated Power (w)	490	550
Degree of Protection (IP)	IP44	IP44
Maximum Limit turn (Turn)	∞	∞
Running Time (Min)	>4	>4
Temperature (°C)	-10C / 50°c	-10C / 50°c
L1/L2(mm)	545/411	545/411
Certification	UL	EC

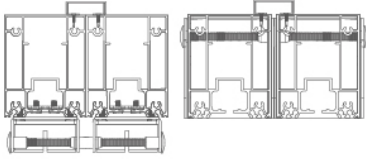
Our Pergostar systems are equipped with a unique and innovative system that allows a single operator to change a belt. It also allows the belts of a pergola in up to three sections to be synchronized in minutes without the help of another person. This system allows an installer to work more efficiently **compared to** current competitor systems.



To facilitate transport and lifting of the guide profiles to upper floors, they were designed to be stacked on construction sites. The operation is very simple and guarantees optimal mechanical strength. The rail will arrive pre-drilled with the connecting profile screwed on one side and ready for the other part to be installed on the other side. A winch with clamps will be provided upon request to facilitate the assembly of the two profiles.

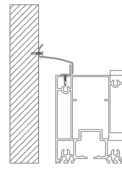


TRANSLAPE GUIDE



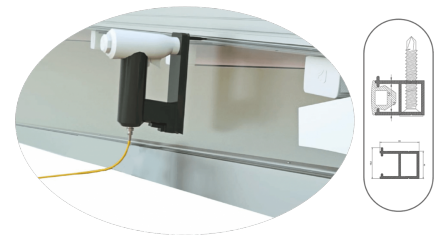
It is possible to place two pergolas together to achieve longer covering lengths. For this purpose, we have a joining system based on a double-entry receiving shaft, which allows both rails to be screwed together with a single bolt to avoid gaps caused by the thickness of the screw heads. At the top joint between the two rails, we have three overlapping profiles to prevent water infiltration at the joint. These profiles consist of two angles and a U-shaped profile.

FLAP TO WALL

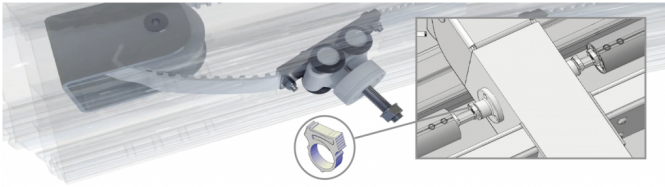


We have cases in which the pergola can be boxed in by side walls, and for this we must waterproof the entry of water laterally, for this reason we have designed the profile overlap to wall in order to cover this opening without having to join the flap directly to the rail, avoiding the silicone from coming off due to the normal movement of the pergola, for this union we use an overlap to wall profile and an angle in aluminum.

SIDE COVERS



Toscana offers an innovative, easy-to-install system that requires a small compressor, a pneumatic stapler, and stainless steel staples. The universal "Tuscany frame profile" allows for work on straight or curved shapes due to its slenderness, as it molds with the force of the hand when screwed onto the frame of the element to be covered.

STANDARD

The Pergostar has a motor drive shaft, which acts as a fuse, preventing the belt from breaking, causing the shaft to fracture first, as a safety factor. Replacing a single shaft costs only 5% of the cost of a belt.

- Our sophisticated mechanical system allows for belt changes without having to lower the forks, eliminating the need for a single person per rail and simplifying the process to just one person per pergola, without weighing down its size. In addition, we use a safety clamp, which adjusts the shaft and prevents movement of the drive tube, preventing it from disconnecting due to vibration.
- Our pergolas are equipped with a sophisticated electronic system located in the large lower arm, which tests for any transmission problems due to a broken belt or shaft in order to automatically stop the pergola to avoid collateral damage.

OPTIONAL

- In the event of strong winds, and only if the pergola is equipped with a weather station, it will close automatically, preventing possible damage.
- In the event of a fire, and only if the pergola has a smoke detector accessory, the canvas and curtains will close automatically.
- In the event of snowfall, and only if the pergola is equipped with a snow gauge, it will close automatically if it is not heated and the temperature underneath is below 15 degrees.
- In the event of a prolonged power outage, our pergola can be equipped with a small 500-watt/1000 VA UPS protected in an IP65 box, located and hidden next to the motor, allowing for one opening and closing only. If you want to have full use of the pergola, a more powerful UPS (power to be calculated by an expert) can be installed on the pergola's electrical connection inside the building and outside the pergola due to its size.



TOSCANA DYNAMIC APP



Our app is available on the Google Playstore and Appstore for Android and iOS devices. With this app, you'll have access to a world of possibilities for configuring your spaces. Our exclusive Toscana Dynamic device is FCC and CE certified.

GOOGLE HOME AND ALEXA ASSISTANTS



Control your pergola with voice commands using Google Home and Amazon Alexa.

REMOTE CONTROL



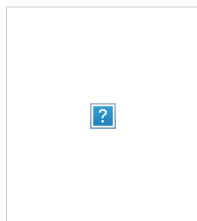
In the event of an internet outage, the pergola can be controlled via remote control. Multiple Toscana Dynamics can be operated with a single remote control.

PUSH BUTTON CONTROL



In the event of an internet or radio frequency failure, there is the option of connecting a push button to open and close the pergola.

WEB (QR)



LIGHTNING



Up to 4 pergola lighting channels can be managed, allowing switching on, off,

It works to give you complete control of your pergola without having to download the app to your mobile device or computer.

dimming and selecting the colour of W, RGB, RGBW and SPOTS lights.

OTHER HOME AUTOMATION



The Smart Hub Toscana Dynamic can be connected to any other home automation system available on the market.

SCENARIOS



Create different scenes by mixing all the pergola options, defining how, when, and for how long.



MOTORIZATION



You can control the opening and closing of the entire pergola, as well as the perimeter fences if the client so desires.

VIDEO



You can connect any IP video camera and view it through our app.

SENSORS





WEATHER STATION

It includes an anemometer, rain gauge, hygrometer, wind direction indicator, and power supply via a solar panel with a backup battery in case atmospheric conditions prevent solar charging.

SENSORS

The protection system includes temperature and belt break sensors, preventing mechanical failures that could damage the pergola.

Optionally, the customer can add specialized sensors, allowing for greater protection in extreme weather conditions.

SNOW SENSOR

It allows you to determine the height of the snow in millimeters above the pergola. In addition, in the app, you can review the historical record of how long it lasted and when it fell.

SMOKE DETECTOR

An alarm that detects the presence of smoke in the air and emits an audible signal warning of a fire hazard. It operates via RF (Radio Frequency).

PRODUCT RATING ACCORDING TO PRECIPITATION

COLO R	INTES. (mm/h)	TYPE OF PRECIPITATION	PRODUCT RATING
●	Greater than 250	Large hail	
●	Greater than 250	Torrential and hail	
●	100 to 250	Torrential and probable hail	
●	40 to 100	Very heavy to torrential rain	
●	16 to 40	Heavy rain	Suitable
●	6.5 to 16	Moderate rain	
●	2.5 to 6.5	Light rain	
●	1 to 2.5	Light rain	
●	0.4 to 1	Very light rain	
●	0.1 to 0.4	Precipitation trace	

PRODUCT RATING ACCORDING TO WIND RESISTANCE

TO	B	C	D	AND	F
●	>6	12	Hurricane	118 +	
●	>6	11	Storm	103 / 117	
●	>6	10	Storm	89 / 102	
●	>6	9	Temporary	75 / 88	Suitable
●	5	8	Very hard	62 / 74	
●	4	7	Hard	50 / 61	
●	3	6	Strong	39 / 49	
●	2	5	Cool	29 / 38	
●	1	4	Good-natured	20 / 28	
●	0	3	Mild	12/19	
●	0	3	Weak	6 / 11	
●	0	3	Ventolin	1 / 5	
●	0	3	Calm	0 / 1	

A) Wind resistance according to standard 13561

C) Beaufort scale

D) Wind

E) Km/h

F) Product rating