





TECHNICAL SHEET



www.TOSCANAGLOBAL.COM

FLEXIBOX

This is an outdoor roller blind, operated manually with a crank or motorized with a remote control. It has a box that protects the fabric and the internal mechanism. This product is custom-made, offering a high-specification product. The structure is made of anodized aluminum or electrostatically painted, and its cover can be acrylic canvas, textile mesh, clear PVC sheeting, or translucent or blackout PVC canvas. Depending on the client's request, it can be manufactured in different colors and the option of printing the brand's logo on it.

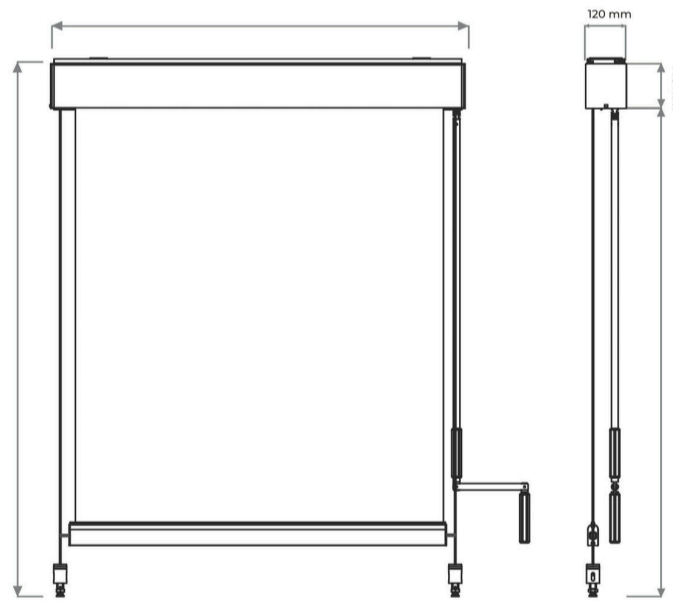
Its uses range from residential to commercial, providing protection from the sun, rain, and wind. The load-bearing bar design allows for the installation of 4.2 kg/m² steel bars to provide improved canvas tension in intermediate positions. This product can be free-standing or vertically guided, with two locking systems at the bottom to prevent it from losing tension when hit by wind.

TECHNICAL CHARACTERISTICS

- Structure made of 6063-T5 aluminum profiles
- Lacquered finish with electrostatic powder coating or anodized
- Stainless steel screws and fasteners
- Wind resistance: 35 km/h
- Sound insulation: 34 db
- Thermal insulation: 6.5 w/m²k
- Water resistance: class 2a
- Screen materials: Clear, mesh, PVC canvas or acrylic canvas



MODEL



MAXIMUM SIZES

MATERIAL	TUBE	HEIGHT	BROAD
CLEAR	78	4 m	4.5 m
SCREEN	78	4 m	5 m
CLEAR	85	3.2 m	5.5 m
SCREEN	85	3.2 m	6 m

The fabric of the canvas can be: Transparent, blackout or mixed, that is, a blackout frame with a transparent window.

GUIDE AND LOCKING SYSTEMS

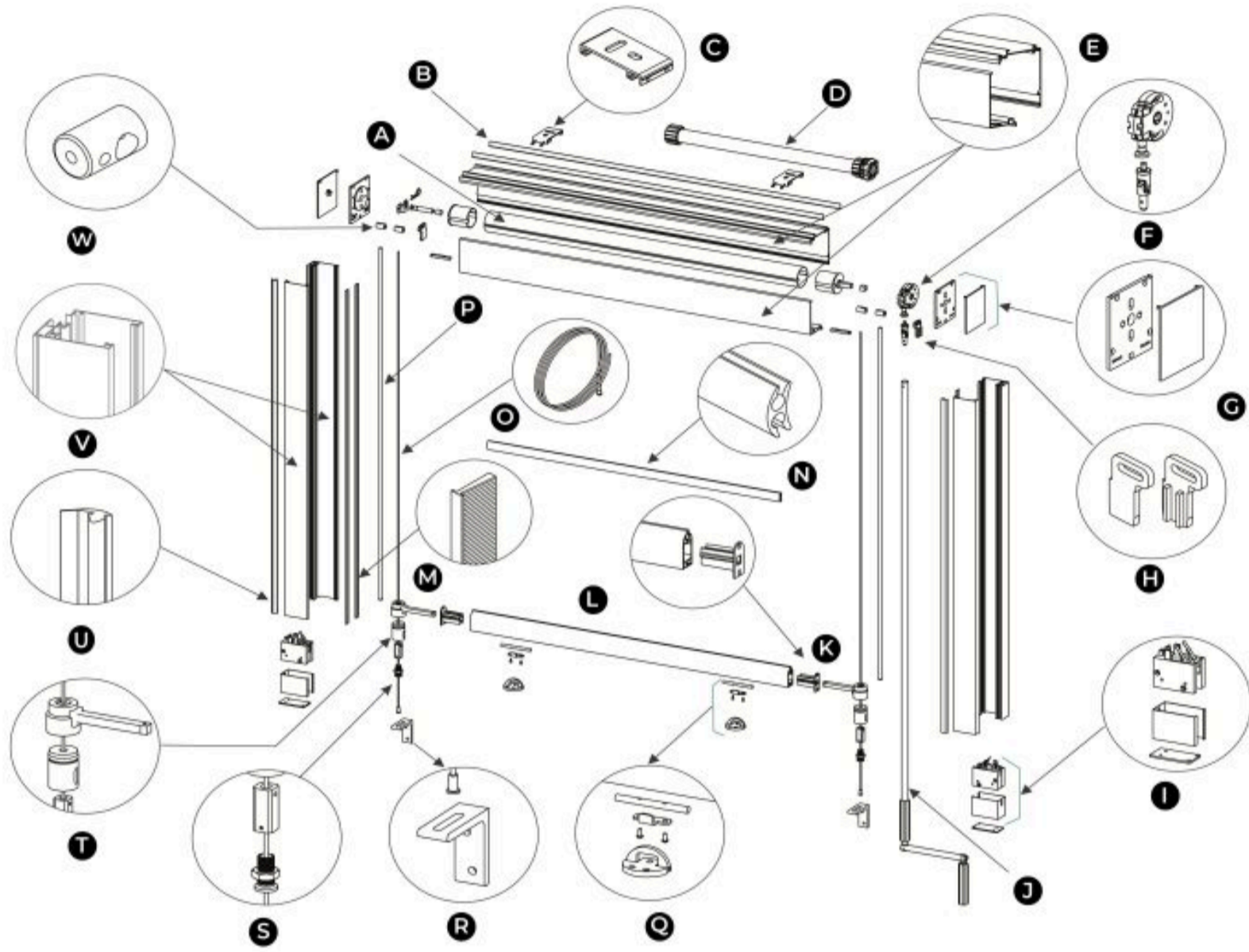
These guide and locking systems are:

-6 mm gauge wire guide-10 mm diameter stainless steel round bar guide

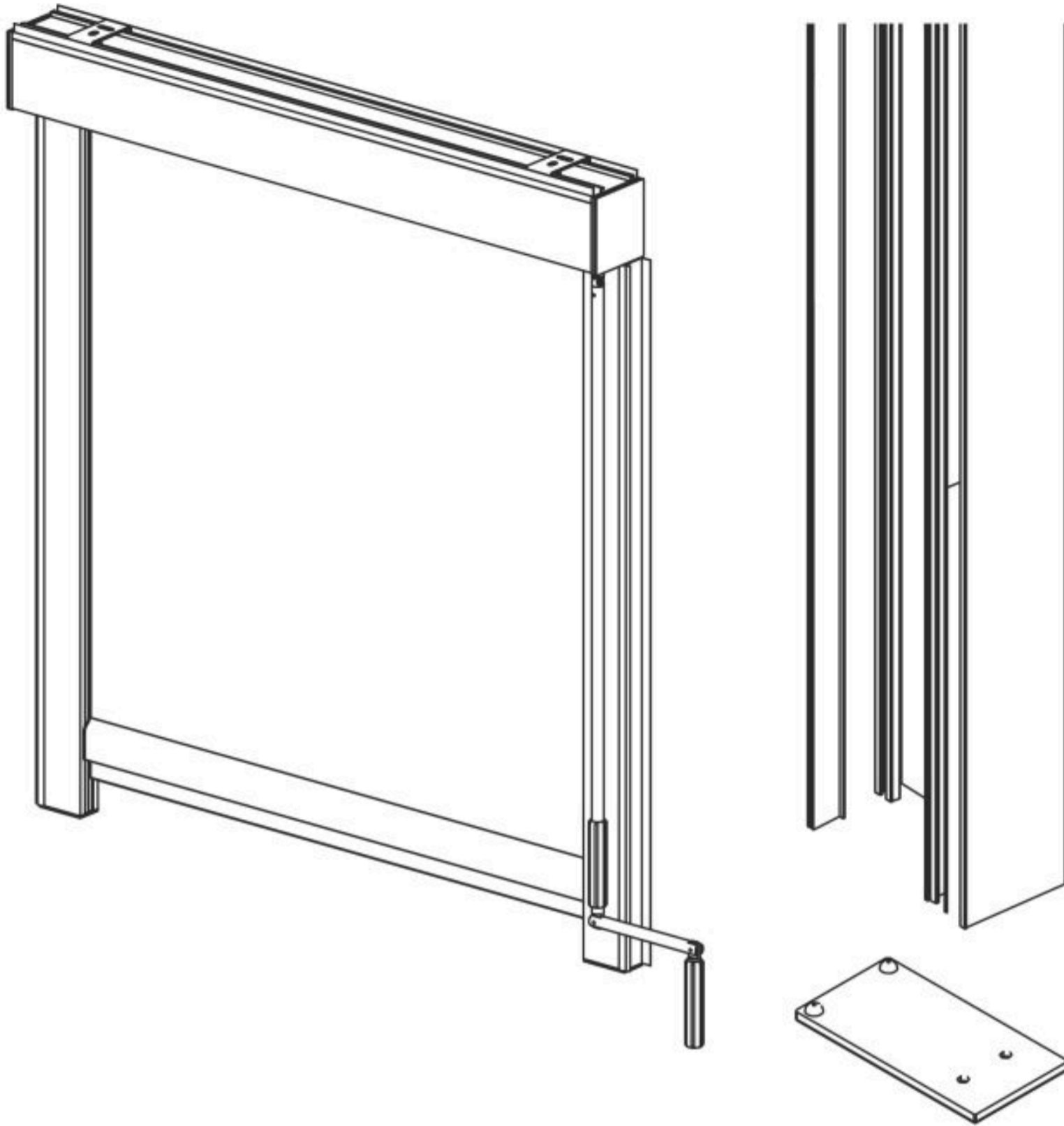
- Magnetic locking, which acts like a fuse, releasing tension, causing the curtain to bulge into a sail-like wave, allowing the customer to roll up the curtain without causing damage from the load bar coming loose.
- Mechanical floor lock, which allows the fabric to be tensioned like a drum by the action of the motor in reverse after locking it to the floor. When wind gusts exceed 50 km/h, its use is not recommended as it can cause damage by dislodging the structure's anchors. This product can also have guides on wires, steel bars, or can lower freely. This product is an excellent complement to our retractable pergolas.

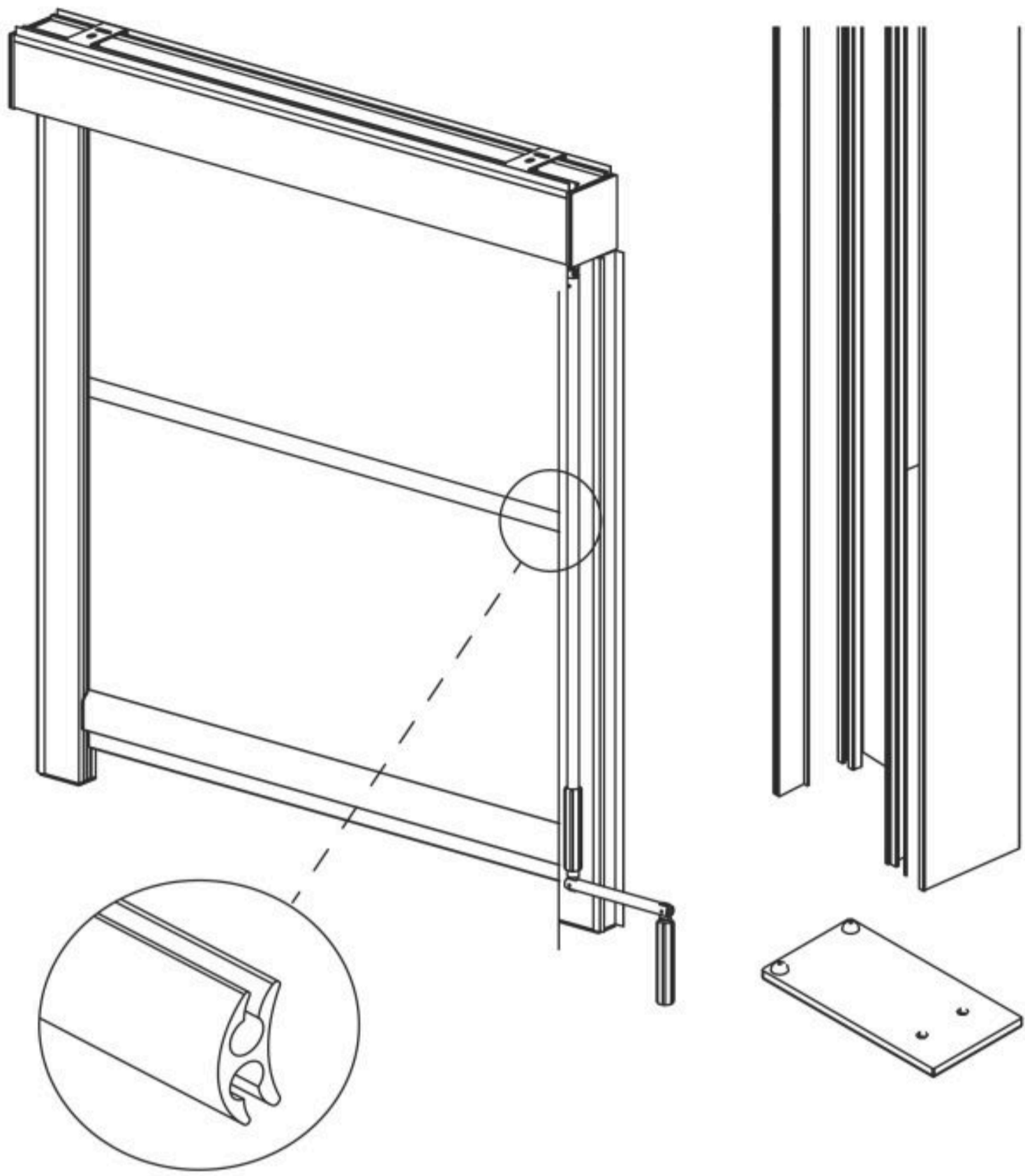
D	VERTICAL GUIDE 85M x 44M x 23M x 11.7
AND	VERTICAL GUIDE COVER 79M x 76M x 8.7 M
F	WIND BREAKER PROFILE 11M x 30M x 12.4M

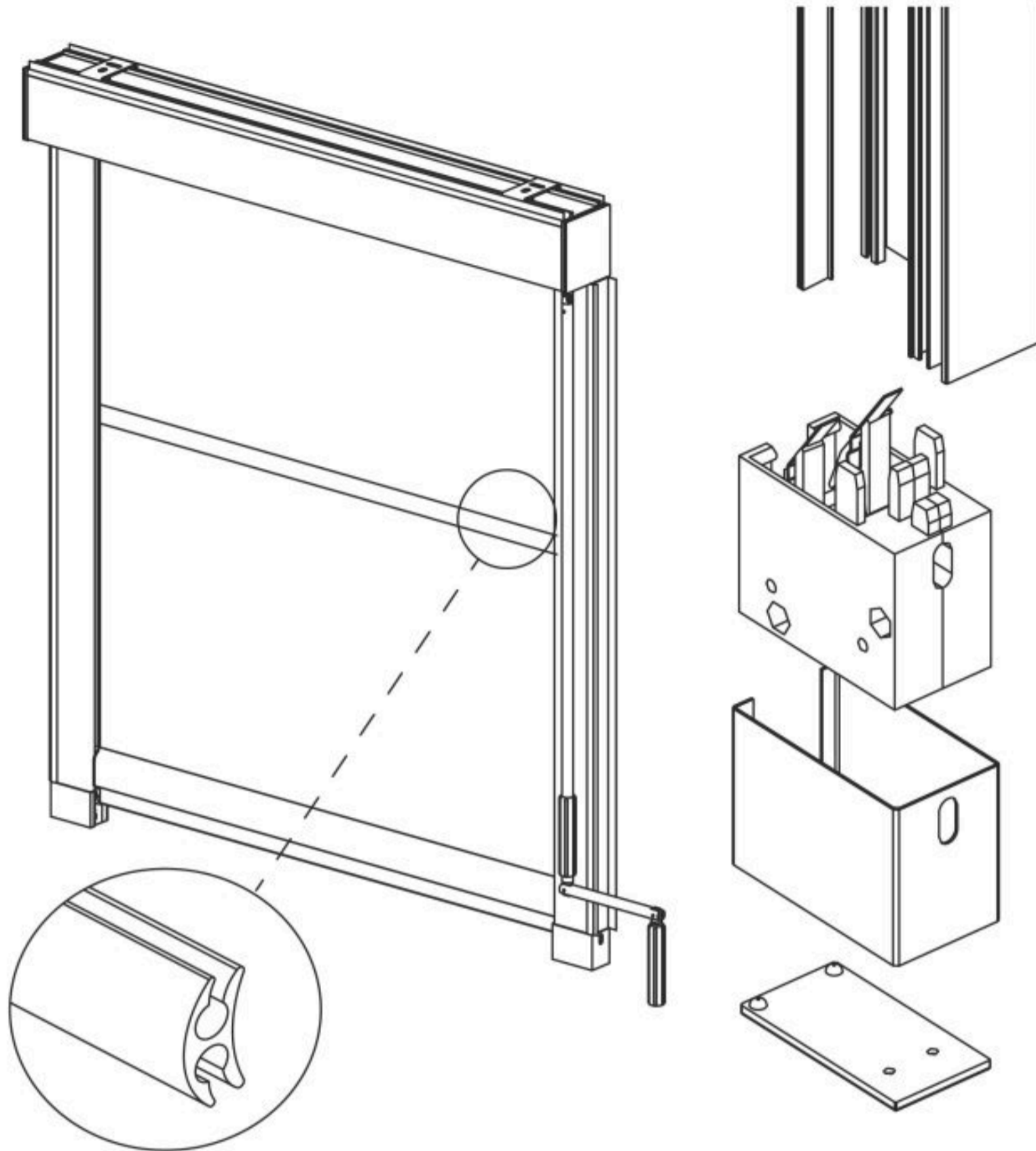
FLEXIBOX EXPLOSION



TO	Ø78 and Ø85 tube
B	PVC top seal
C	Ceiling mount
D	Electric motor
AND	Chest 130x120
F	10/1mm 25 auger machine + magnetic kit
G	Motor Ear
H	Guide union plate
Yo	Automatic Lock
J	Crank
K	Load Bar Cover
L	Loading bar
M	Brush
N	Windbreak profile
EITHER	Stainless steel cable
P	Rod Ø 10
Q	Floor blocking
R	Wall guide support bracket
S	Stainless steel tensioner
T	Magnet Lock
OR	PVC side profile
V	Side Guides
W	Locking axis for cable or rod







FLEXIBOX **A**

GUIDE	ACCESSORIES
<p>GUIDE PROFILE</p>	<ul style="list-style-type: none"> - CEILING OR WALL FIXING - FRONT AND SIDE - OVERWEIGHT BARS

ADVANTAGES

Easy installation on frames or porches, with side guides which give greater stability against wind.

FLEXIBOX B

GUIDE	ACCESSORIES
GUIDE PROFILE	<ul style="list-style-type: none">- CEILING OR WALL FIXING- FRONT AND SIDE- WIND BREAKERS- OVERWEIGHT BARS

ADVANTAGES

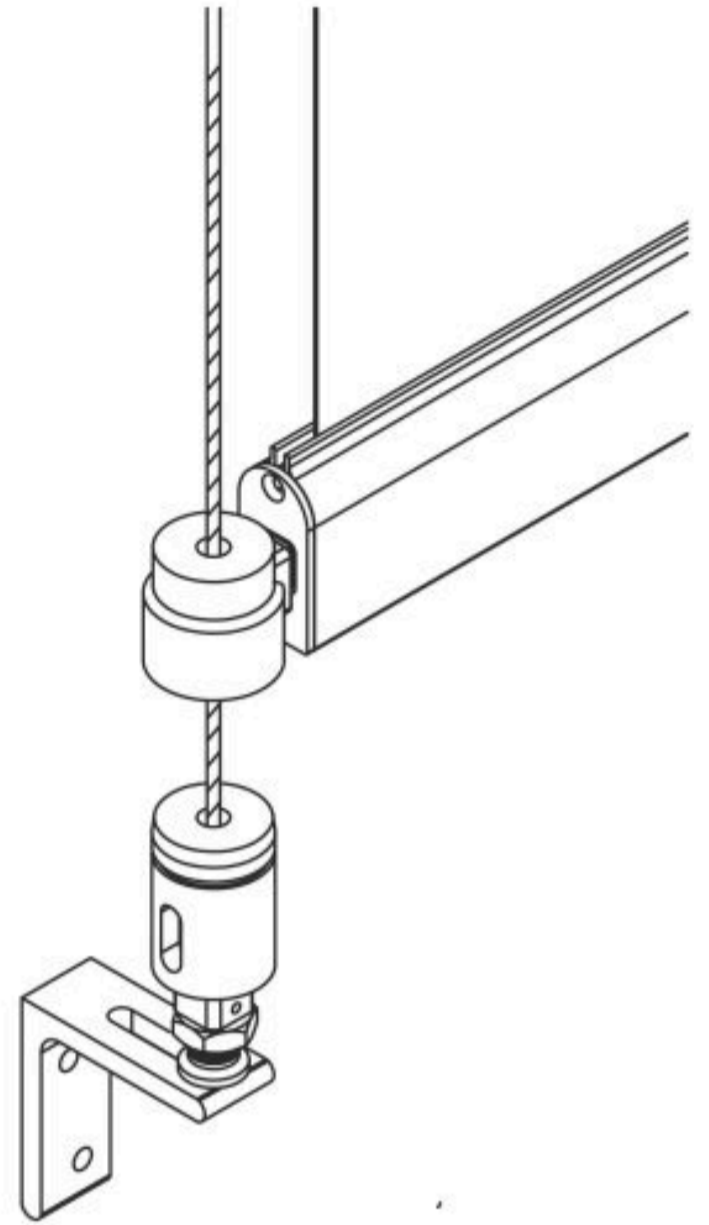
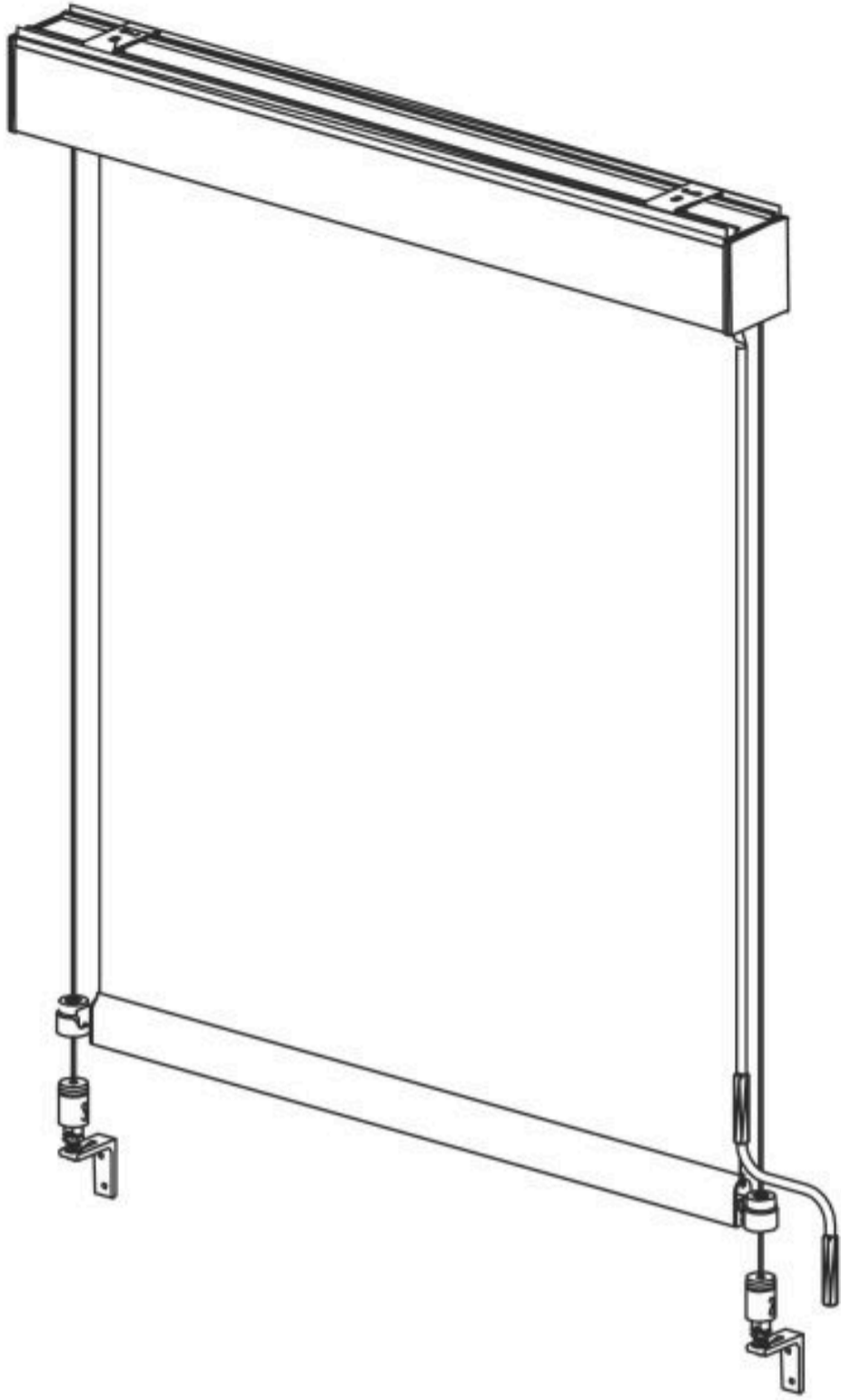
Easy installation on frames or porches, with side guides, and our windbreak profile, specially designed to withstand strong gusts of wind.

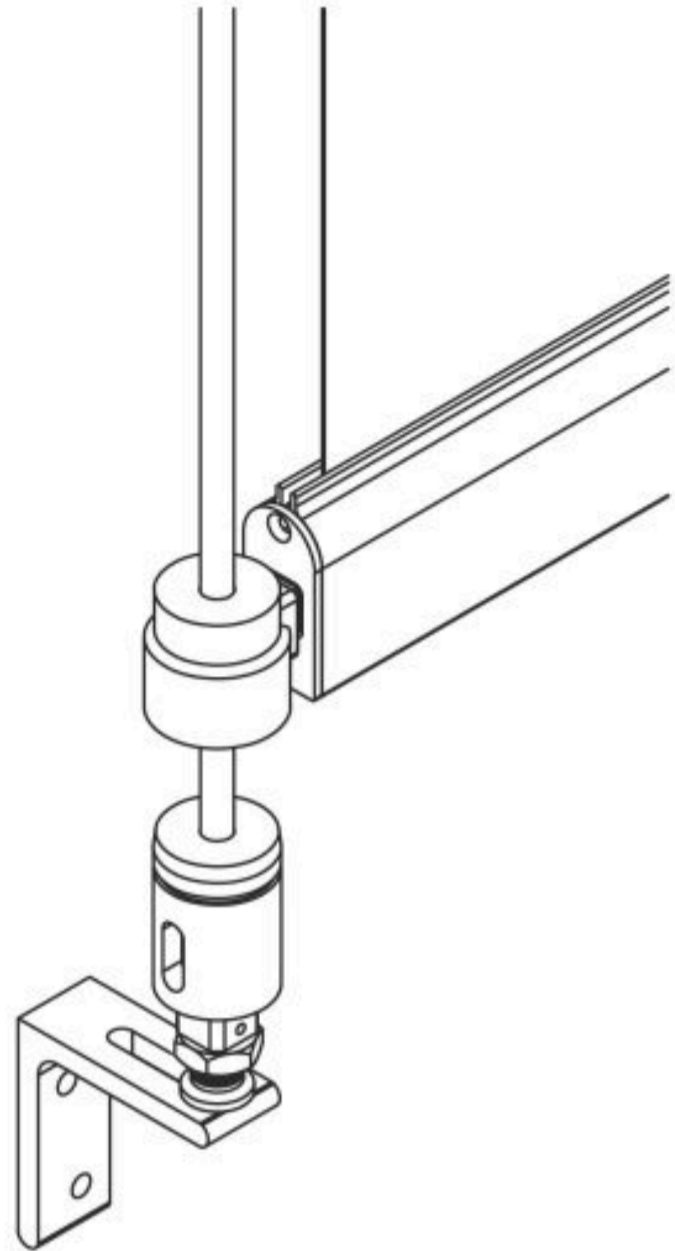
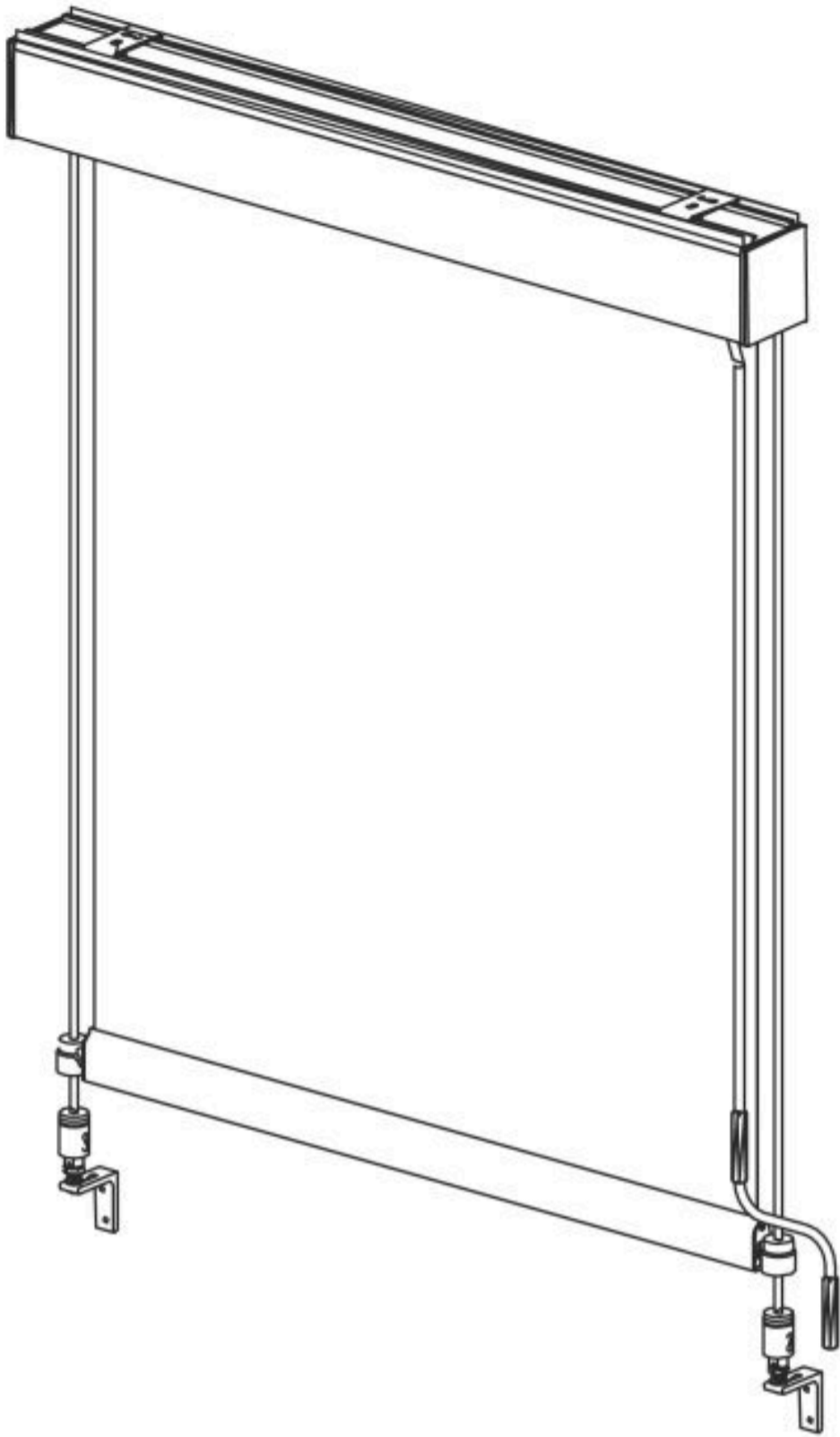
FLEXIBOX C

GUIDE	ACCESSORIES
GUIDE PROFILE	<ul style="list-style-type: none">- CEILING OR WALL FIXING- FRONT AND SIDE- AUTOMATIC LOCKING- WINDSCREW- OVERWEIGHT BAR

ADVANTAGES

Easy installation on frames or porches, with side guides, and our windbreak profile, specially designed to withstand strong gusts of wind. It includes an automatic locking system, making it very secure.





FLEXIBOX **D**

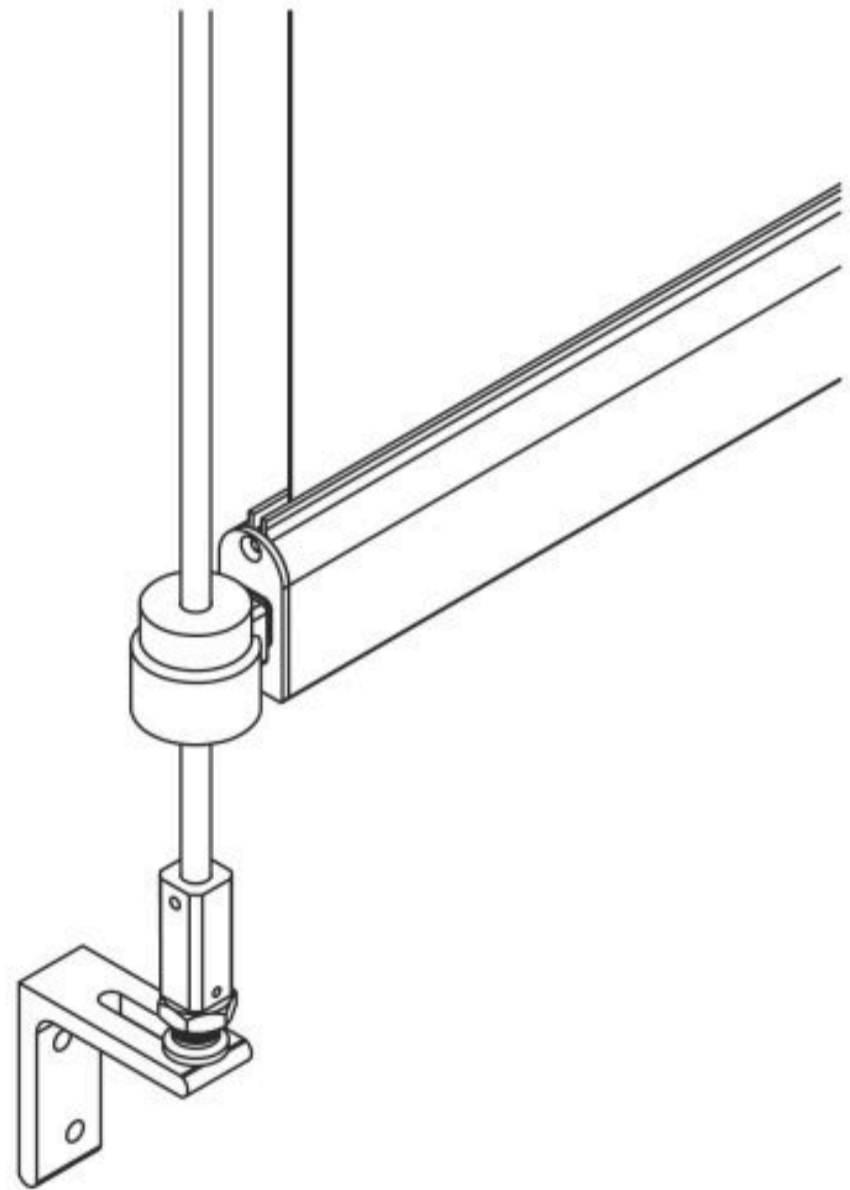
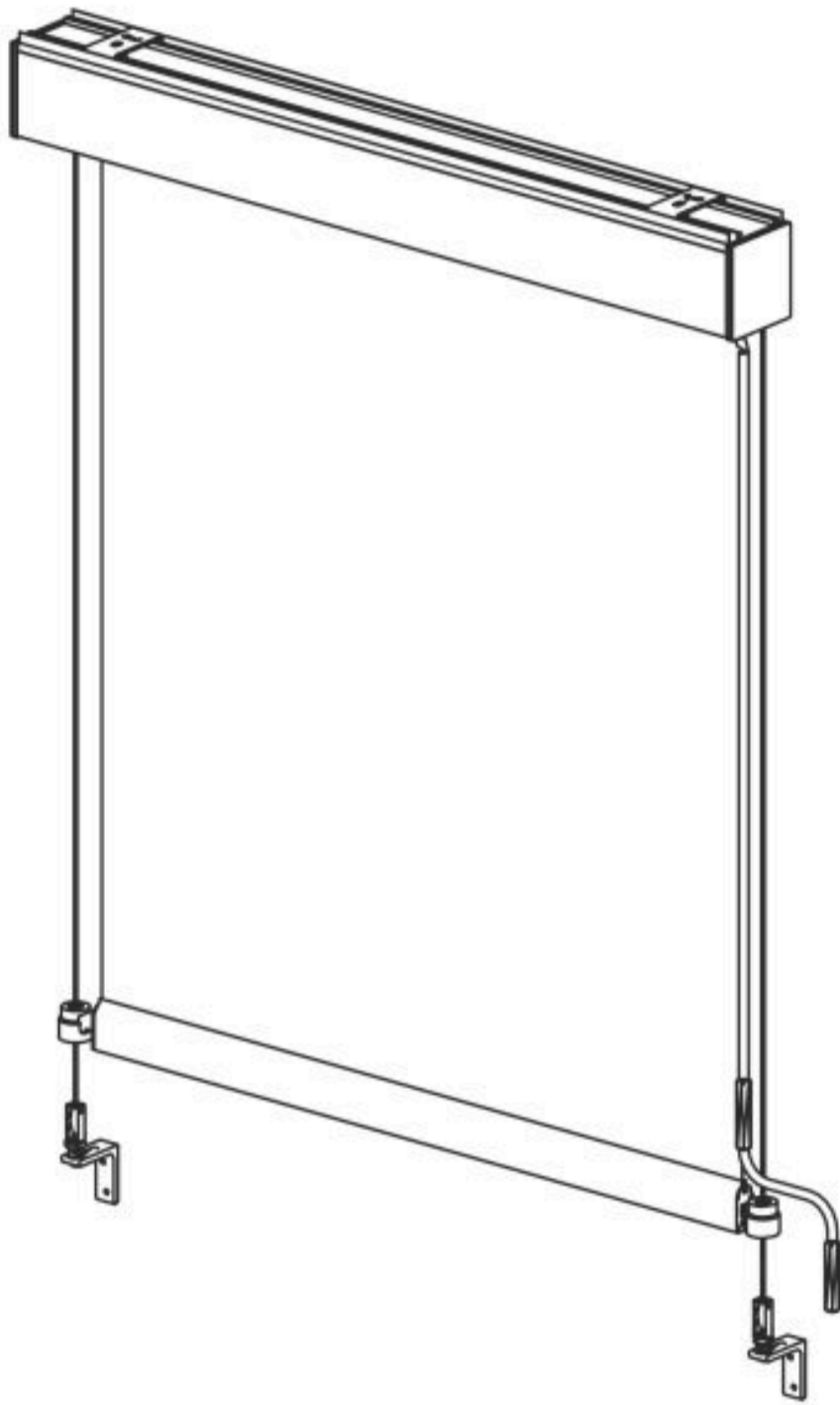
GUIDE	ACCESSORIES
<p>Guaya</p>	<ul style="list-style-type: none"> - CEILING OR WALL FIXING - FRONT AND SIDE - FIXING TO LOWER WALL - MAGNETIC LOCKING - OVERWEIGHT BARS

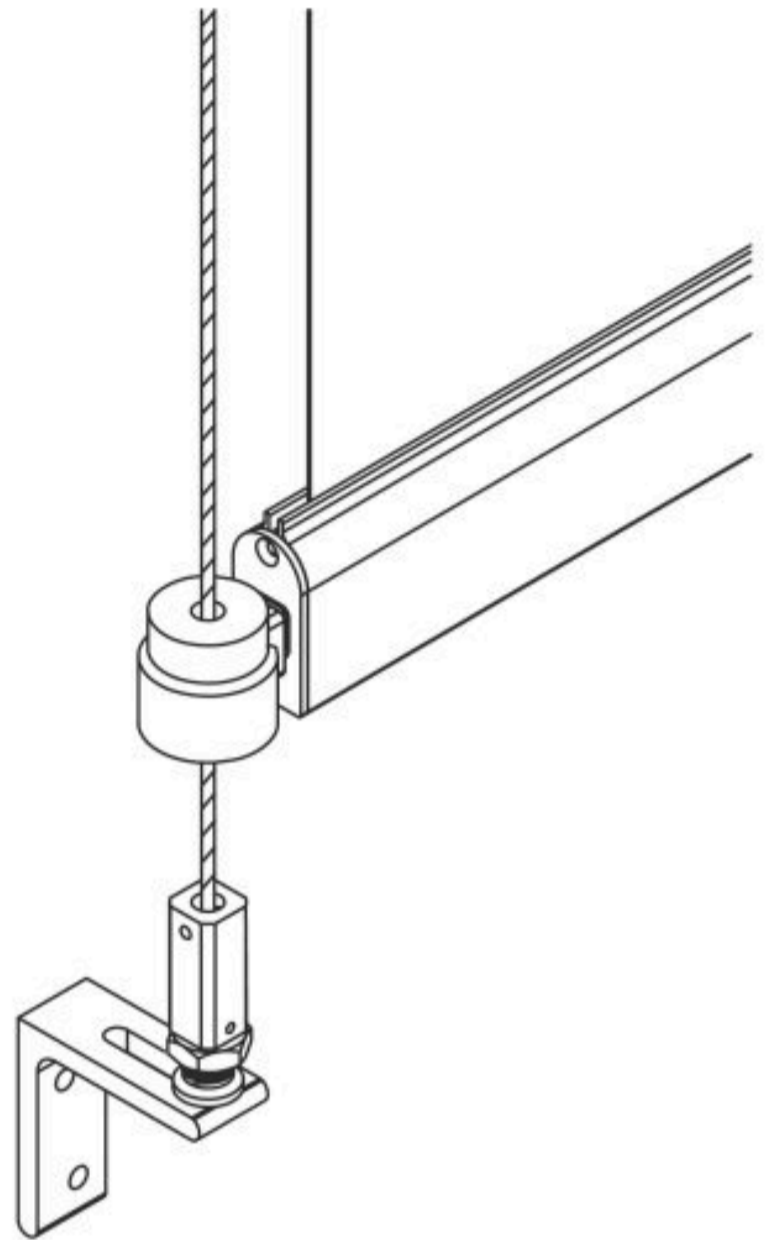
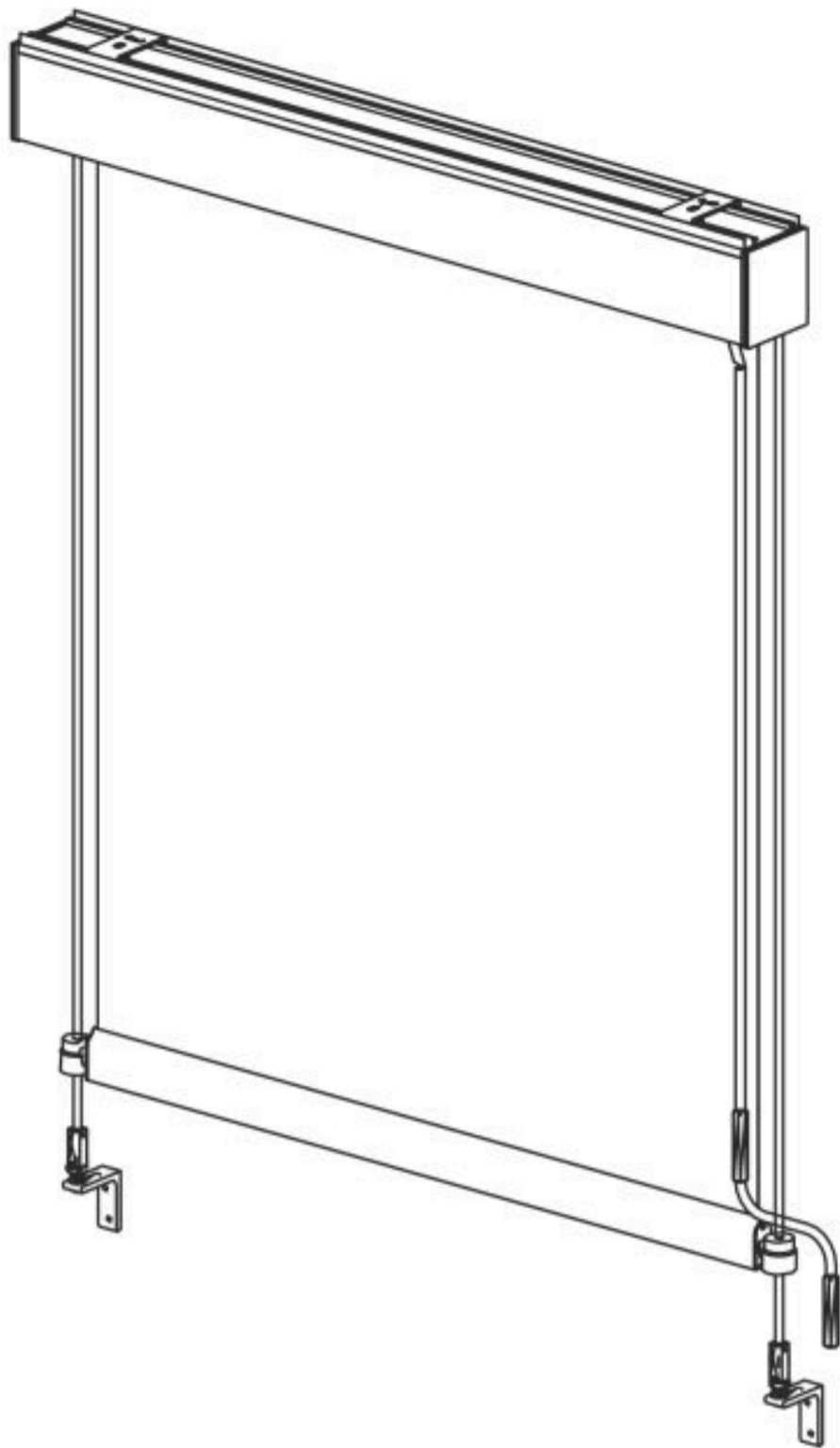
ADVANTAGES

Easy to install on different types of facades from the front, it has a safety mechanism with magnets, which act as fuses that detach in strong winds, preventing the fabric from breaking.

FLEXIBOX E

GUIDE	ACCESSORIES
<p data-bbox="451 424 630 454">10 MM ROUND BAR</p>	<ul data-bbox="926 350 1167 522" style="list-style-type: none">- CEILING OR WALL FIXING- FRONT AND SIDE- FIXING TO LOWER WALL- MAGNETIC LOCKING- OVERWEIGHT BARS





FLEXIBOX **F**

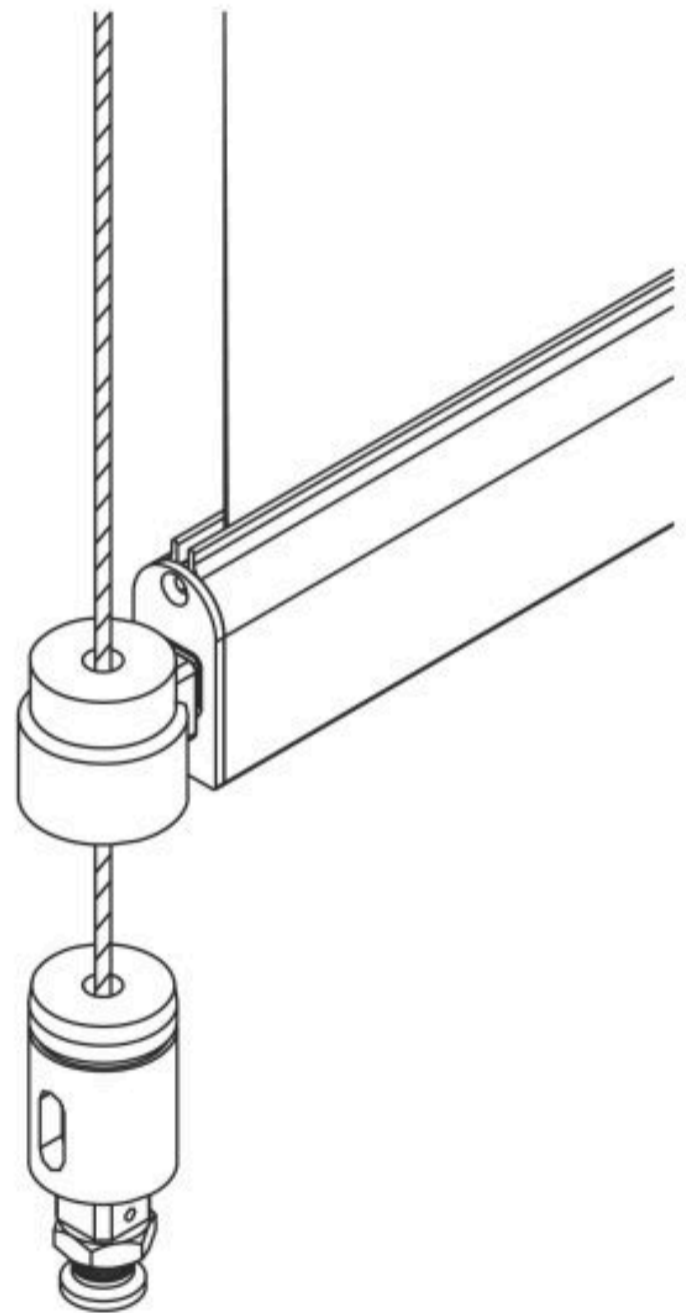
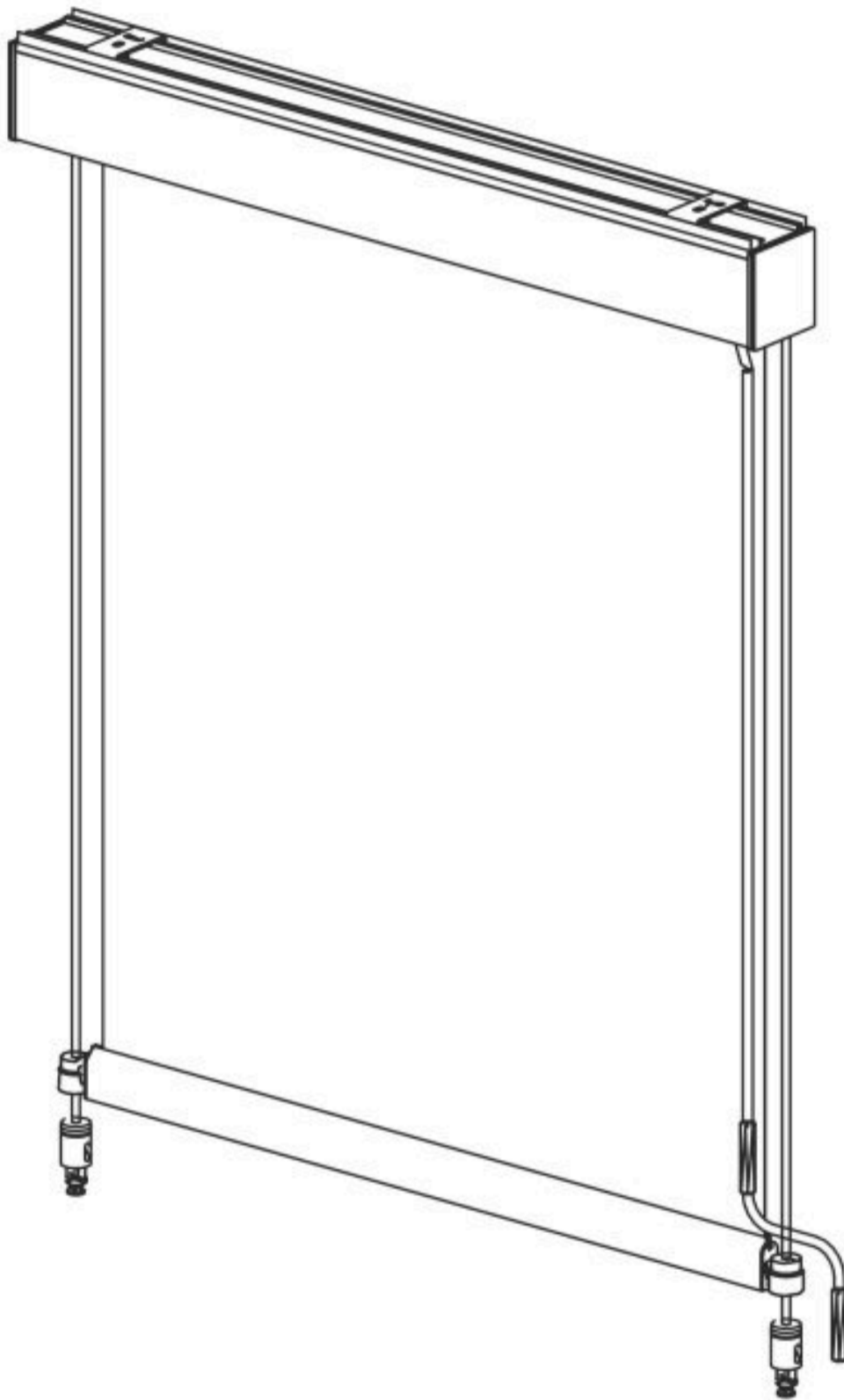
GUIDE	ACCESSORIES
<p>Guaya</p>	<ul style="list-style-type: none"> - CEILING OR WALL FIXING - FRONT AND SIDE - FIXING TO LOWER WALL - OVERWEIGHT BARS

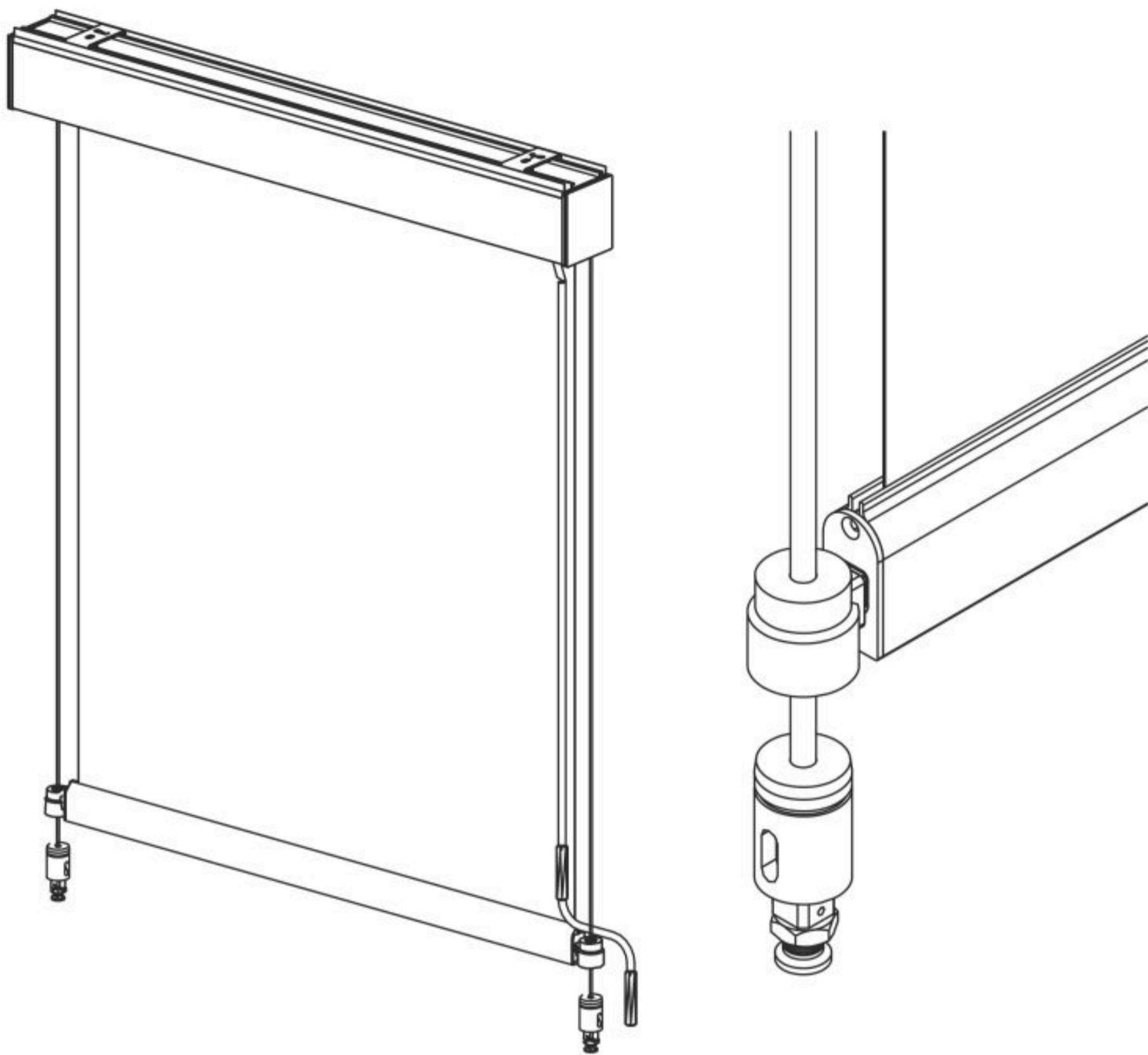
ADVANTAGES

Easy installation on different types of facades from the front, ideal for enclosing areas with normal wind currents.

FLEXIBOX G

GUIDE	ACCESSORIES
<p data-bbox="451 430 630 460">10 MM ROUND BAR</p>	<ul data-bbox="924 371 1165 519" style="list-style-type: none">- CEILING OR WALL FIXING- FRONT AND SIDE- FIXING TO LOWER WALL- OVERWEIGHT BAR





FLEXIBOX **H**

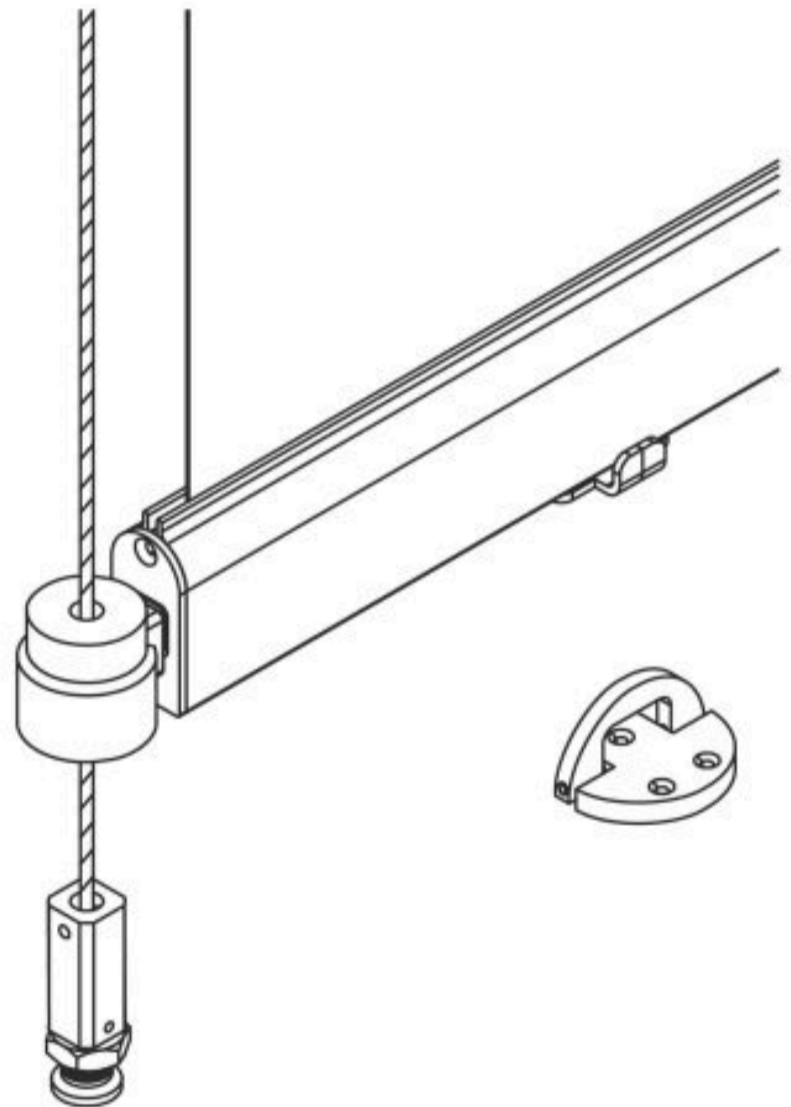
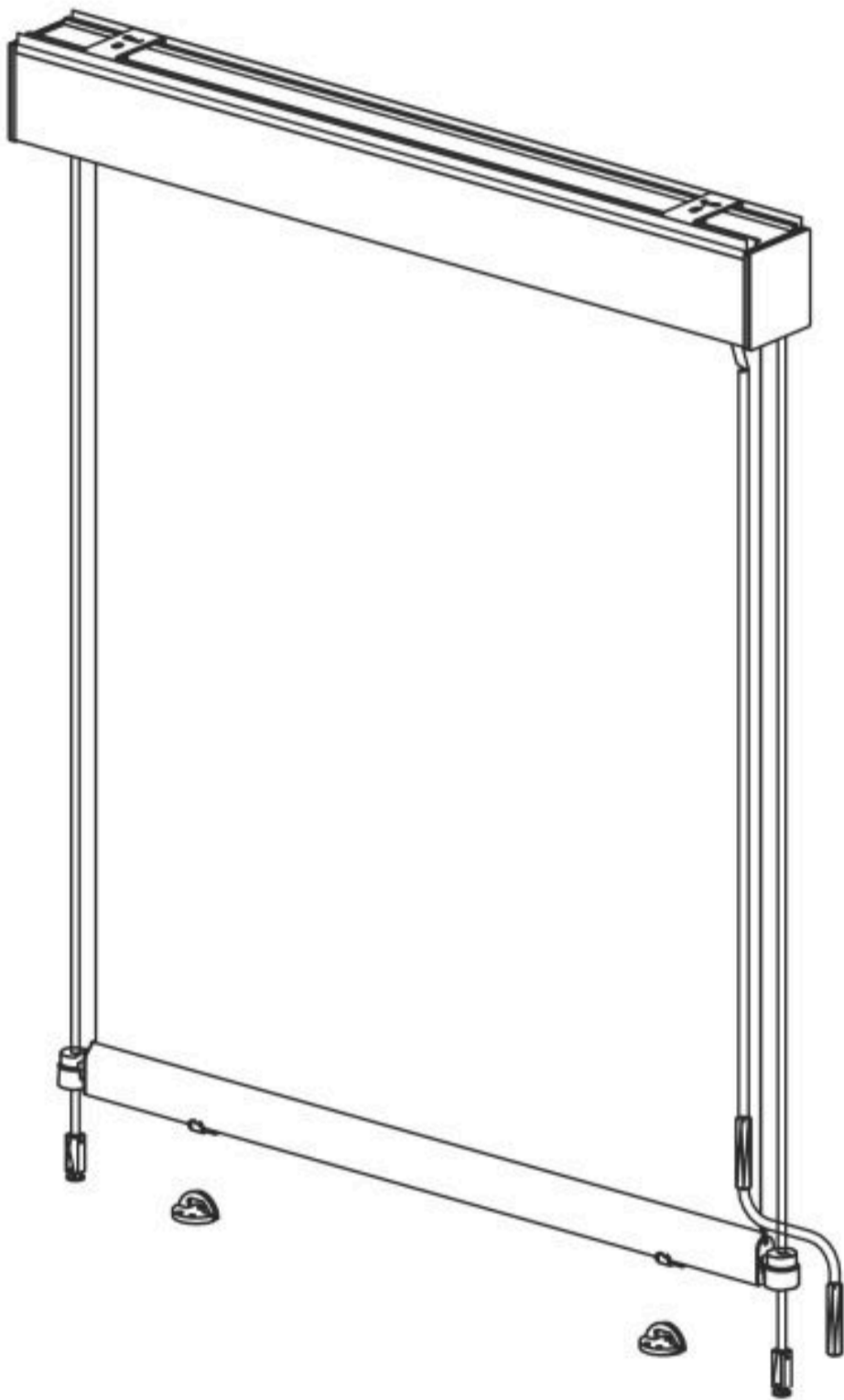
GUIDE	ACCESSORIES
<p>Guaya</p>	<ul style="list-style-type: none"> - CEILING OR WALL FIXING - FRONT AND SIDE - FIXING TO LOWER WALL - MAGNETIC LOCKING - OVERWEIGHT BARS

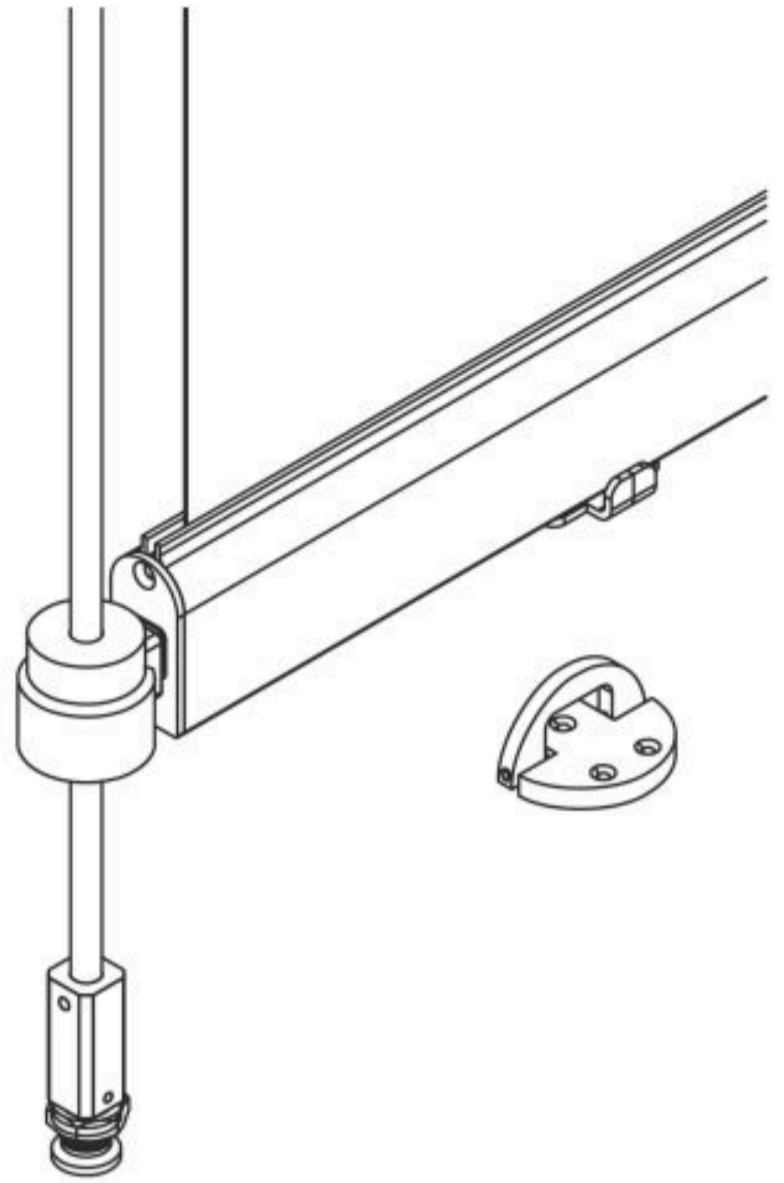
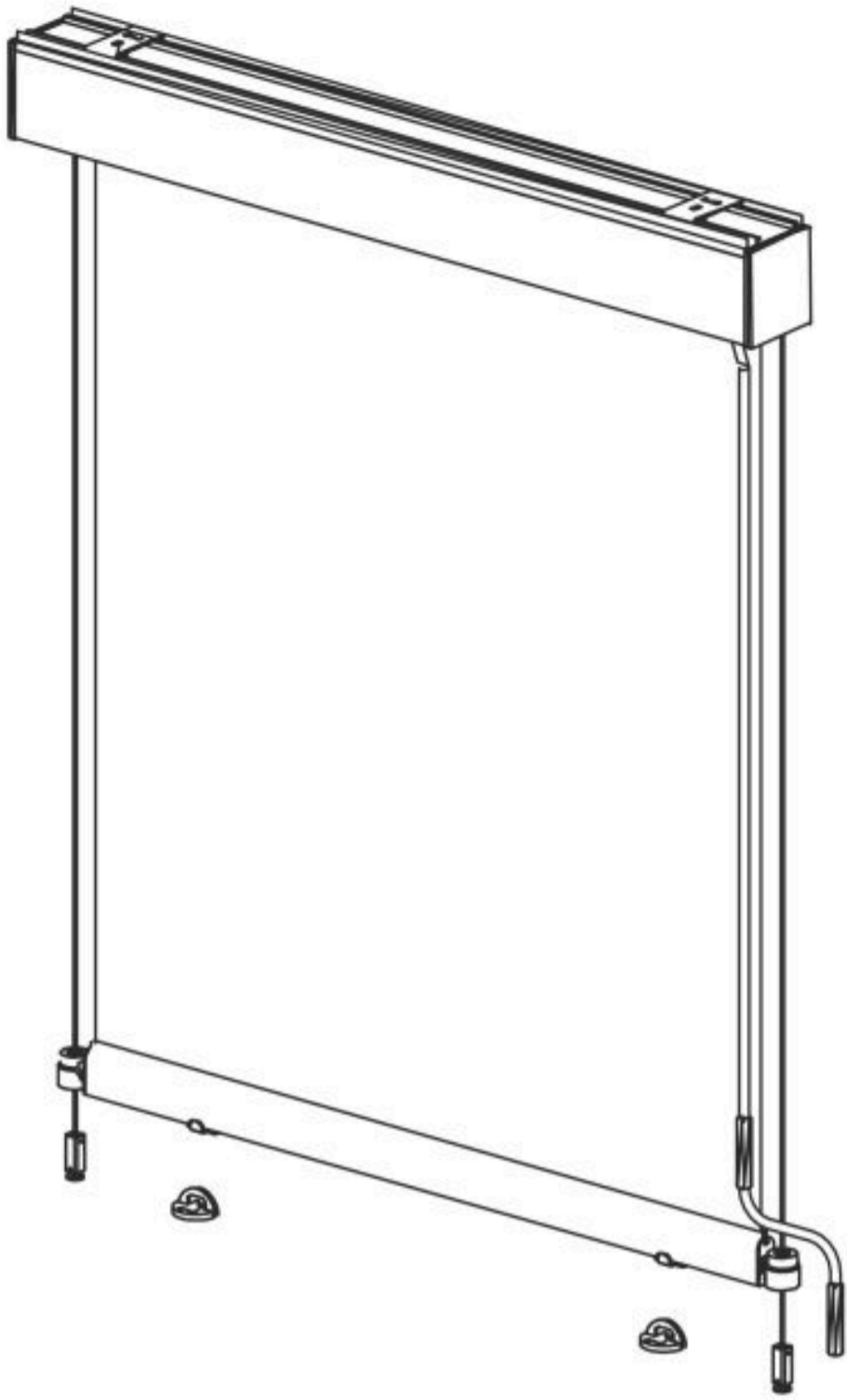
ADVANTAGES

Easy to install, the floor has a safety mechanism with magnets, which act as fuses that detach when there are strong winds, preventing the fabric from breaking.

FLEXIBOX I

GUIDE	ACCESSORIES
<p>10 MM ROUND BAR</p>	<ul style="list-style-type: none">- CEILING OR WALL FIXING- FRONT AND SIDE- LOWER WALL FIXING.- MAGNETIC BLOCK- OVERWEIGHT BARS





FLEXIBOX J

GUIDE	ACCESSORIES
<p>Guaya</p>	<ul style="list-style-type: none"> - CEILING OR WALL FIXING - FRONT AND SIDE - LOCKING WITH FLOOR FIXING - OVERWEIGHT BARS

ADVANTAGES

Easy installation on the floor, with hook-type locks that provide stability of the canvas against winds.

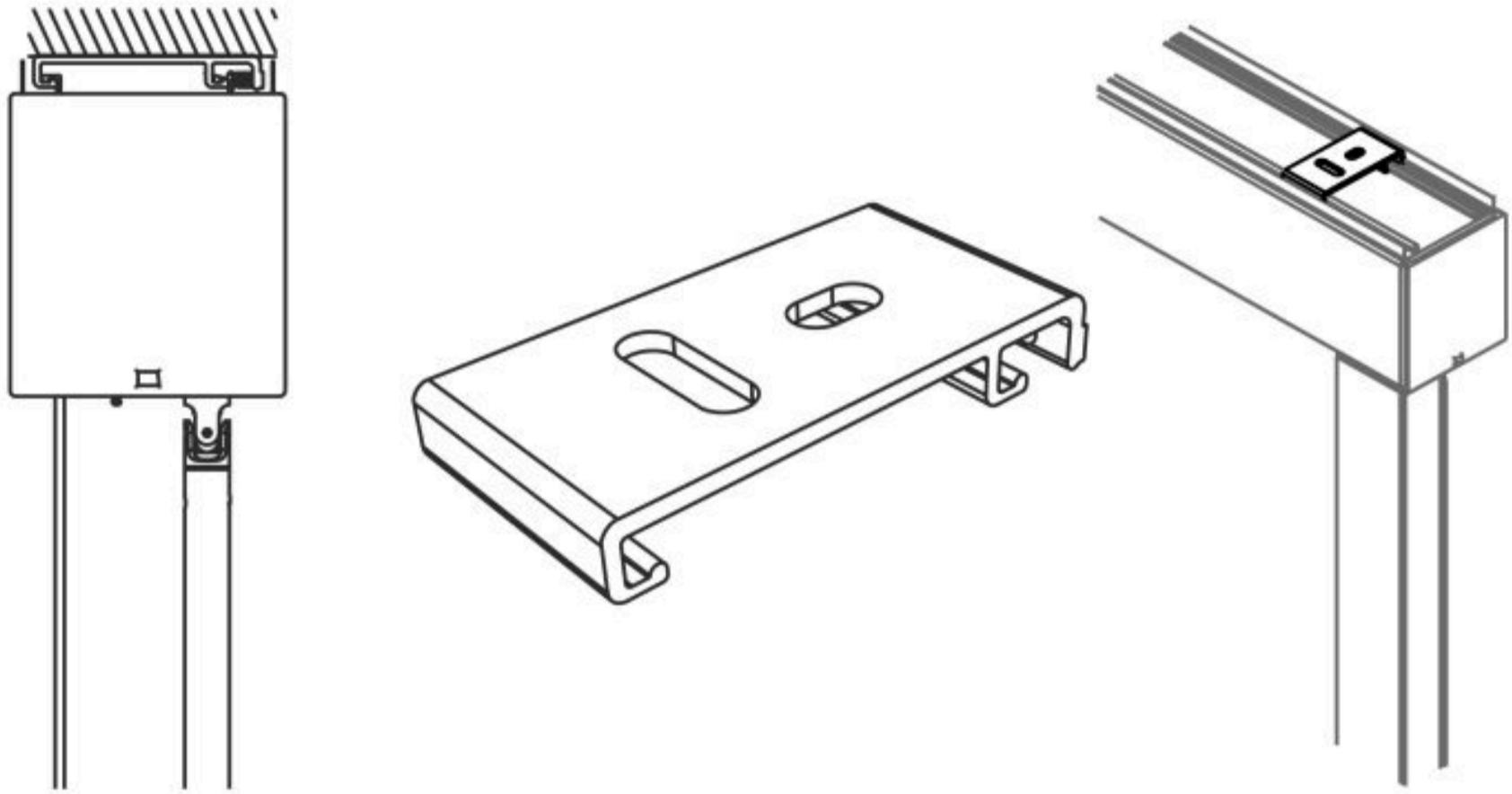
FLEXIBOX K

GUIDE	ACCESSORIES
<p>10 MM ROUND BAR</p>	<ul style="list-style-type: none"> - CEILING OR WALL FIXING - FRONT AND SIDE - LOCKING WITH FLOOR FIXING - OVERWEIGHT BARS



The Flexibox box can be fixed to the ceiling using the ceiling support kit, to the side of the Pergostar, Pergolam or other pergolas, to the front and side walls using the same side covers.

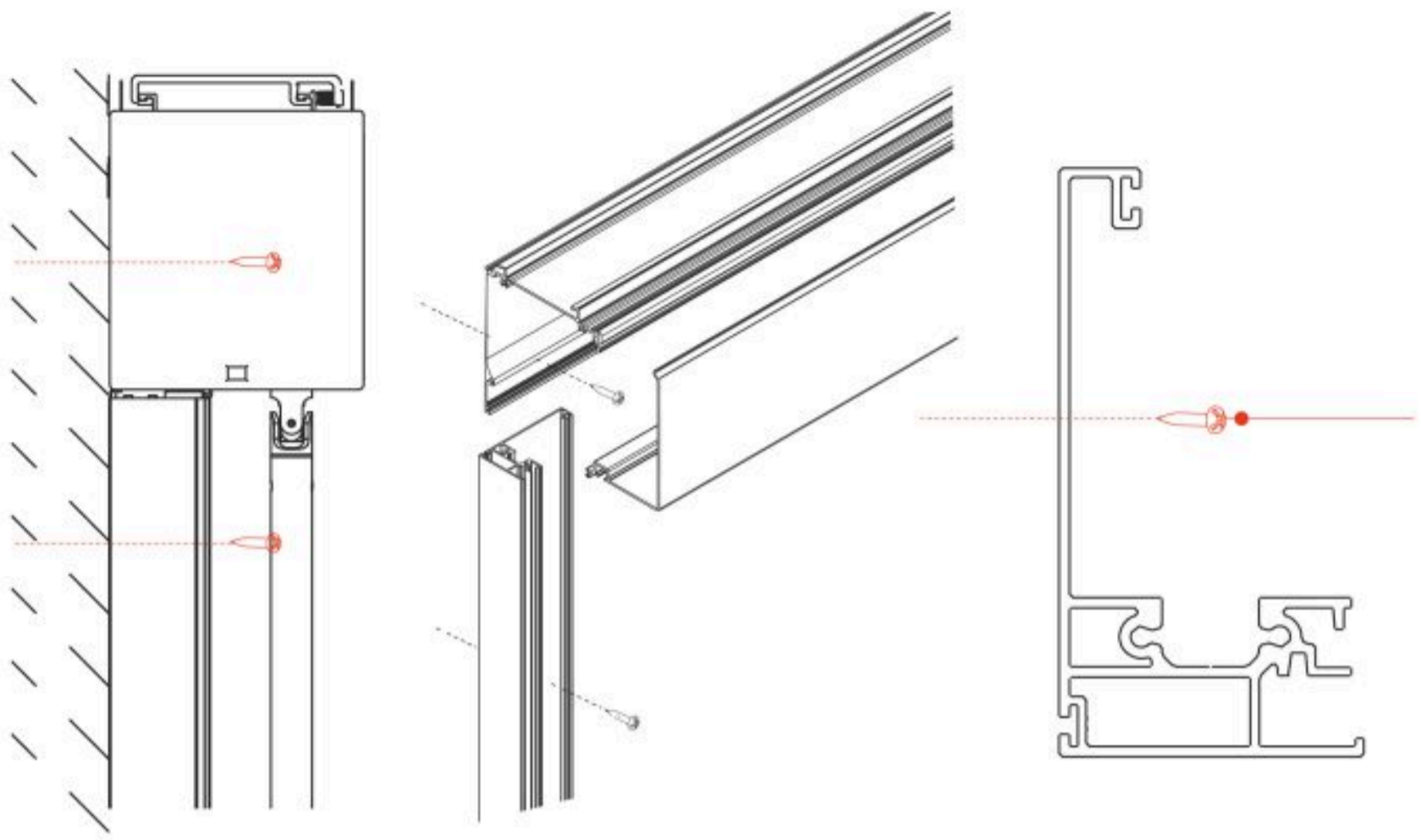
LOWER FIXING TO FACADE



Flexibox façade fixing support kit with anchor according to façade type.

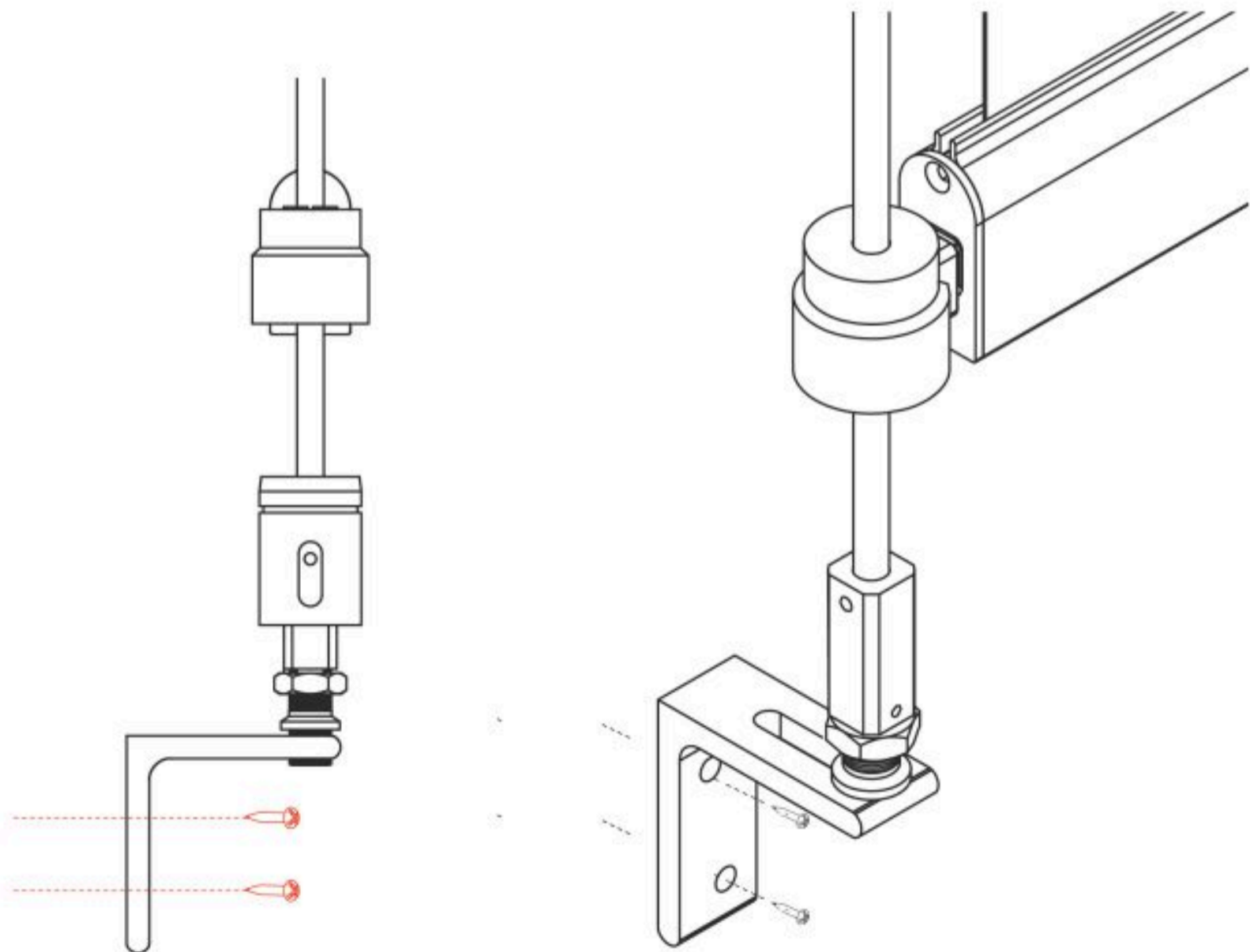
- Wood
- Concrete
- Metal

FRONT FIXATION

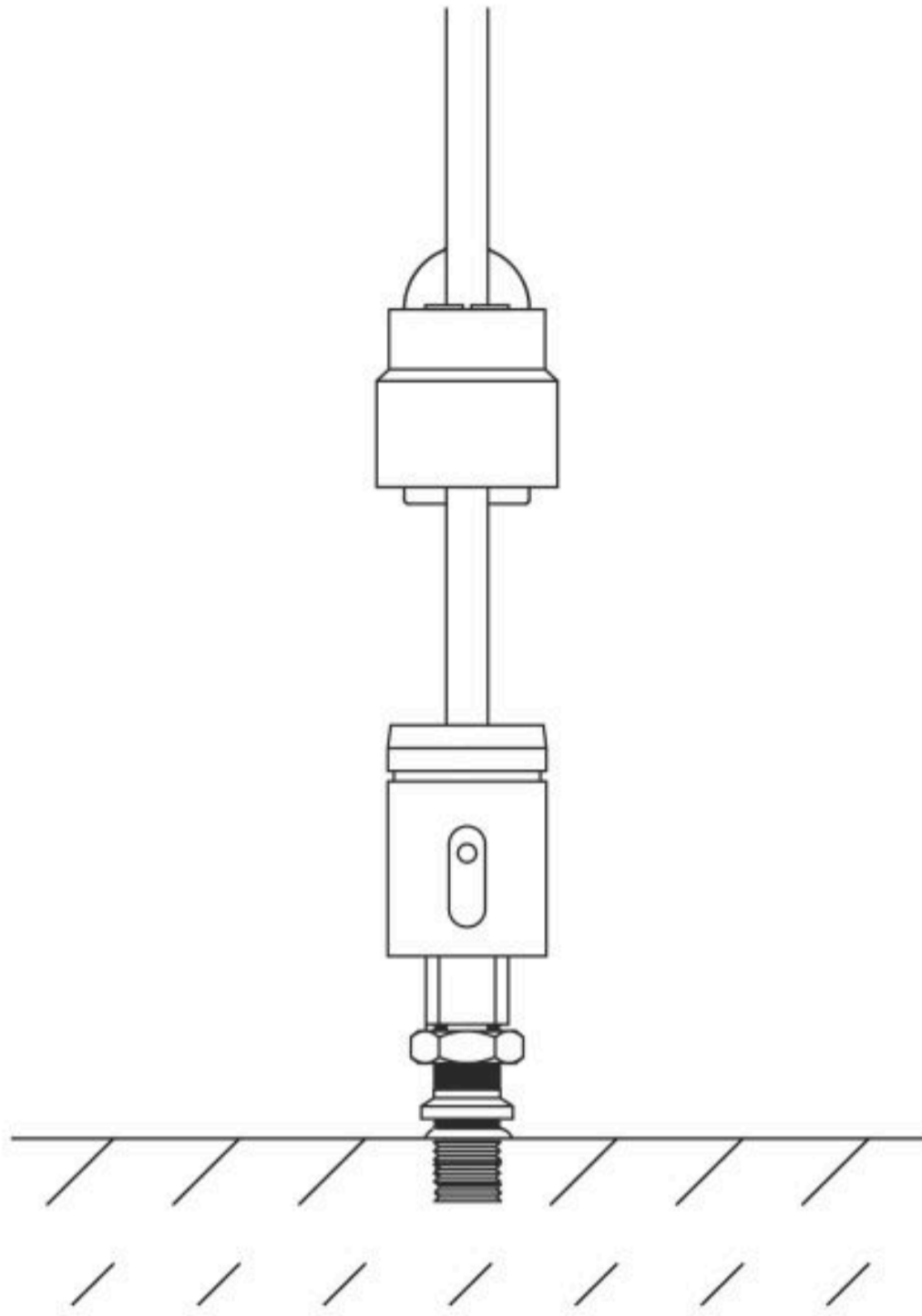


Machining guide profile for front fixing

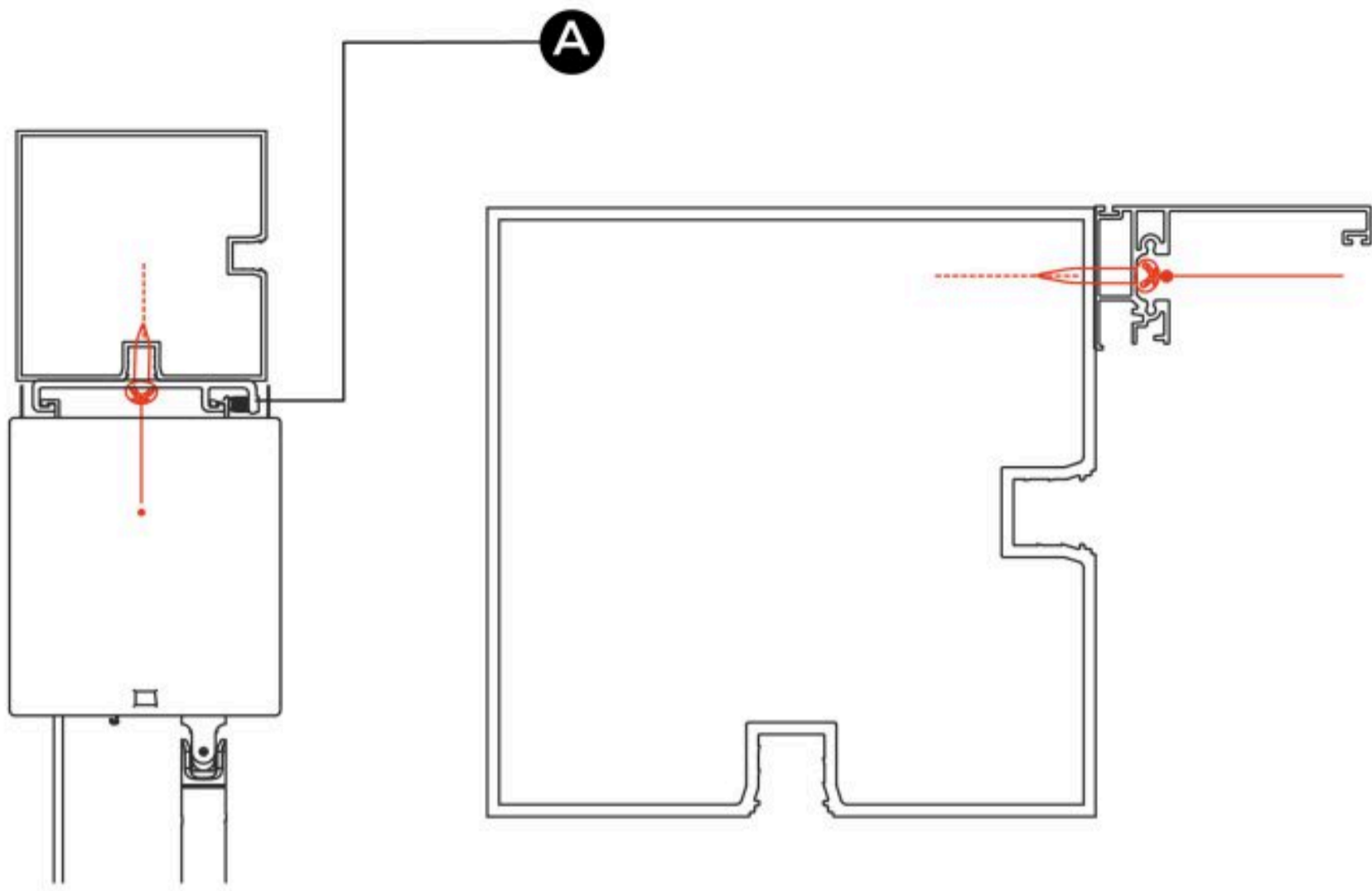
LOWER FIXING TO FACADE



FIXING TO FLOOR



FIXING TO PERGOLAS



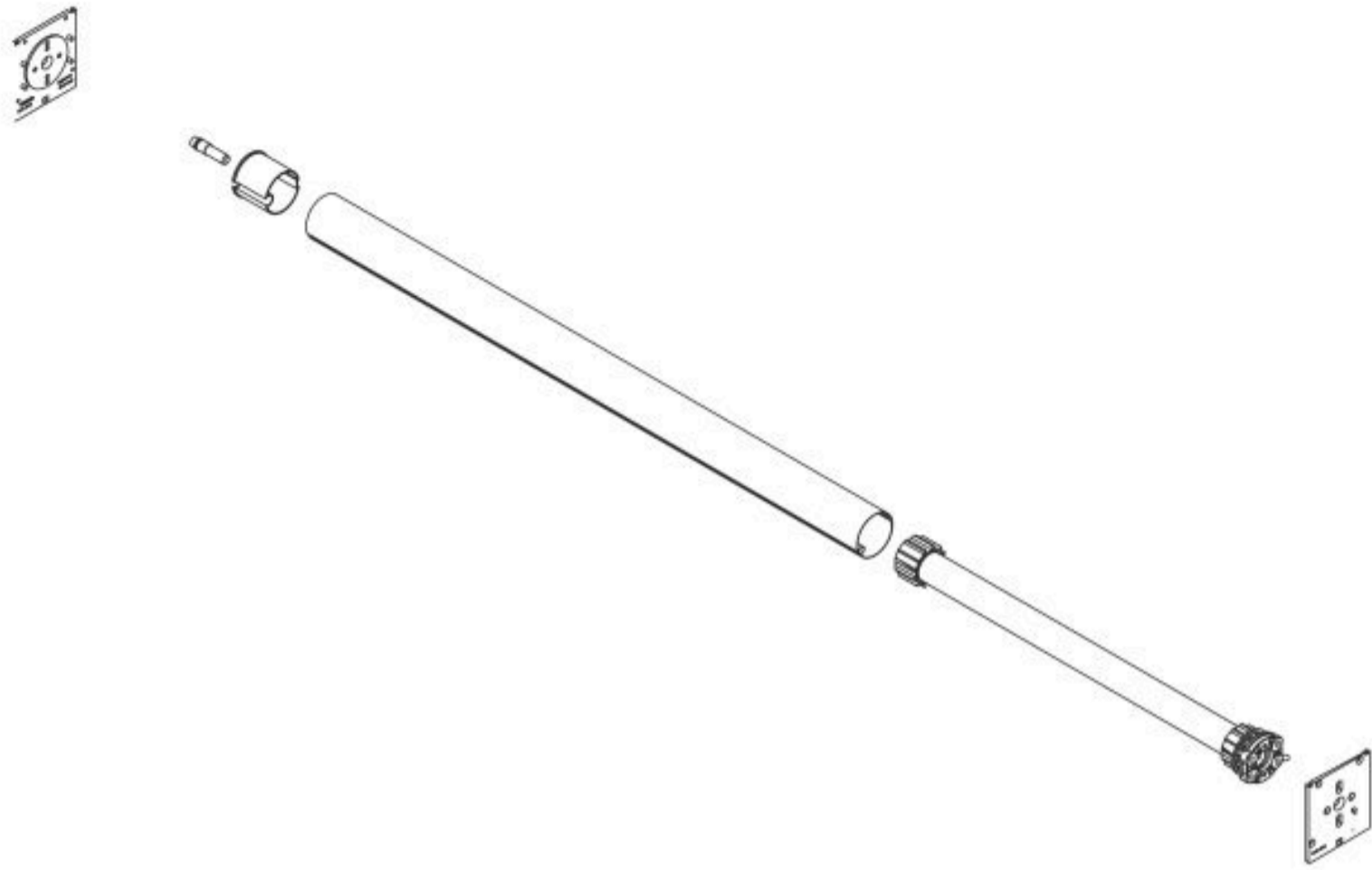
Clausa ceiling support kit with threaded sheet metal, machining of guide profile for fixing to Pergostar, Pergodom, Pergolam columns.

Flexibox has the possibility of having a motorized drive through a remote control or, failing that, through manual operation using a crank.

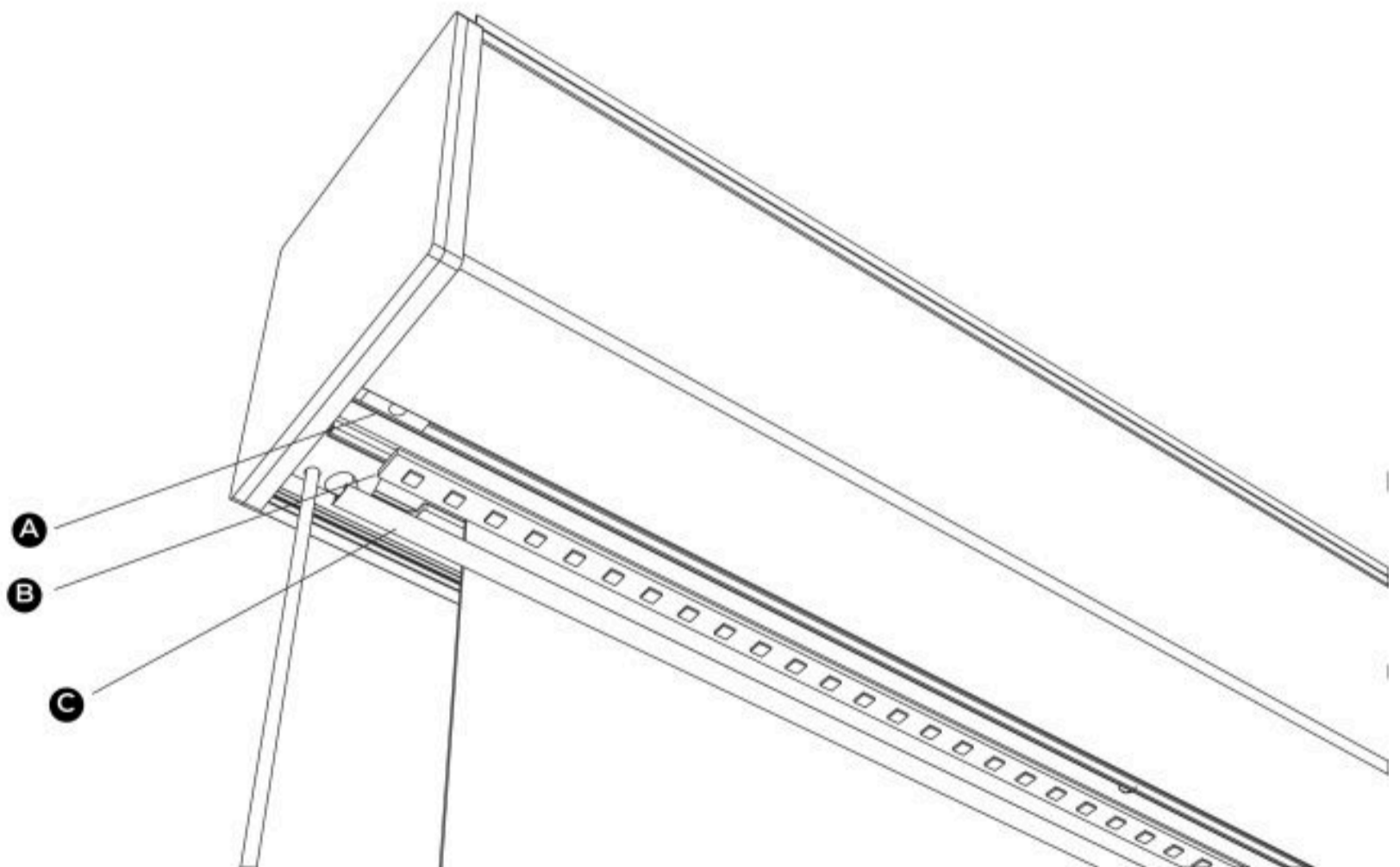
MANUAL OPERATION



MOTORIZED DRIVE



LIGHTNING



Flexibox features a sophisticated white or RGB lighting system located at the bottom of the box, providing a light curtain that can backlight the chosen textile.

A) Trunk lid pin

B) LED strip

