

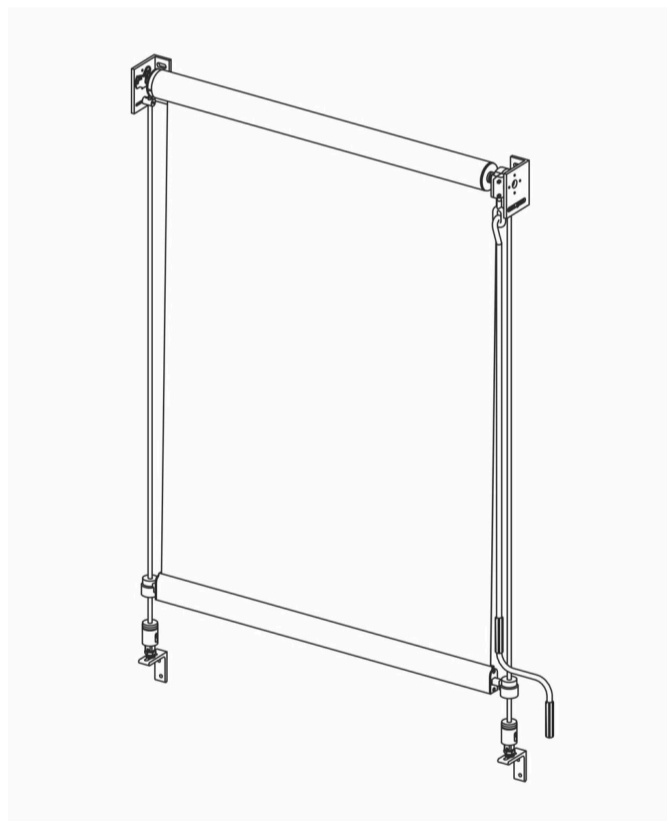


COMMERCIAL CATALOG



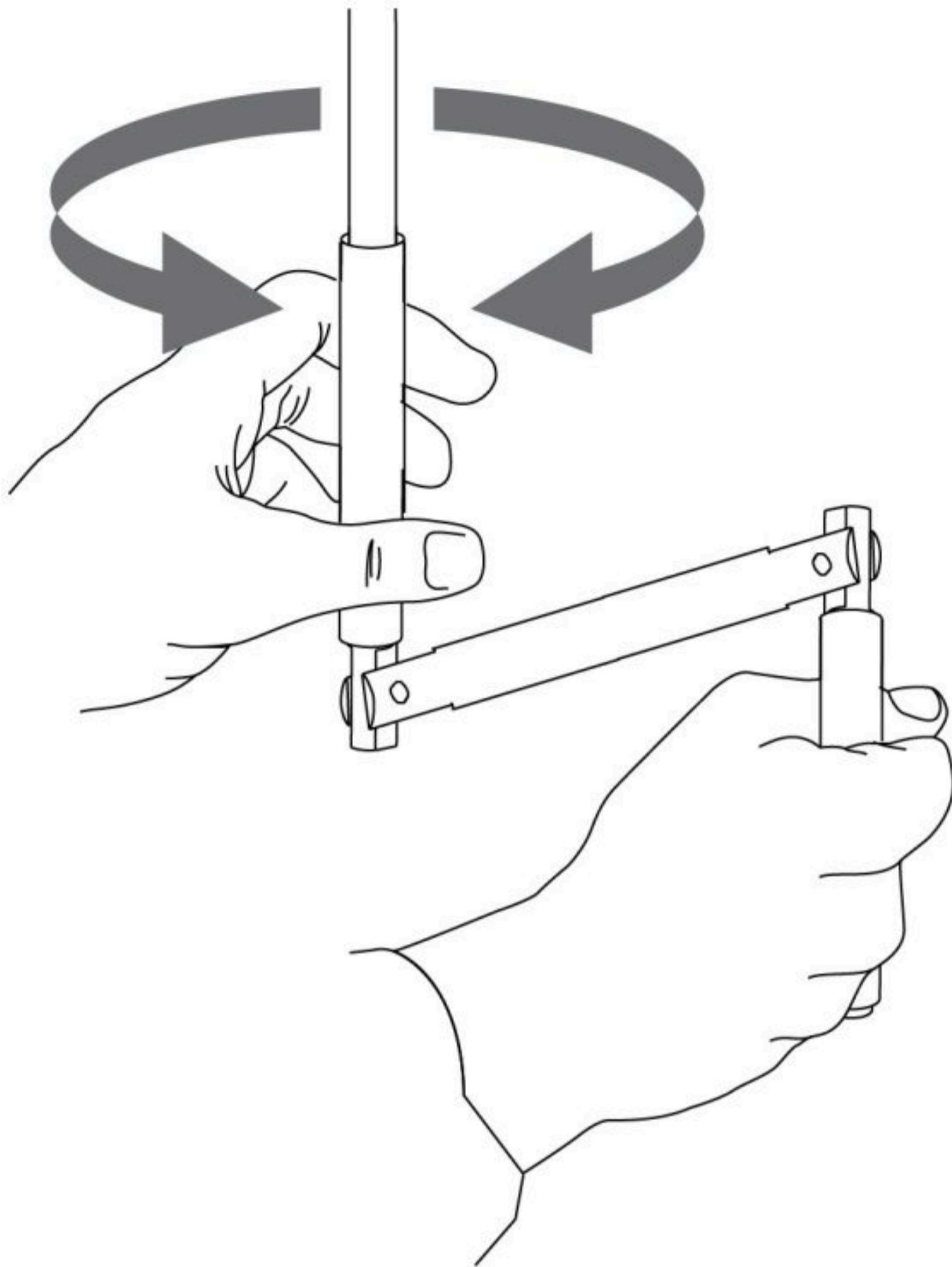
FLEXI

This is an outdoor roller blind, operated manually with a crank or motorized with a remote control; ideal for covering outdoor spaces that require protection from water, sun, and wind. Manufactured to the desired size, offering a high-specification product. The frame is made of anodized or powder-coated aluminum, and its cover can be made of acrylic canvas, textile mesh, clear PVC sheeting, or translucent or blackout PVC canvas. This covering withstands winds up to 80 km/h.

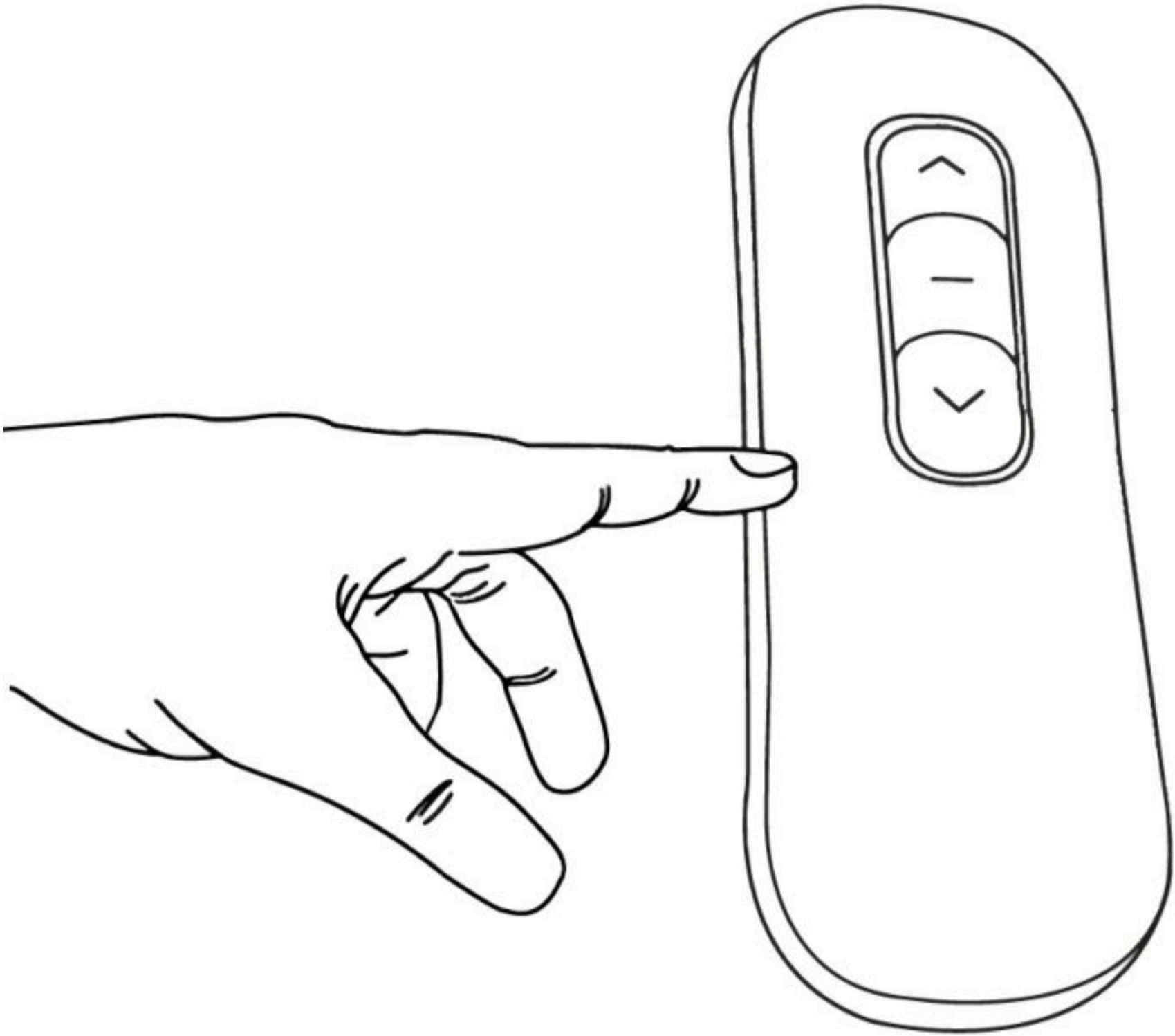


DRIVE

MANUAL



ELECTRIC



MODELS



