



# COMMERCIAL CATALOG



## PERGOSTAR DESIGN

Pergostar Design, this pergola is supported by large posts to withstand the heavy weight of the perimeter frame made of tall aluminum profiles, necessary to conceal all the mechanisms and part of the structure, achieving a powerful, clean, and minimalist design.

The retractable cover is made from heavy-gauge, slightly curved slats. The fabric is curved to distribute water into the side channels within the perimeter frame. This option comes in two variations: horizontal, where the slats are curved and form a tunnel when deployed, or the taut option, where the slats are straight but sloped to achieve a taut Roman effect and thus evacuate water to the perimeter frame. It can withstand severe weather changes and winds of up to 100 km/h.



By adding extras to the temples, we can create an arched roof, achieving a clean, tunnel-like design.

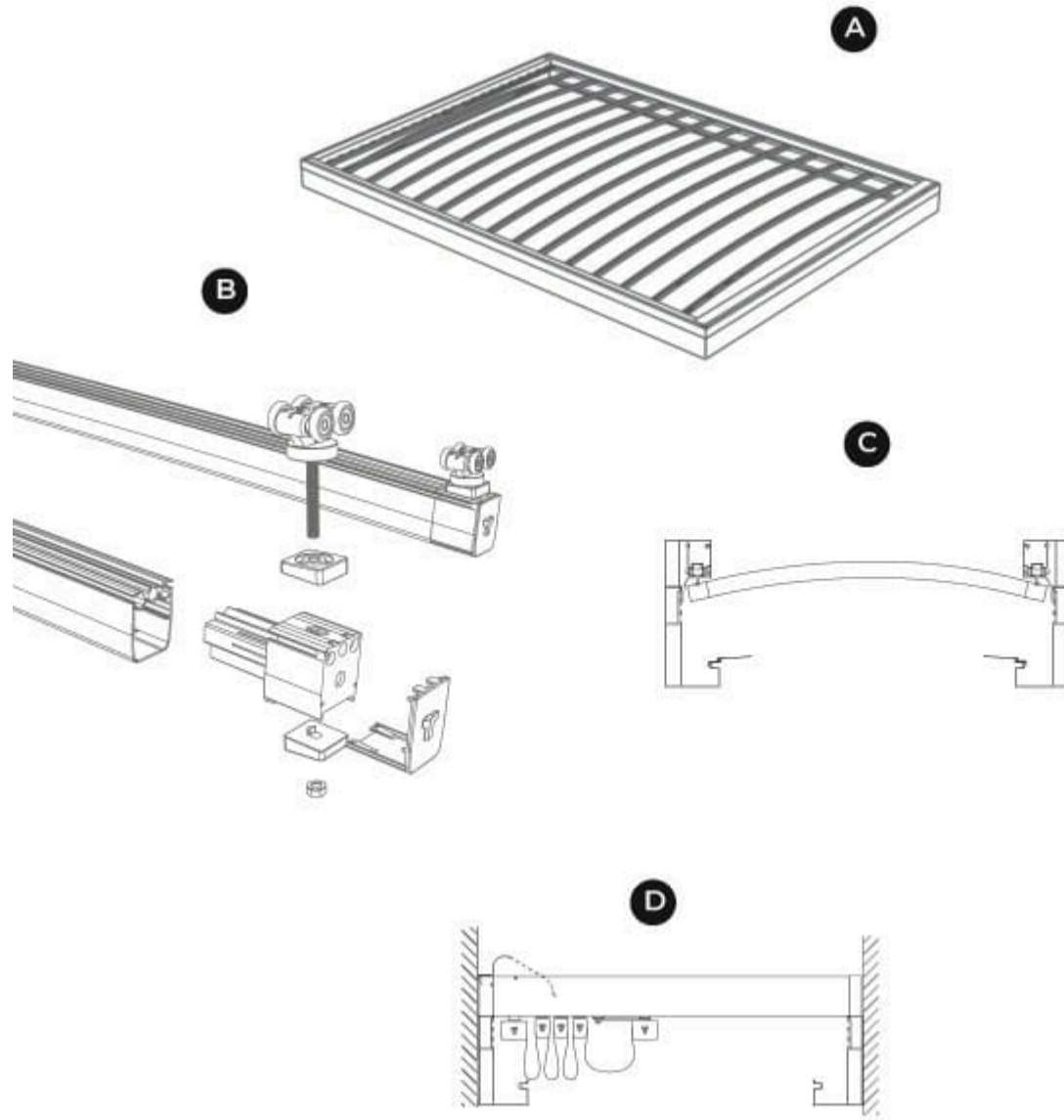


---

CANVAS CONFIGURATION

**Single-sided canvas (canvas arched on one side and loose on the other)**

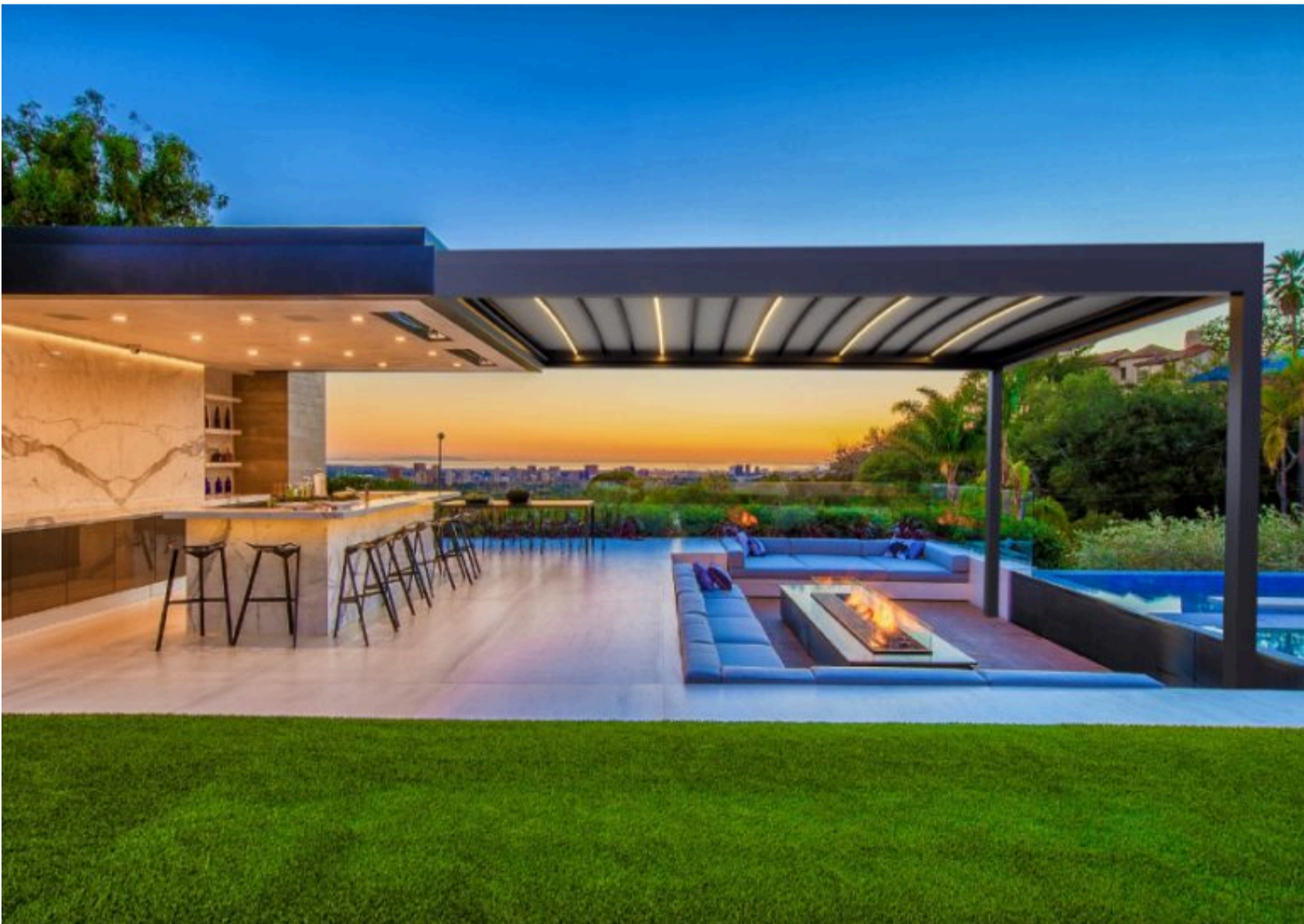
- A)** Arched modules
- B)** Thickness
- C)** Water discharge
- D)** Side view of the engine



---

WITH POSTS

---



---

BETWEEN WALLS

---



---

WITH TENSIONERS

---



---

Gazebo

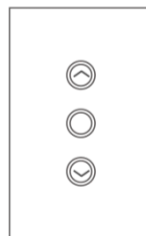
---



## TOSCANA DYNAMIC



All our pergolas come standard with our powerful "Toscana Dynamic" smart control unit. This exclusive device, developed by our engineering department, will allow users to enjoy a unique and wonderful experience with their pergola. Below, you can experience the full capabilities of "Toscana Dynamic."

**PUSH BUTTON CONTROL****REMOTE CONTROL****GOOGLE HOME AND ALEXA ASSISTANTS****WEB (QR)**





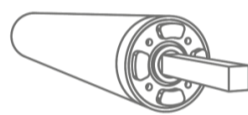
**LIGHTNING**



**SCENARIOS**



**MOTORIZATION**



**VIDEO**

