



COMMERCIAL CATALOG



PERGODOM CLASSIC

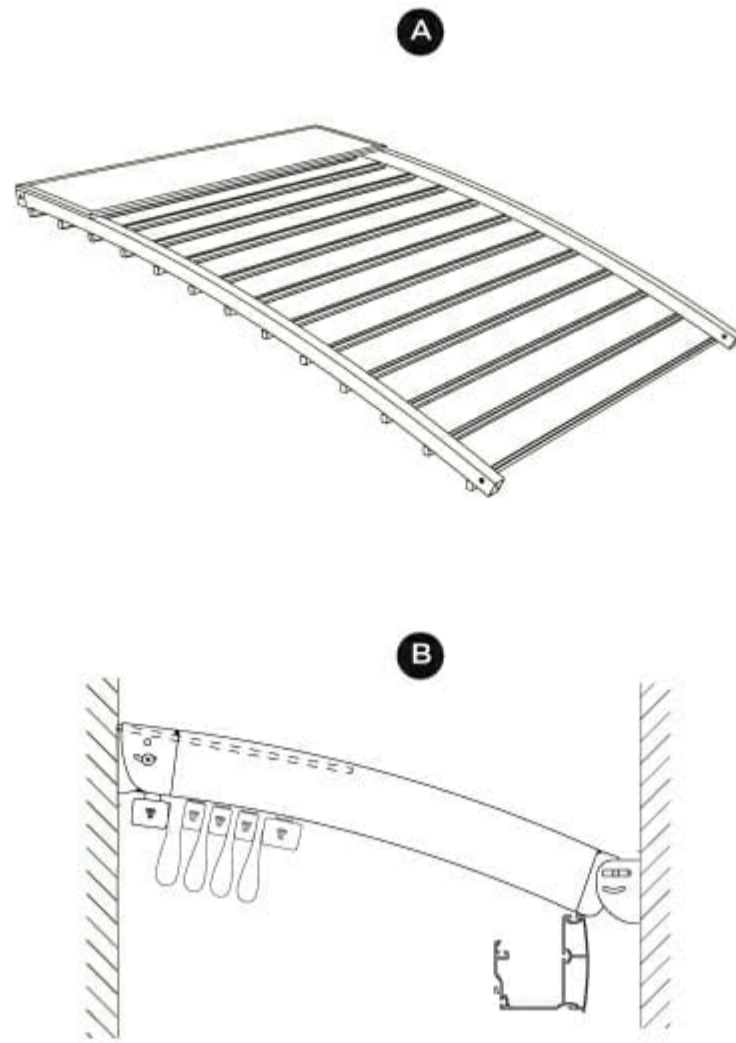
It's a combination of a pergola and a roll-up awning, which is tensioned when open. The fabric is attached to a system of transverse aluminum rods, which move along curved rails thanks to specially designed trolleys. It operates with an electric motor specifically designed for this product, guaranteed to withstand severe weather changes and winds of up to 80 km/h (resistance under the weight of snow is not guaranteed).



CANVAS CONFIGURATIONS

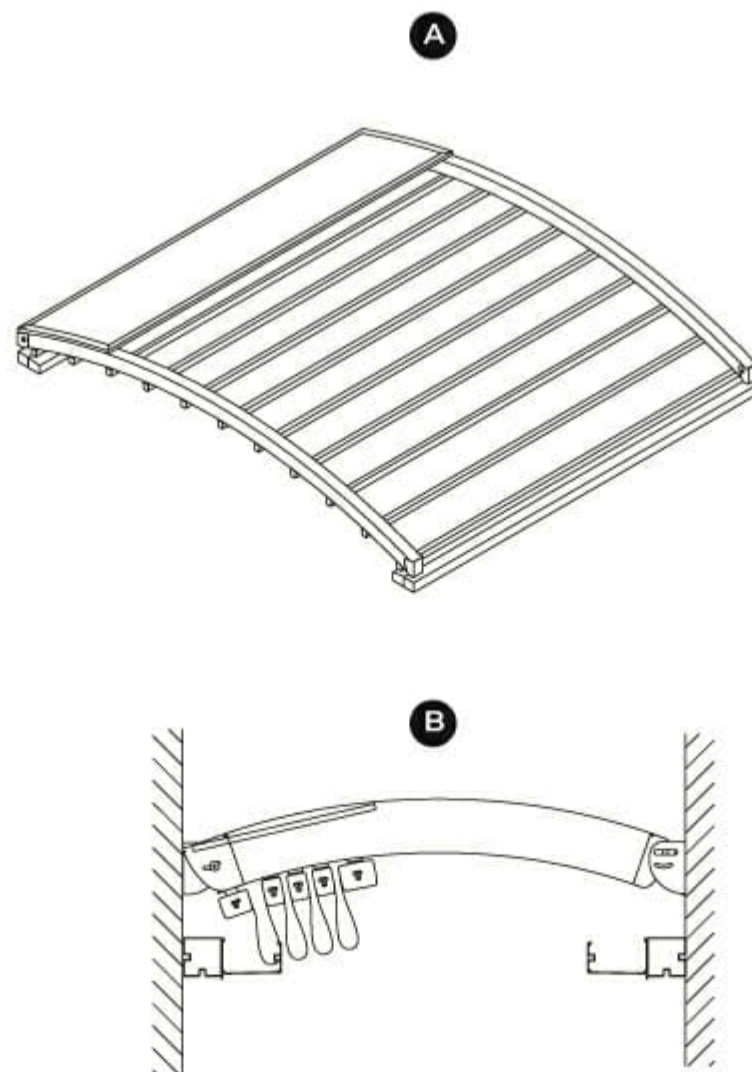
Tensioned canvas – conventional (front drainage towards canal plus)

- A) Conventional tensile model
- B) Side view of the conventional engine



Tensioned canvas – horizontal (front drain towards classic channel)

- A)** Horizontal tense model
- B)** Side view of the horizontal engine
- C)** Side view of the engine



WITH POSTS



BETWEEN WALLS



WITH TENSIONERS



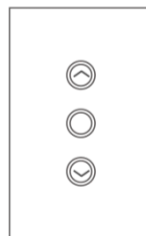
Gazebo



TOSCANA DYNAMIC



All our pergolas come standard with our powerful "Toscana Dynamic" smart control unit. This exclusive device, developed by our engineering department, will allow users to enjoy a unique and wonderful experience with their pergola. Below, you can experience the full capabilities of "Toscana Dynamic."

PUSH BUTTON CONTROL**REMOTE CONTROL****GOOGLE HOME AND ALEXA ASSISTANTS****WEB (QR)**



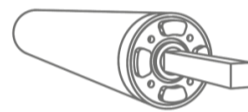
LIGHTNING



SCENARIOS



MOTORIZATION



VIDEO

