



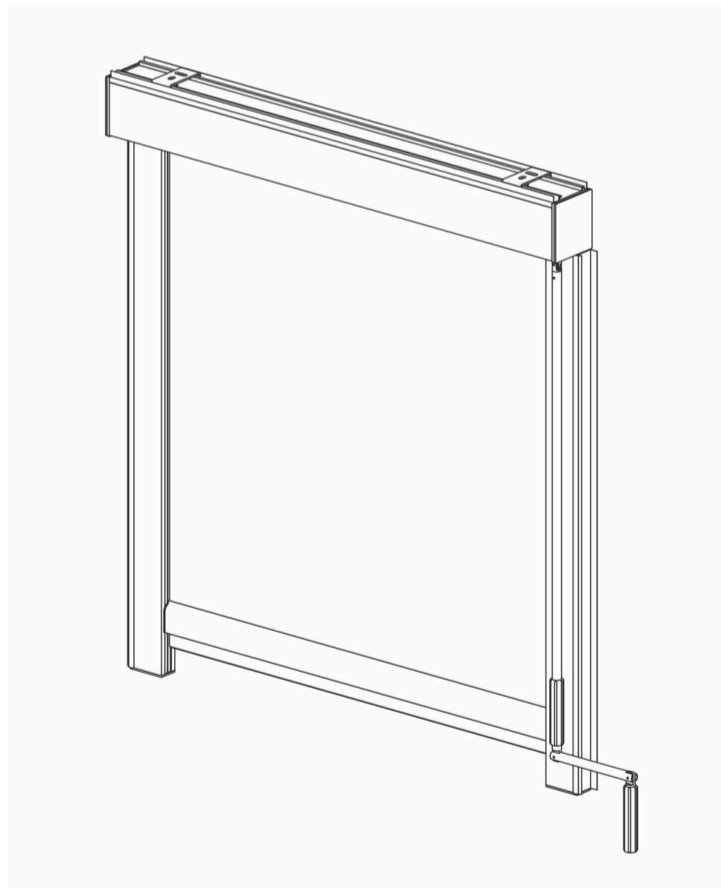
COMMERCIAL CATALOG



FLEXIZIPP

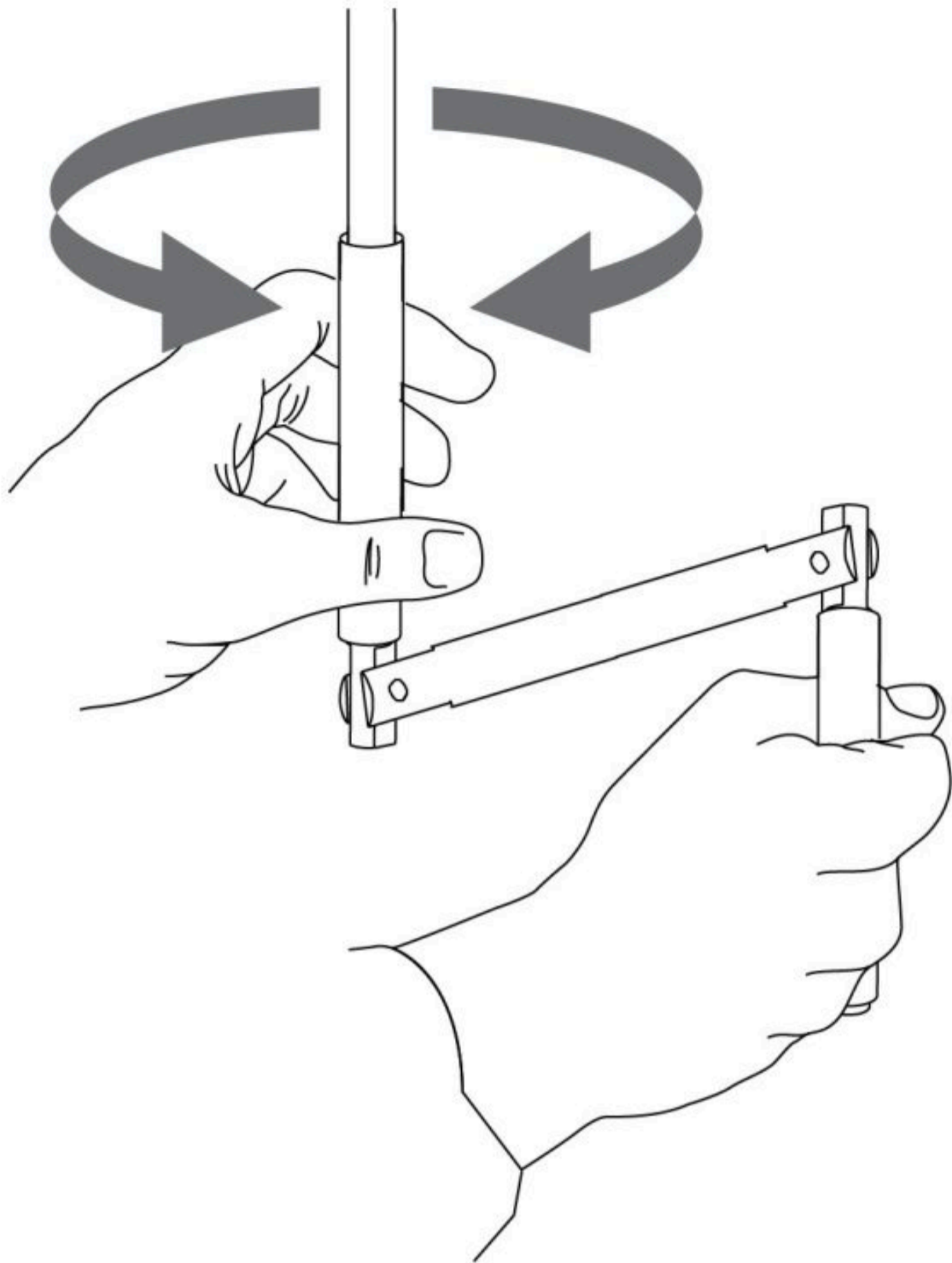
This roller blind is for outdoor use, operated manually with a crank or motorized with a remote control. It is equipped with a box that protects the canvas and the internal mechanism. It also has a completely airtight seal. It can be used for residential or commercial purposes, providing protection from the sun, rain, wind, and climate.

This cover is custom-made, offering personalized service of excellent quality. The structure is made of anodized aluminum, and its protection can be made of imported Dickson brand acrylic canvas, Batyline mesh, and the option of having transparent or translucent applications according to the client's request.

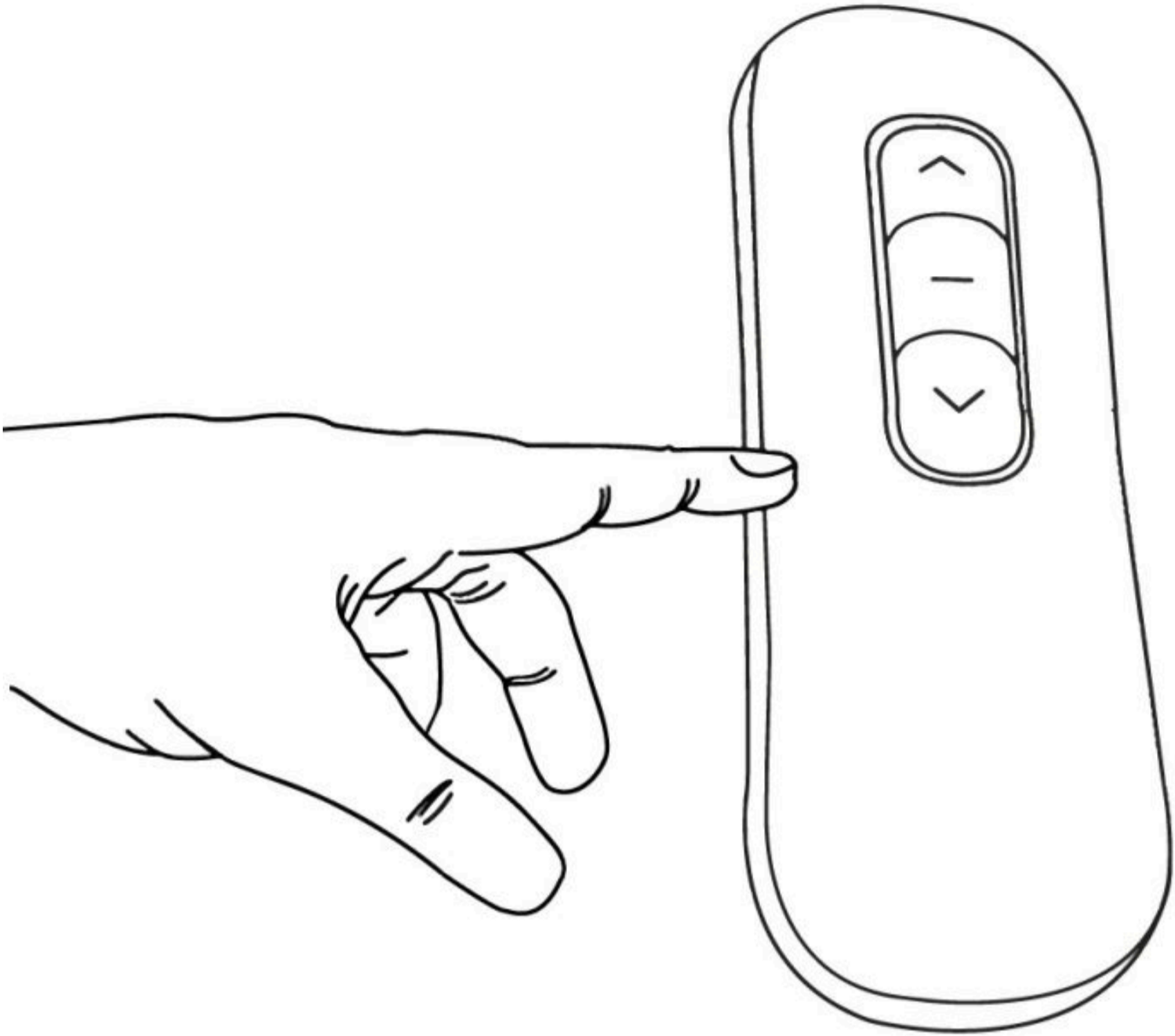


DRIVE

MANUAL



ELECTRIC



MODELS



