





FICHA TECNICA



FLEXIBOX

This is an outdoor roller blind, operated manually with a crank or motorized with a remote control. It has a box that protects the fabric and the internal mechanism. This product is custom-made, offering a high-specification product. The structure is made of anodized aluminum or powder-coated with electrostatic paint, and its cover can be acrylic canvas, textile mesh, clear PVC sheeting, or translucent or blackout PVC canvas. Depending on the client's request, it can be manufactured in different colors and the option of printing the brand's logo on it.

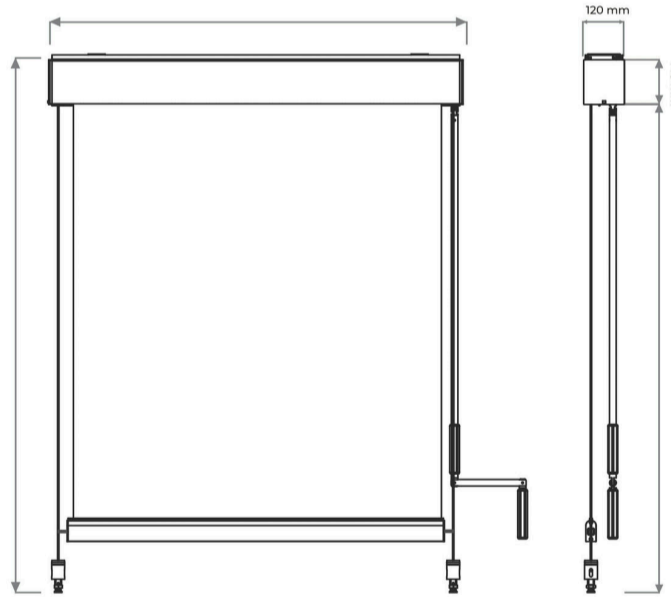
Its uses range from residential to commercial, providing protection from the sun, rain, and wind. The load-bearing bar design allows for the installation of 4.2 kg/m² steel bars to provide improved canvas tension in intermediate positions. This product can be free-standing or vertically guided, with two locking systems at the bottom to prevent it from losing tension when hit by wind.

TECHNICAL CHARACTERISTICS

- Structure made of 6063-T5 aluminum profiles
- Lacquered finish with electrostatic powder coating or anodized
- Stainless steel screws and fasteners
- Wind resistance: 35 km/h
- Sound insulation: 34 db
- Thermal insulation: 6.5 w/m²k
- Water resistance: class 2a
- Screen materials: Clear, mesh, PVC canvas or acrylic canvas



MODEL



MAXIMUM SIZES

MATERIAL	TUBE	HEIGHT	BROAD
CLEAR	78	4 m	4.5 m
SCREEN	78	4 m	5 m
CLEAR	85	3.2 m	5.5 m
SCREEN	85	3.2 m	6 m

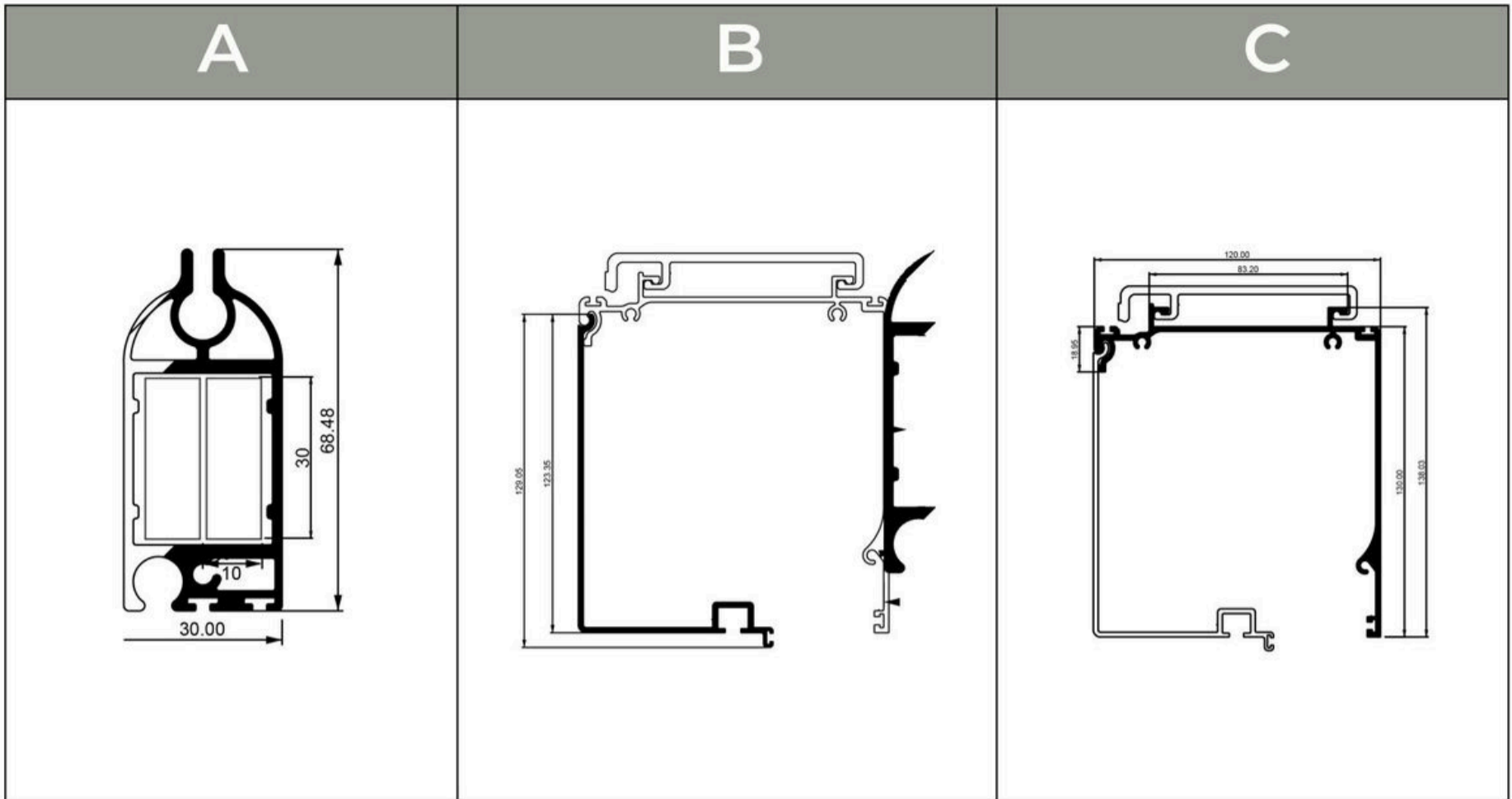
The fabric of the canvas can be: Transparent, blackout or mixed, that is, a blackout frame with a transparent window.

GUIDE AND LOCKING SYSTEMS

These guide and locking systems are:

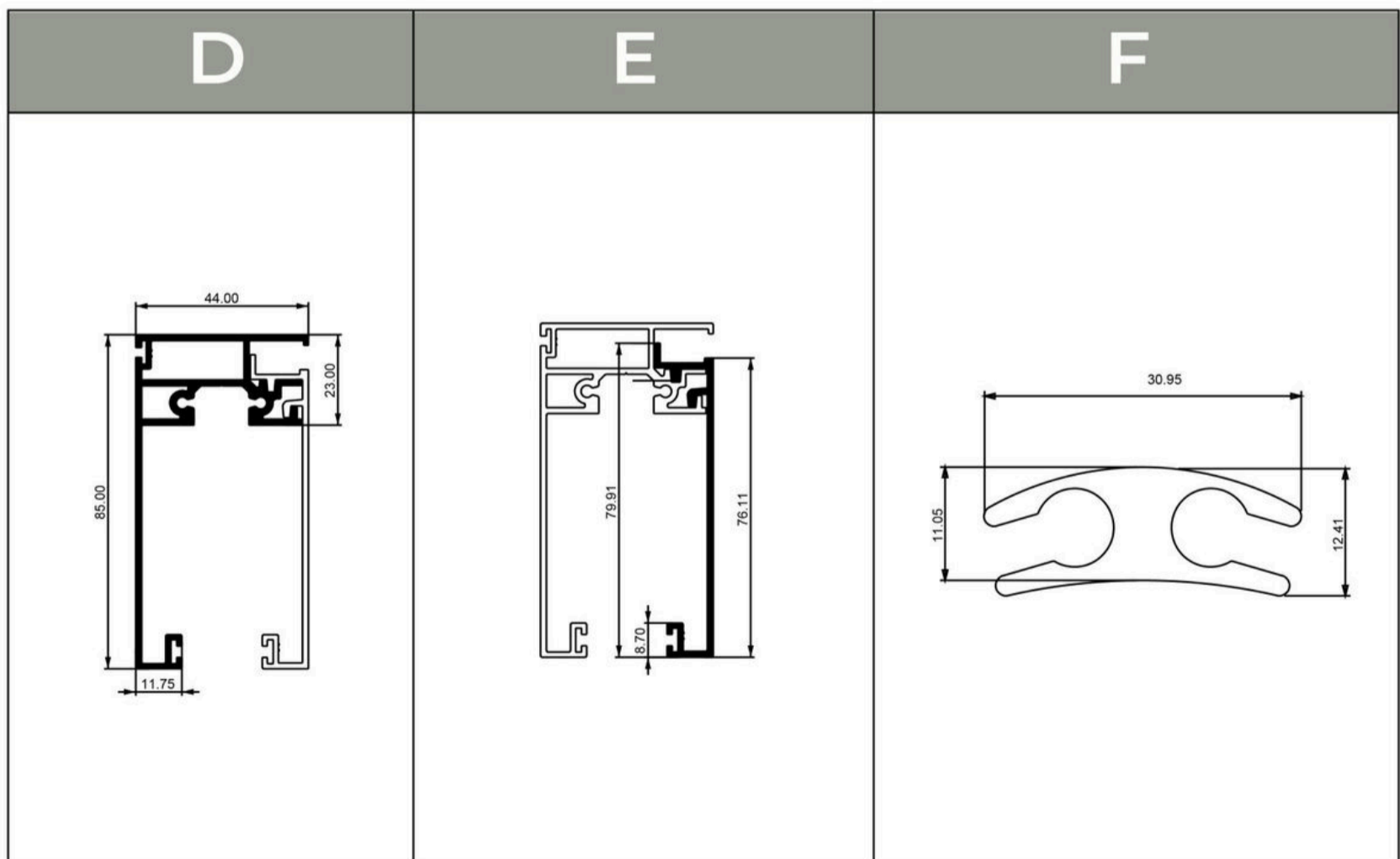
-6 mm caliber wire guide-10 mm diameter stainless steel round bar guide

- Magnetic locking, which acts like a fuse, releasing tension, causing the curtain to bulge into a sail-like wave, allowing the customer to roll up the curtain without causing damage from the load bar coming loose.
- Mechanical floor block, which allows the fabric to be tensioned like a drum by the action of the motor in reverse after locking it to the floor. When wind gusts exceed 50 km/h, its use is not recommended, as it can cause damage by dislodging the structure's anchors. This product can also be guided by wire ropes, steel bars, or can be lowered freely. This product is an excellent complement to our retractable pergolas.



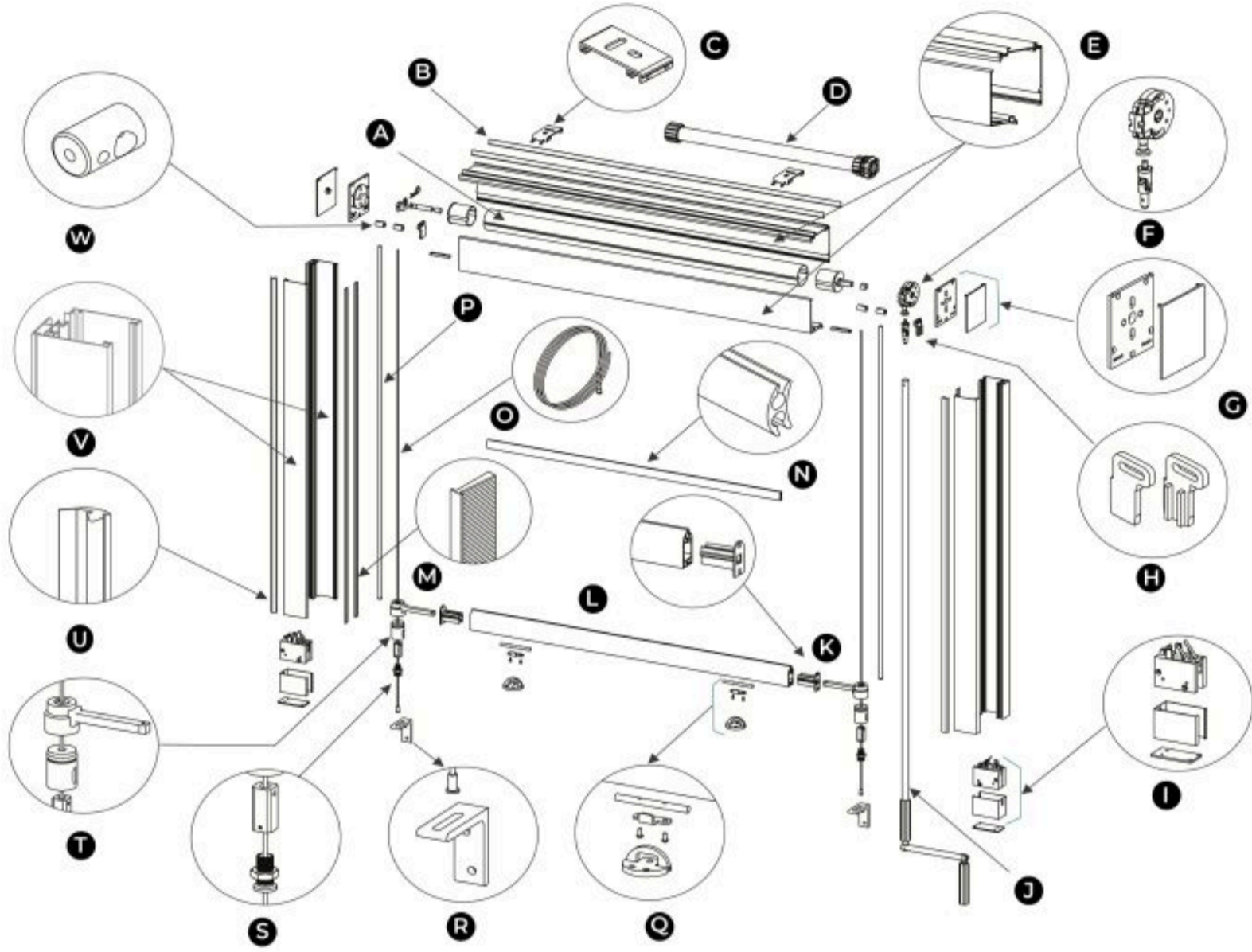
TO	OVERWEIGHT BAR - 4.2 KG/ML
B	MOBILE CHEST LID -123M x129M
C	PERFIL COFRE FIJO - 18.95M x120M x 130M

PERFILES TIPO ACCESORIO



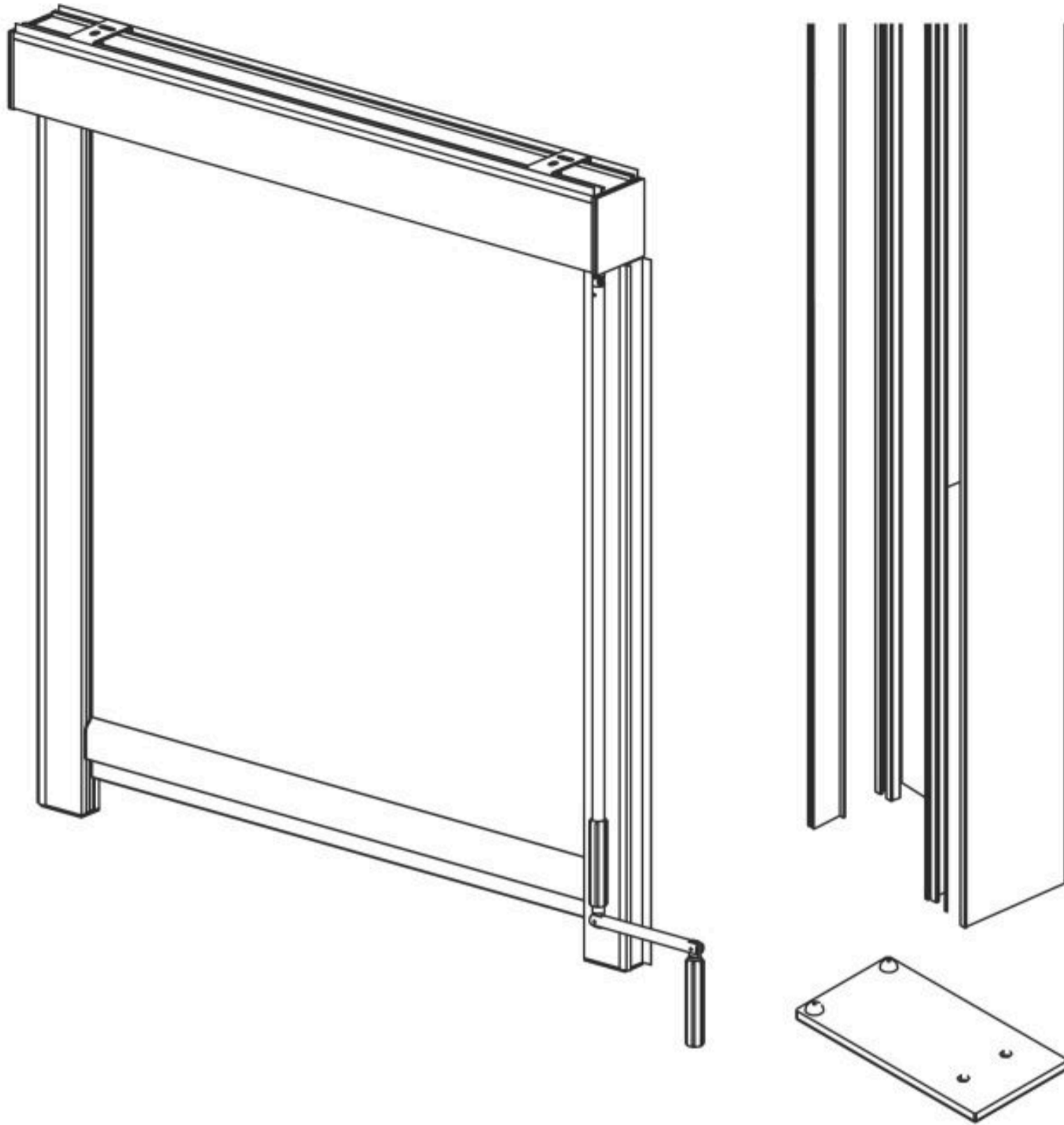
D	GUÍA VERTICAL 85M x 44M x 23M x 11.7
E	TAPA GUÍA VERTICAL 79M x 76M x 8.7 M
F	PERFIL CORTA VIENTOS 11M x 30M x 12.4M

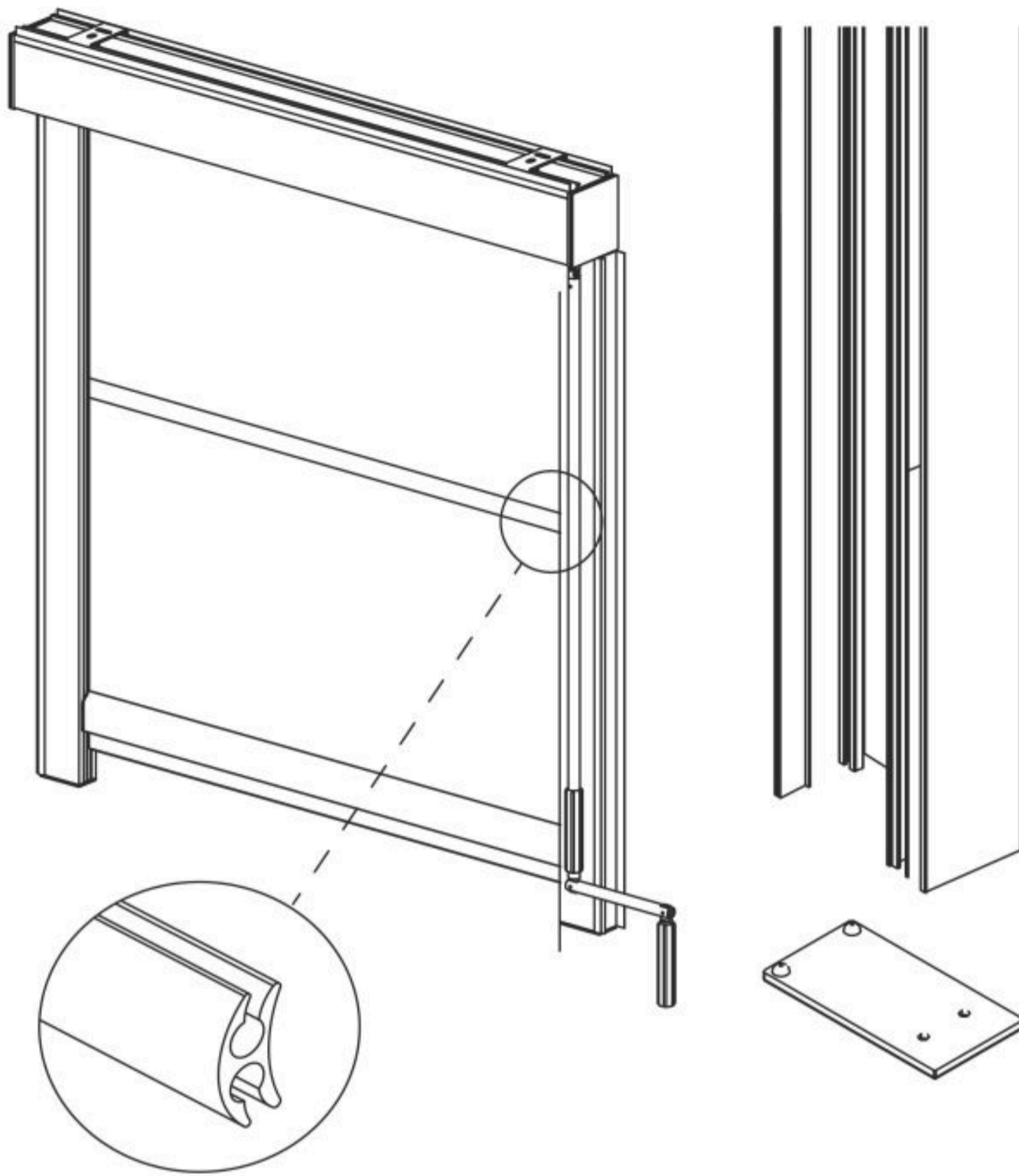
EXPLOSIÓN FLEXIBOX

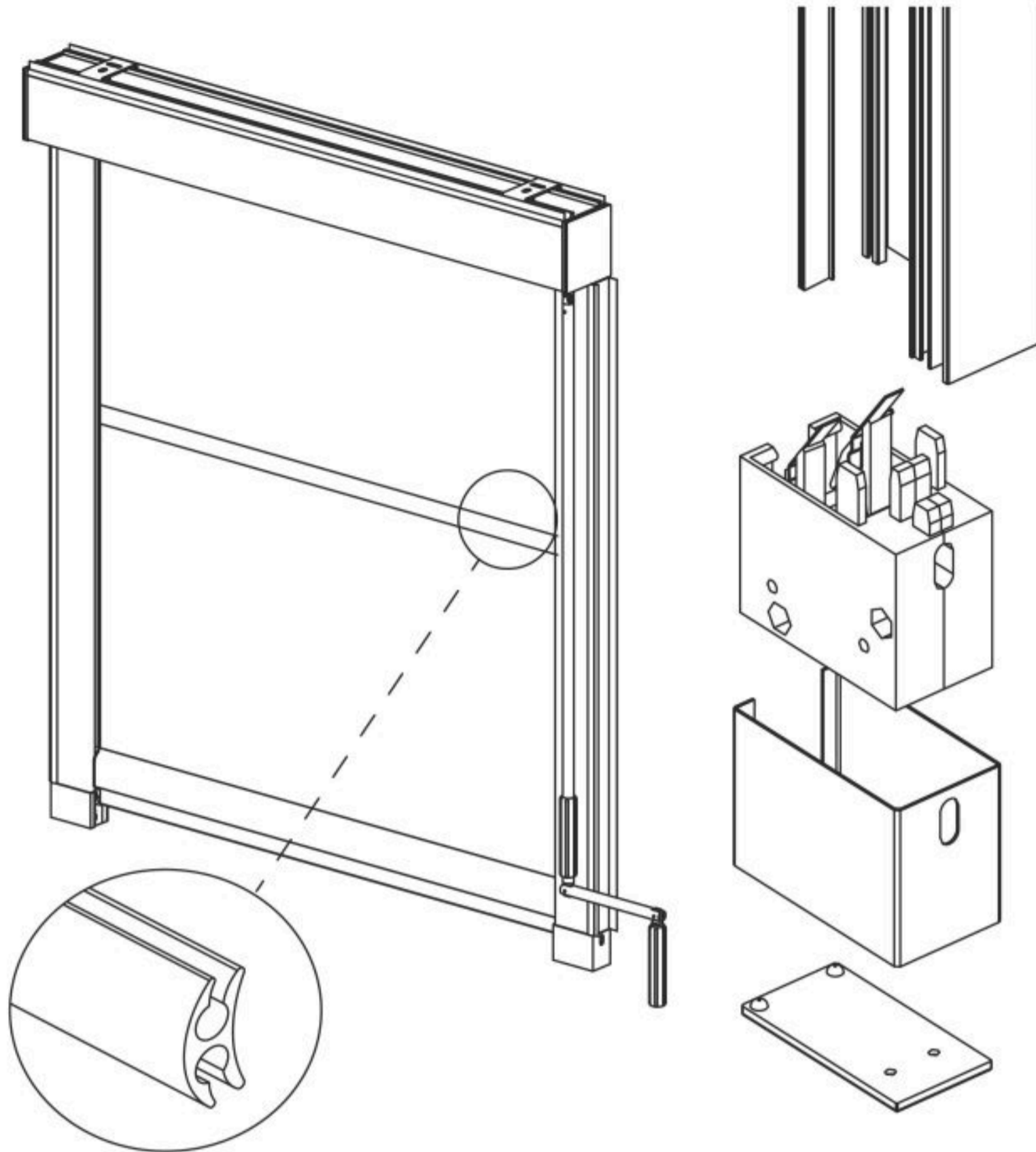


A	Tubo de Ø78 y Ø85
B	Sello superior en pvc
C	Soporte a techo
D	Motor Eléctrico
E	Cofre 130x120
F	Máquina sinfín 10/1mm 25 + kit magnético
G	Oreja Motor
H	Platina unión guías
I	Bloqueo Automatico
J	Manivela
K	Tapa Barra de carga
L	Barra de carga
M	Escobilla
N	Perfil cortavientos
O	Cable en inox
P	Varilla Ø 10
Q	Bloqueo a piso
R	Escuadra soporte guía a pared
S	Tensor en inox
T	Bloqueo con Imán
U	Perfil lateral pvc
V	Guías Laterales
W	Eje bloqueo para cable o varilla

SISTEMAS







FLEXIBOX **A**

GUIA	ACESSORIOS
<p>PERFIL GUÍA</p>	<ul style="list-style-type: none"> - FIJACIÓN A TECHO O A PARED - FRONTAL Y LATERAL - BARRAS DE SOBREPESO

VENTAJAS

Fácil instalación a marcos o pórticos, con guías laterales los cuales le dan mayor estabilidad frente al viento.

FLEXIBOX B

GUIA	ACESSORIOS
<p style="text-align: center;">PERFIL GUÍA</p>	<ul style="list-style-type: none"> - FIJACIÓN A TECHO O A PARED - FRONTAL Y LATERAL - CORTA VIENTOS - BARRAS DE SOBREPESO

VENTAJAS

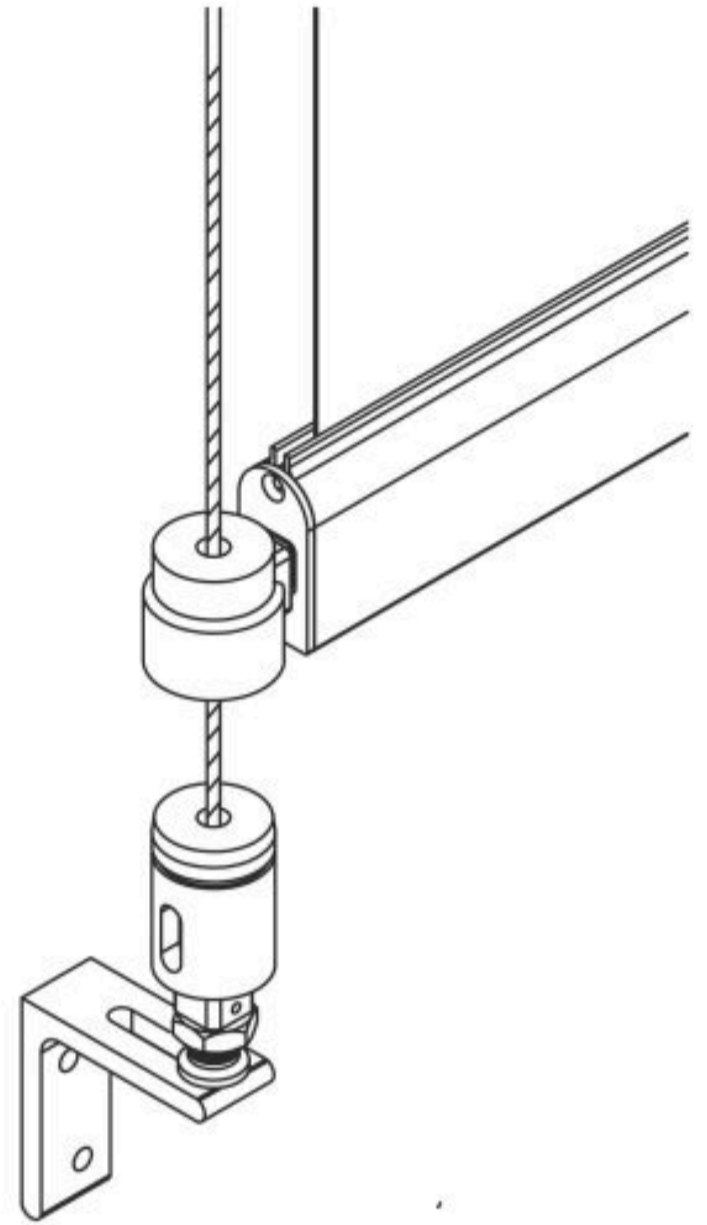
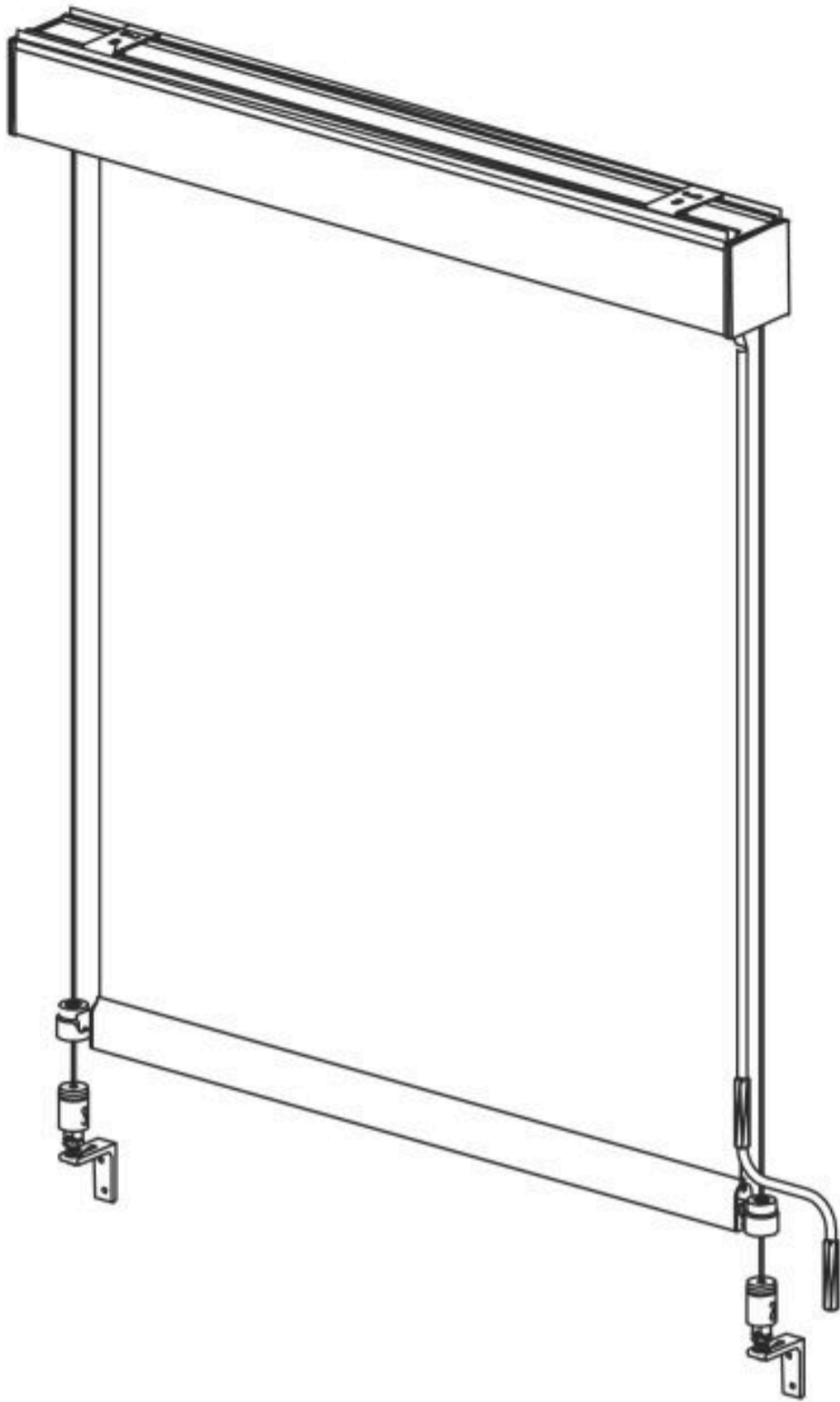
Fácil instalación a marcos o pórticos, con guías laterales, además de tener nuestro perfil cortavientos, especialmente diseñados para que puedan soportar fuertes ráfagas de viento.

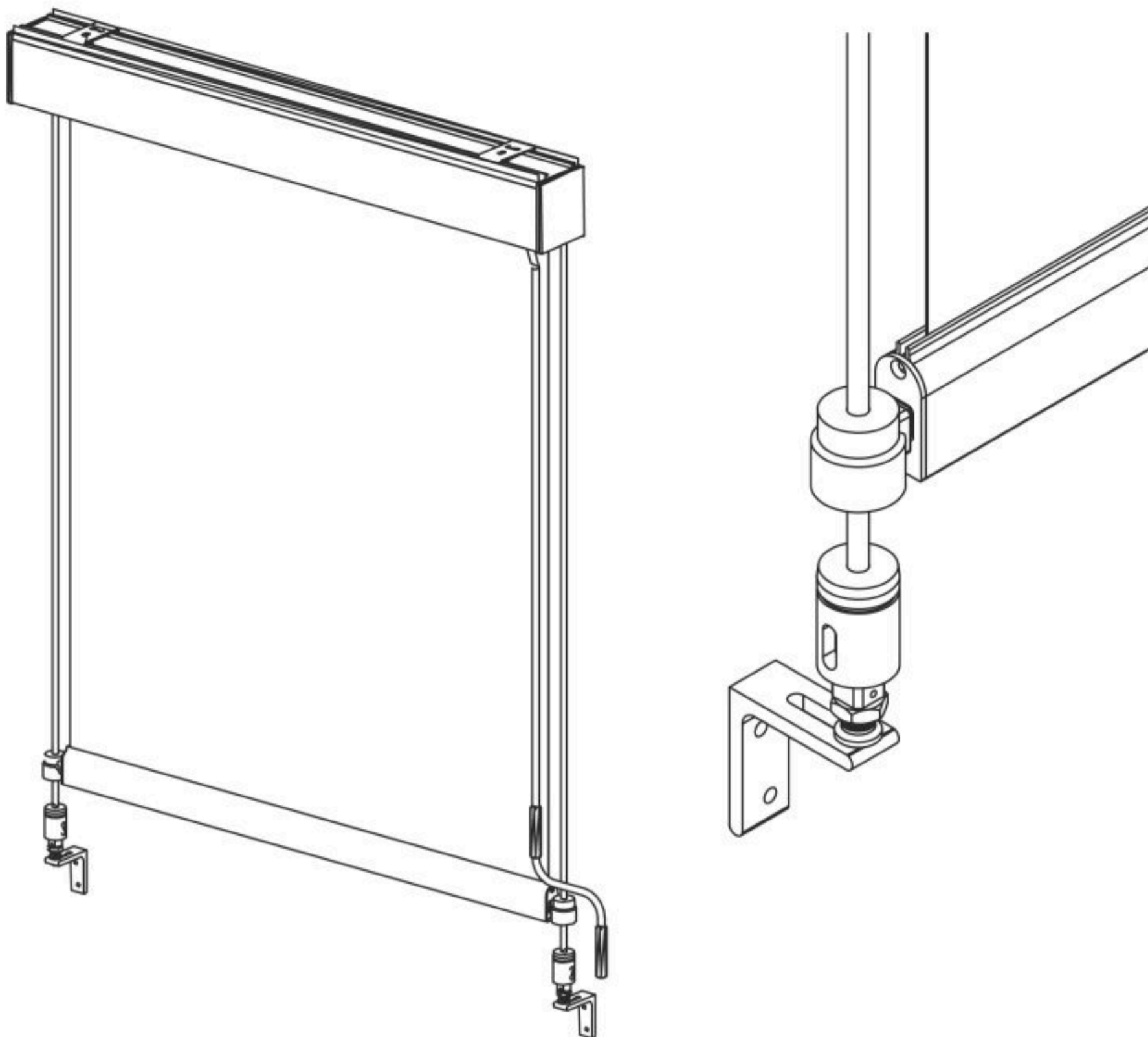
FLEXIBOX C

GUIA	ACESSORIOS
<p style="text-align: center;">PERFIL GUÍA</p>	<ul style="list-style-type: none"> - FIJACIÓN A TECHO O A PARED - FRONTAL Y LATERAL - BLOQUEO AUTOMATICO - CORTA VIENTOS - BARRA DE SOBREPESO

VENTAJAS

Fácil instalación a marcos o pórticos, con guías laterales, además de tener nuestro perfil cortavientos, especialmente diseñado para que pueda soportar fuertes ráfagas de viento; Incluye un sistema de bloqueo automático haciéndolo muy seguro.





FLEXIBOX **D**

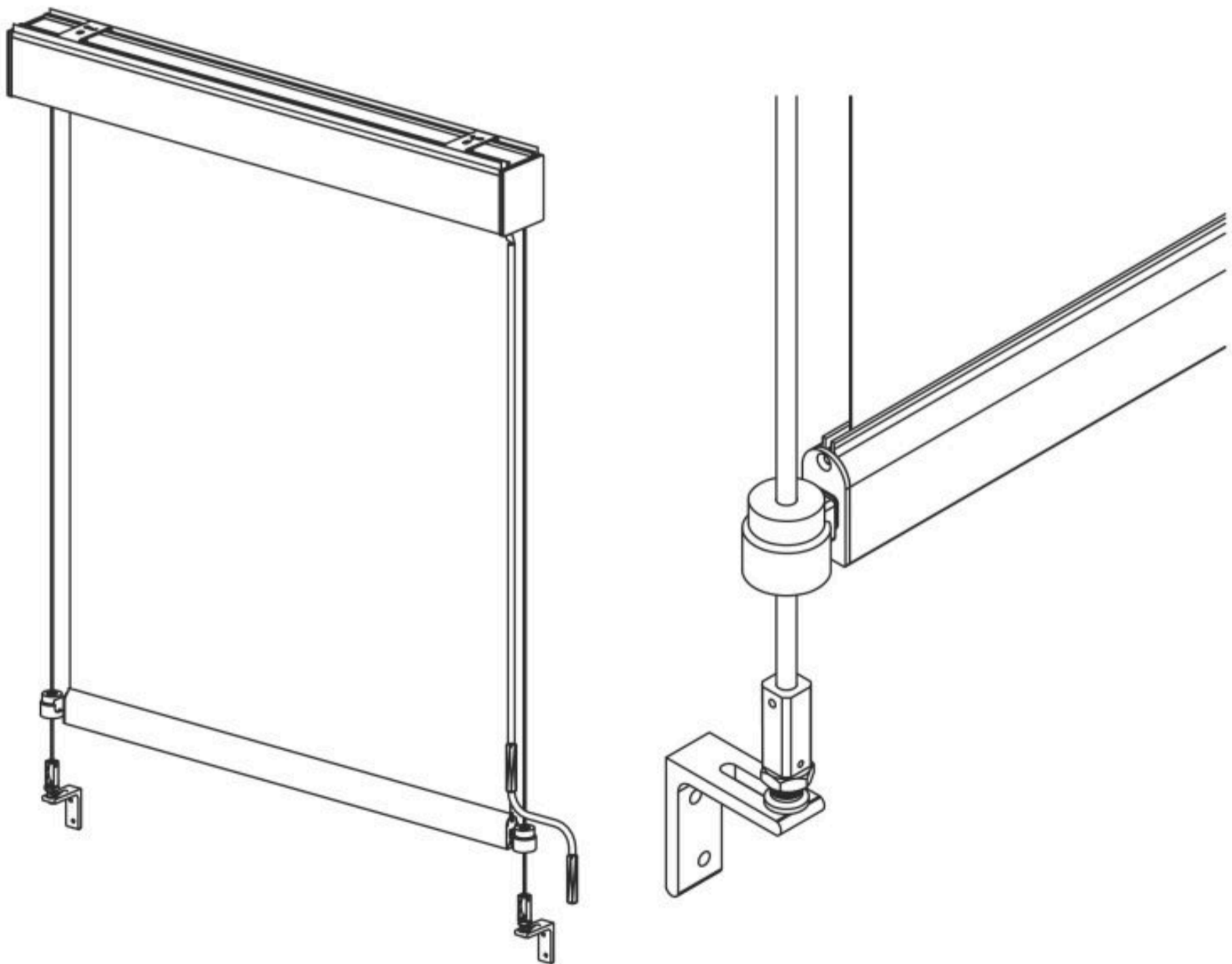
GUIA	ACESSORIOS
<p>GUAYA</p>	<ul style="list-style-type: none"> - FIJACIÓN A TECHO O A PARED - FRONTAL Y LATERAL - FIJACIÓN A PARED INFERIOR - BLOQUEO CON IMAN - BARRAS DE SOBREPESO

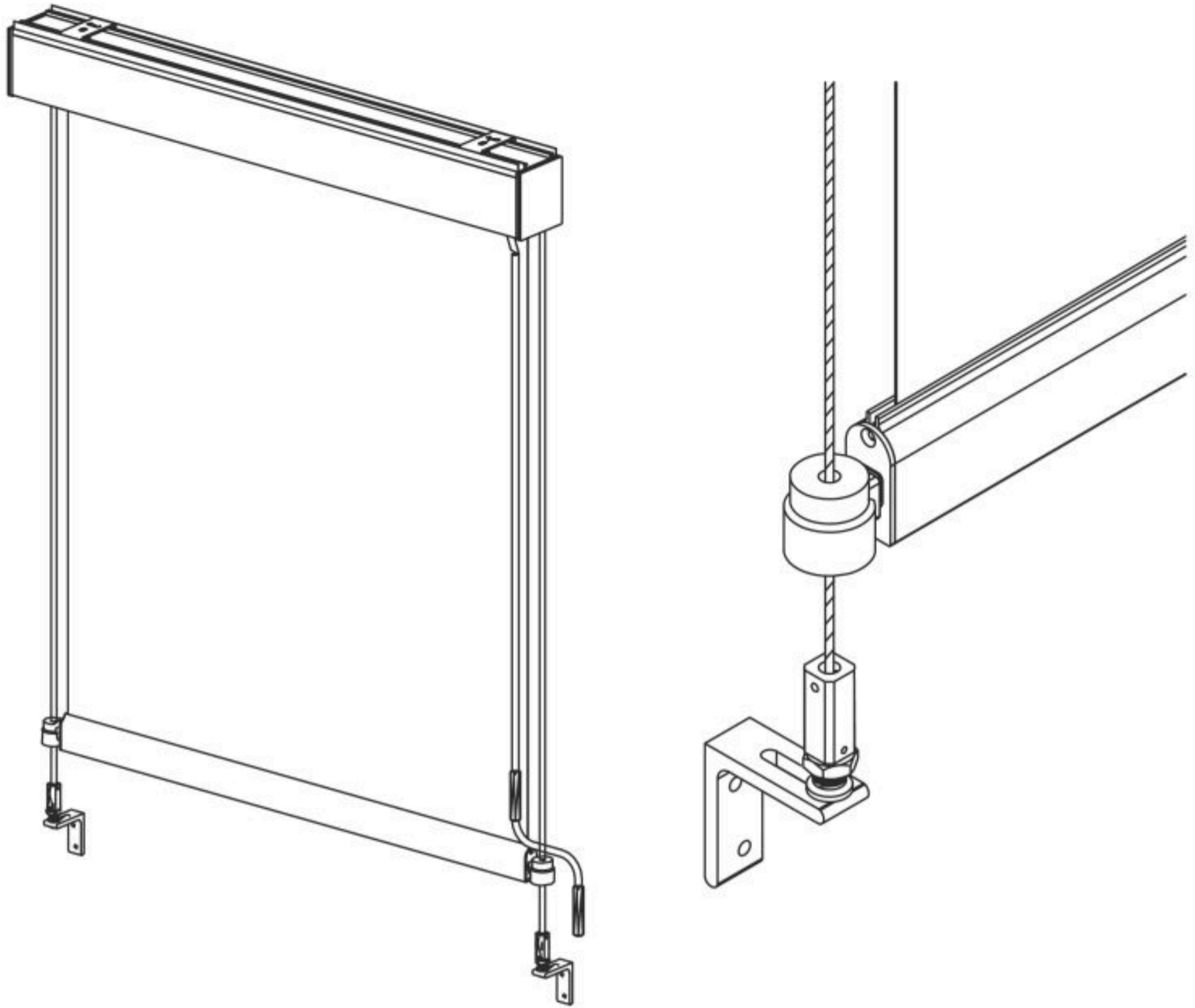
VENTAJAS

Fácil instalación a diferentes tipos de fachadas de manera frontal, posee mecanismo de seguridad con imanes, los cuales funcionan como fusibles que se desprenden cuando hay fuertes corrientes de viento, evitando la ruptura de la lona.

FLEXIBOX E

GUIA	ACESSORIOS
<p>BARRA REDONDA 10 MM</p>	<ul style="list-style-type: none"> - FIJACIÓN A TECHO O A PARED - FRONTAL Y LATERAL - FIJACIÓN A PARED INFERIOR - BLOQUEO CON IMAN - BARRAS DE SOBREPESO





FLEXIBOX **F**

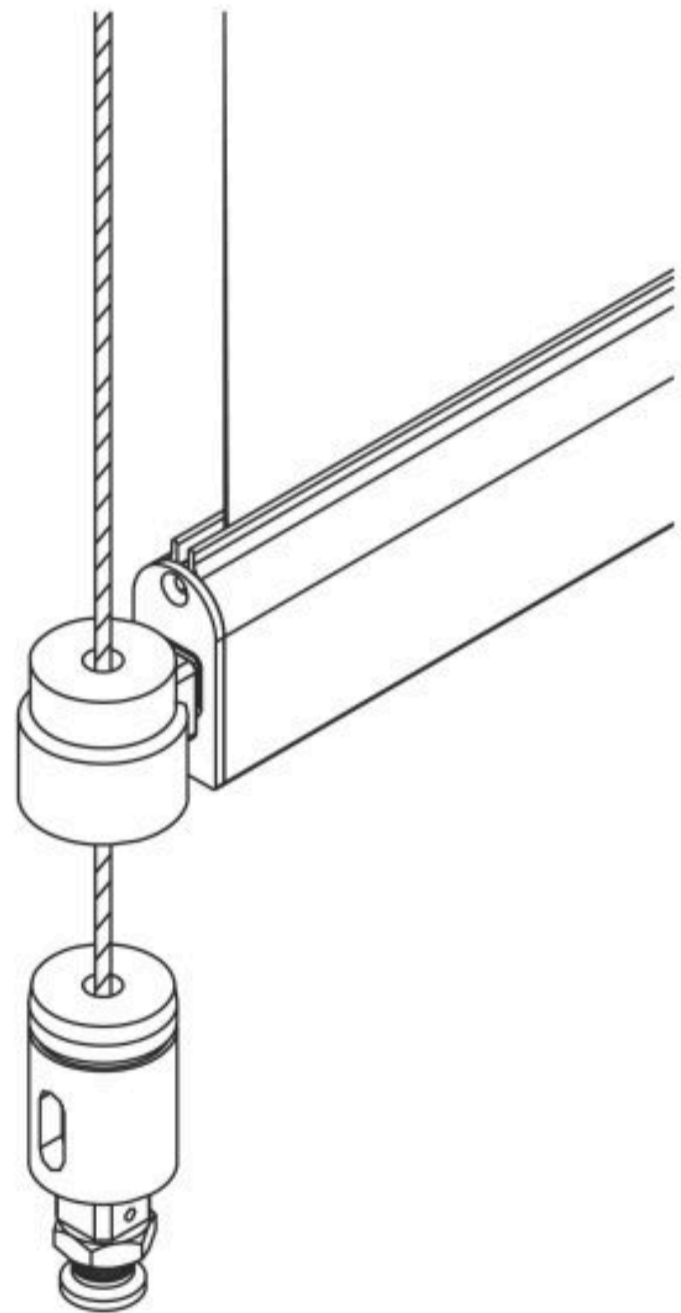
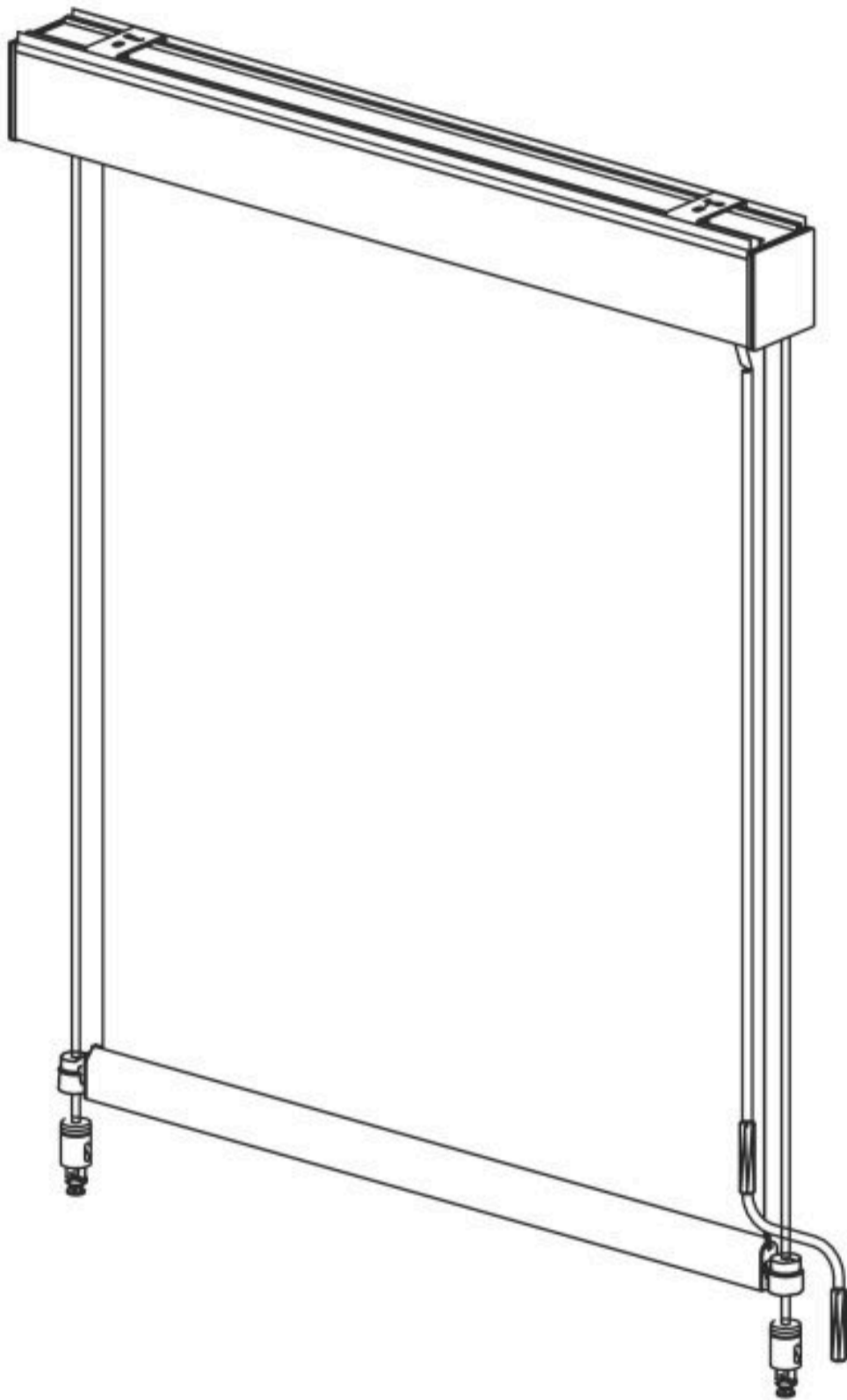
GUIA	ACESSORIOS
GUAYA	<ul style="list-style-type: none"> - FIJACIÓN A TECHO O A PARED - FRONTAL Y LATERAL - FIJACIÓN A PARED INFERIOR - BARRAS DE SOBREPESO

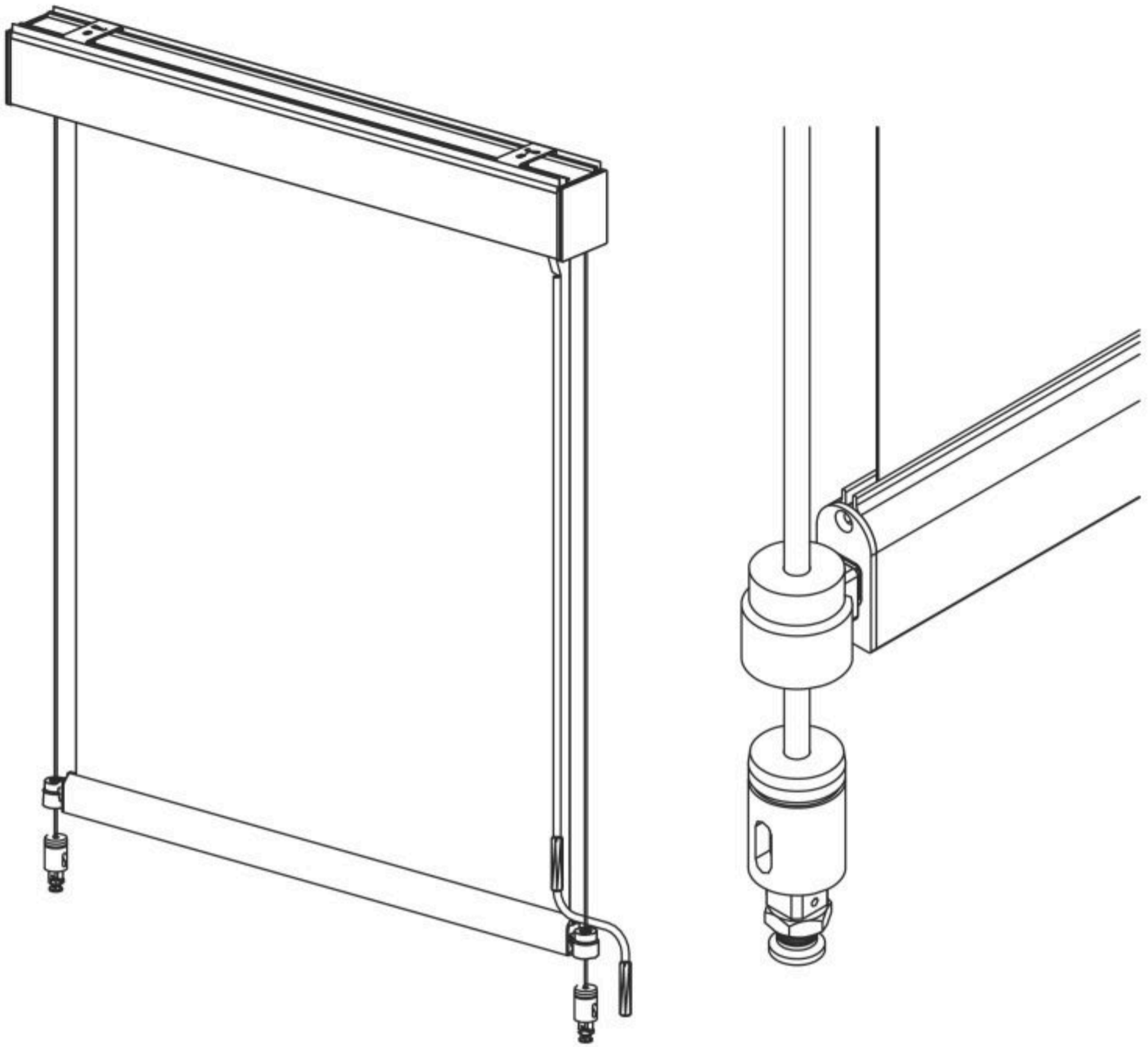
VENTAJAS

Fácil instalación a diferentes tipos de fachadas de manera frontal, ideal para encerrar lugares con corrientes de viento normal.

FLEXIBOX G

GUIA	ACESSORIOS
<p>BARRA REDONDA 10 MM</p>	<ul style="list-style-type: none">- FIJACIÓN A TECHO O A PARED- FRONTAL Y LATERAL- FIJACIÓN A PARED INFERIOR- BARRA DE SOBREPESO





FLEXIBOX H

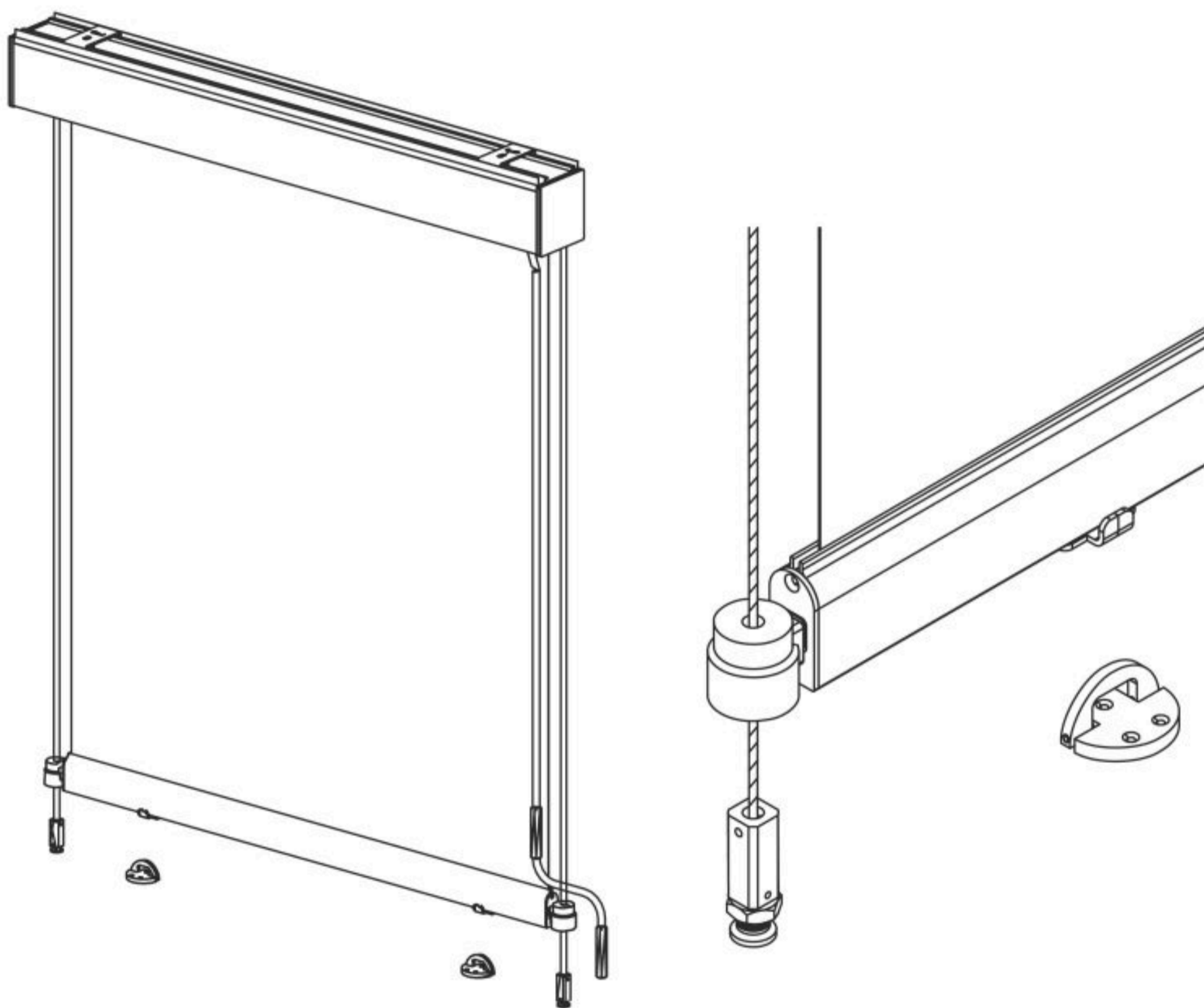
GUIA	ACESSORIOS
<p>GUAYA</p>	<ul style="list-style-type: none"> - FIJACIÓN A TECHO O A PARED - FRONTAL Y LATERAL - FIJACIÓN A PARED INFERIOR - BLOQUEO CON IMAN - BARRAS DE SOBREPESO

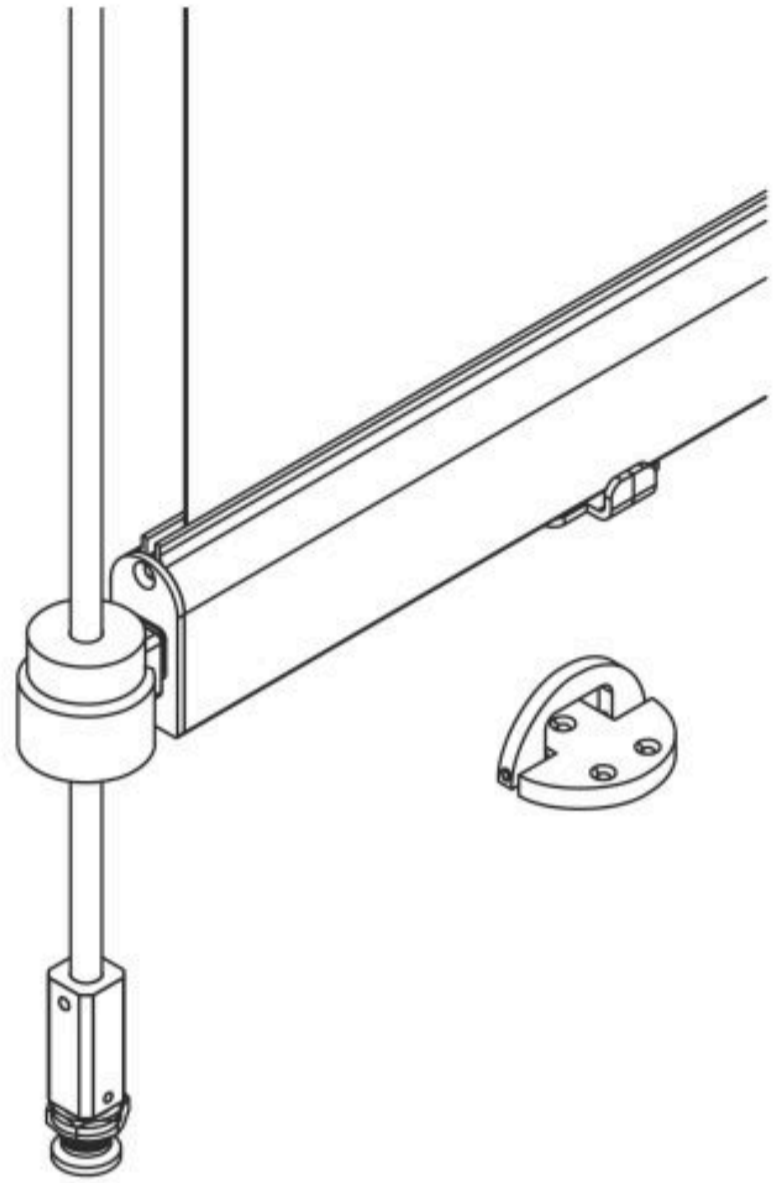
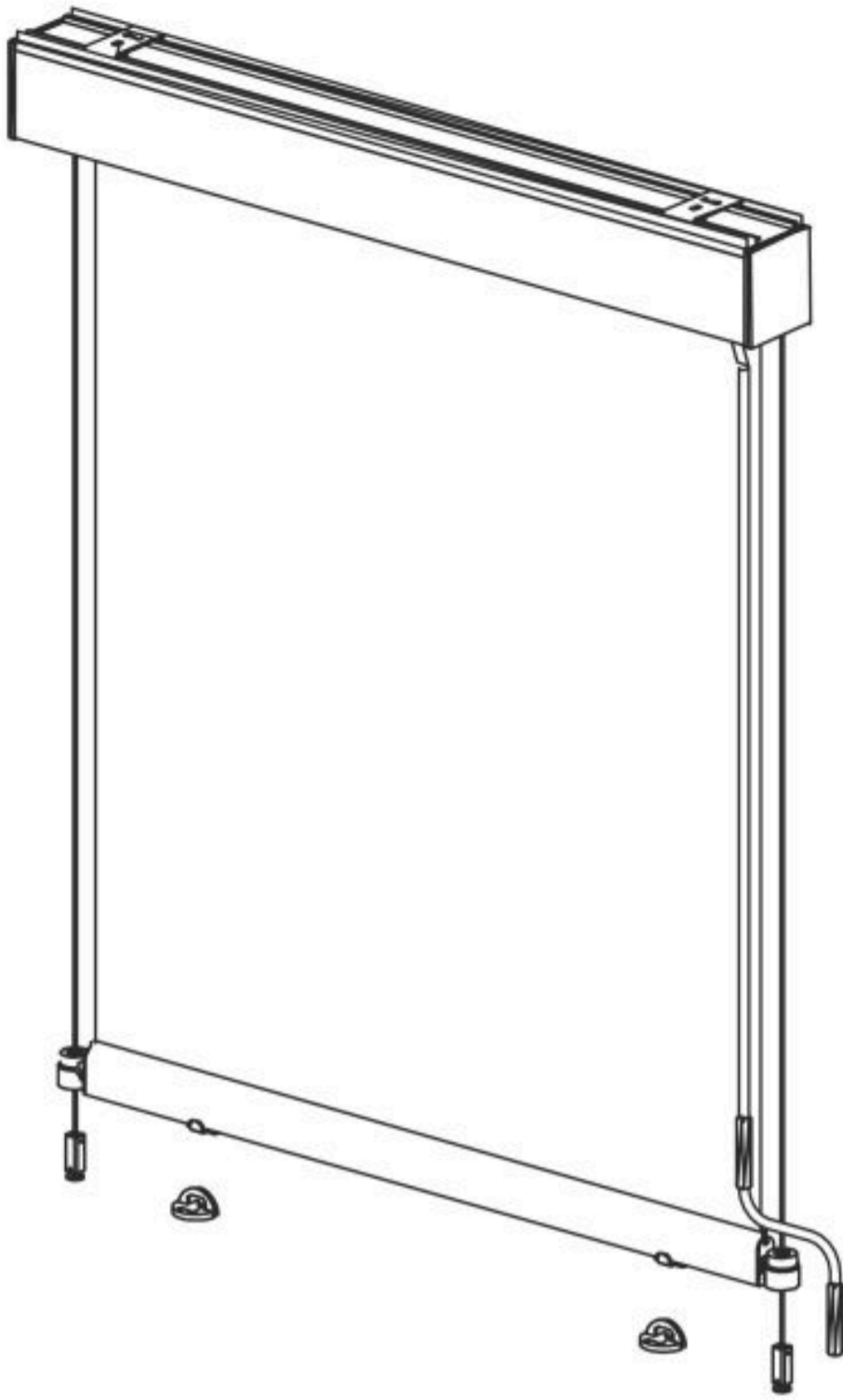
VENTAJAS

Fácil instalación piso, posee mecanismo de seguridad con imanes, los cuales funcionan como fusibles que se desprenden cuando hay fuertes corrientes de viento, evitando la ruptura de la lona.

FLEXIBOX I

GUIA	ACESSORIOS
<p>BARRA REDONDA 10 MM</p>	<ul style="list-style-type: none">- CEILING OR WALL FIXING- FRONT AND SIDE- LOWER WALL FIXING.- MAGNETIC BLOCK- WEIGHT BARS





FLEXIBOX J

GUIDE	ACCESSORIES
<p>GUAYA</p>	<ul style="list-style-type: none"> - CEILING OR WALL FIXING - FRONT AND SIDE - LOCKING WITH FLOOR FIXING - OVERWEIGHT BARS

ADVANTAGES

Easy installation on the floor, with hook-type locks that provide stability of the canvas against winds.

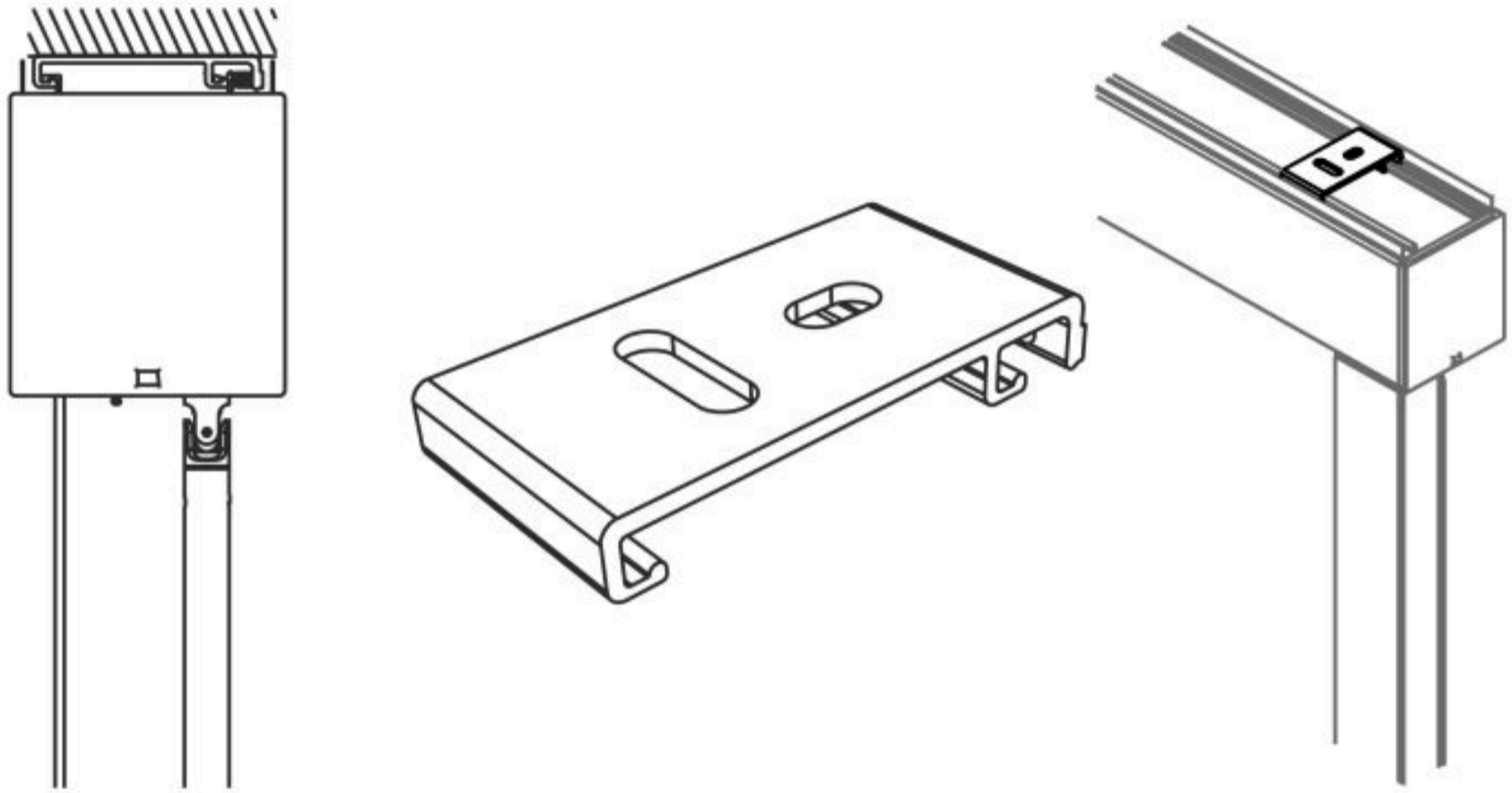
FLEXIBOX K

GUIDE	ACCESSORIES
<p>10 MM ROUND BAR</p>	<ul style="list-style-type: none"> - CEILING OR WALL FIXING - FRONT AND SIDE - LOCKING WITH FLOOR FIXING - OVERWEIGHT BARS



TYPES OF FASTENER

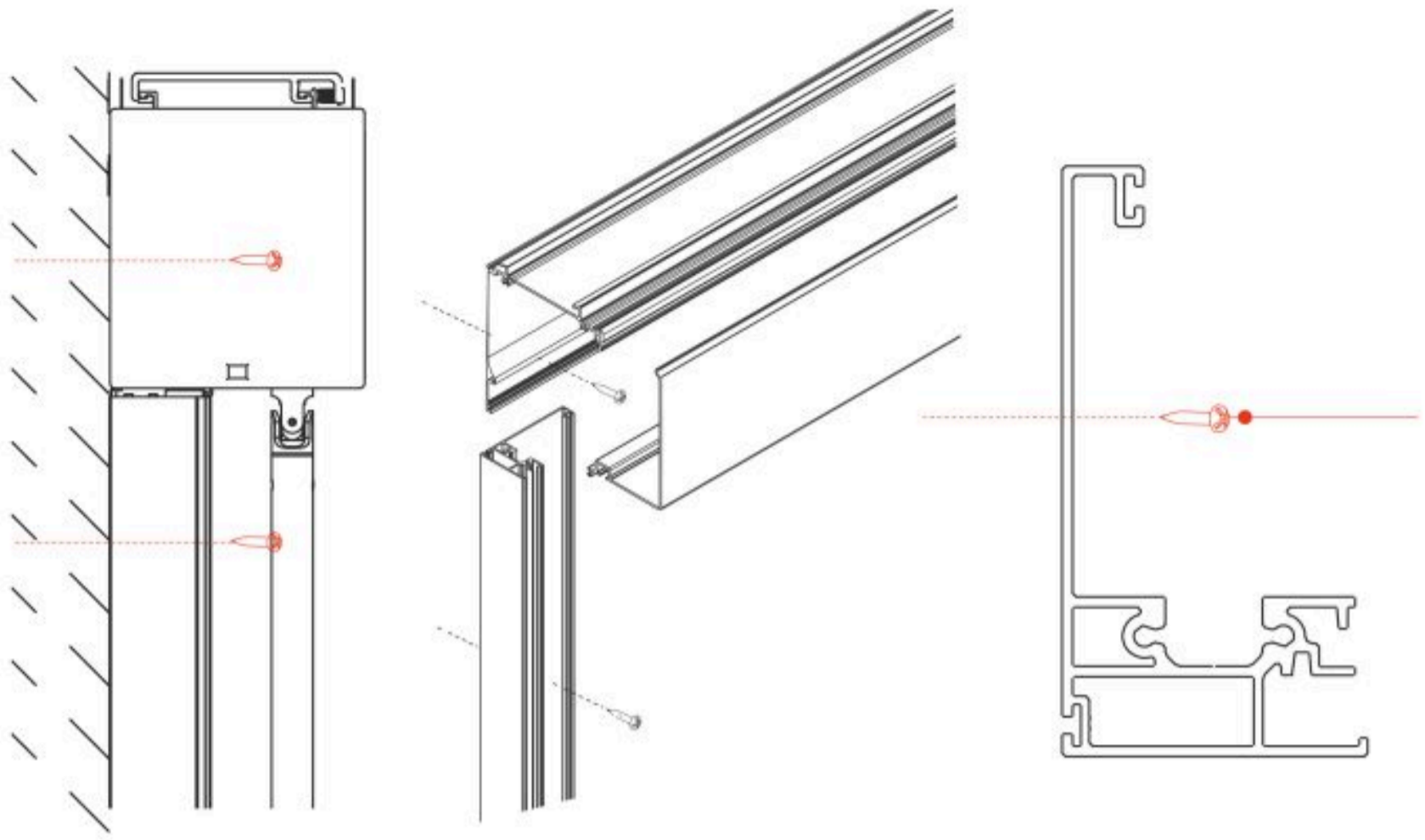
The Flexibox box can be fixed to the ceiling using the ceiling support kit, to the side of the Pergostar, Pergolam or other pergolas, to the front and side walls using the same side covers.

LOWER FIXING TO FACADE

Flexibox façade fixing support kit with anchoring according to façade type.

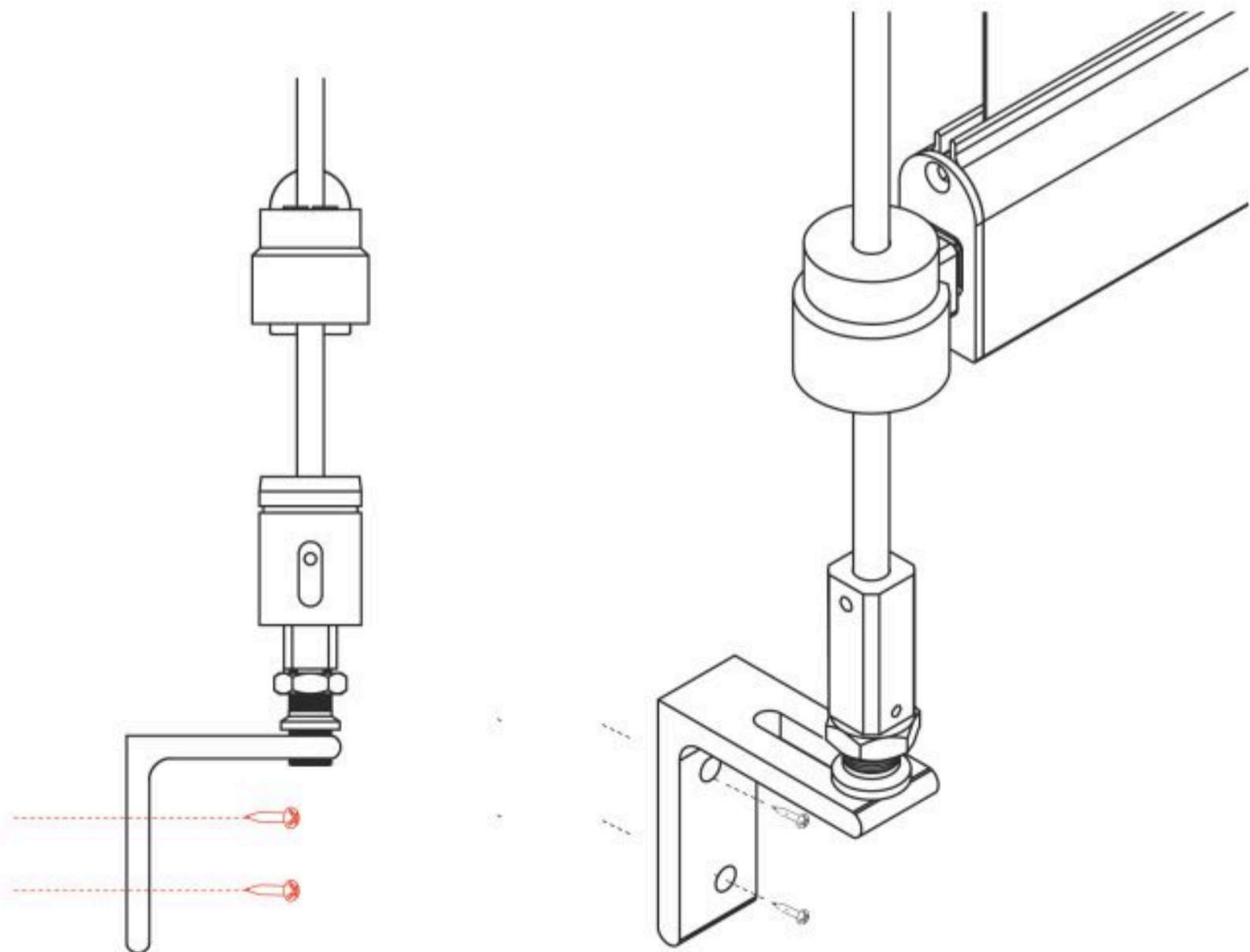
- Wood
- Concrete
- Metal

FRONTAL FIXATION

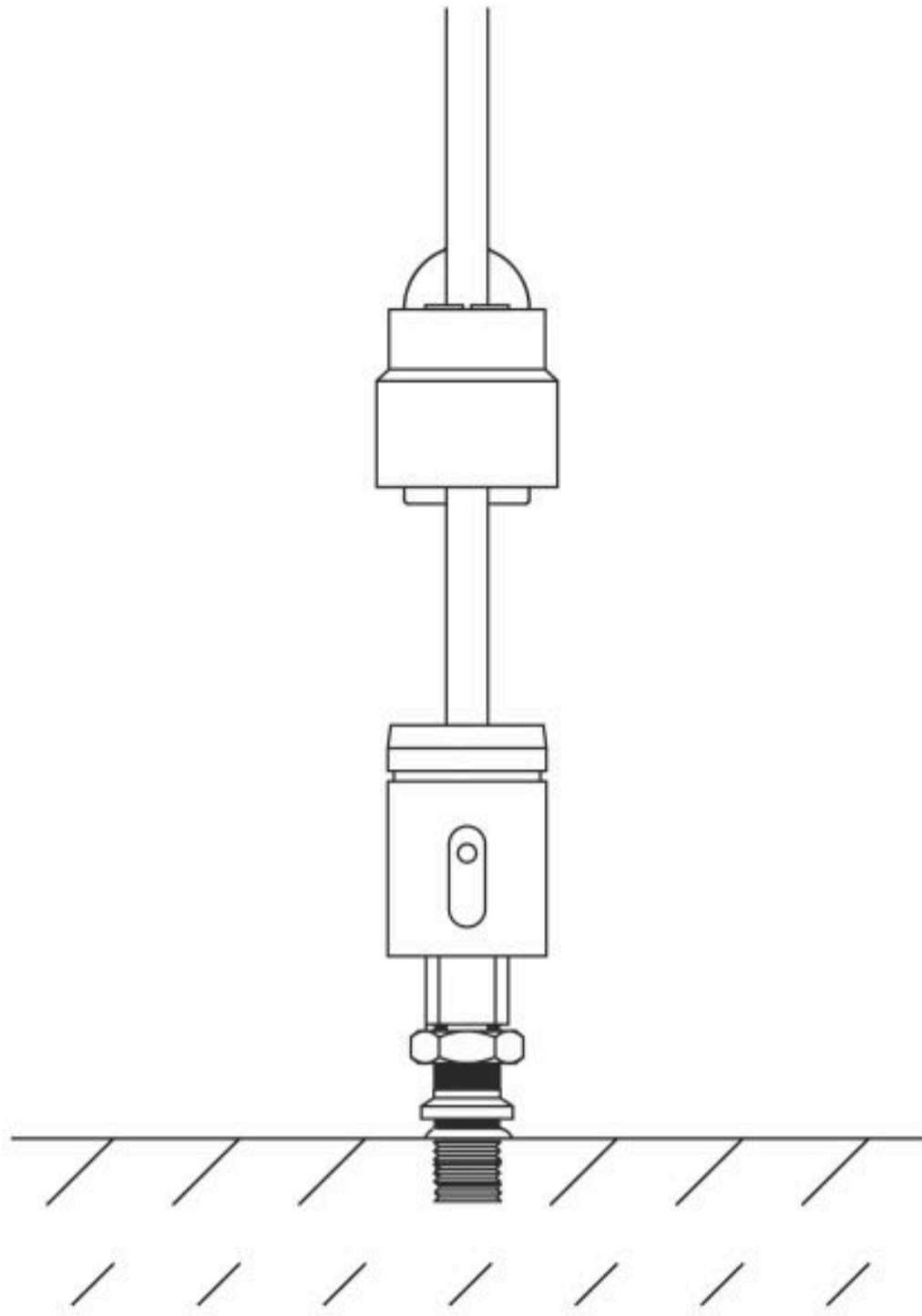


Machining guide profile for front fixing

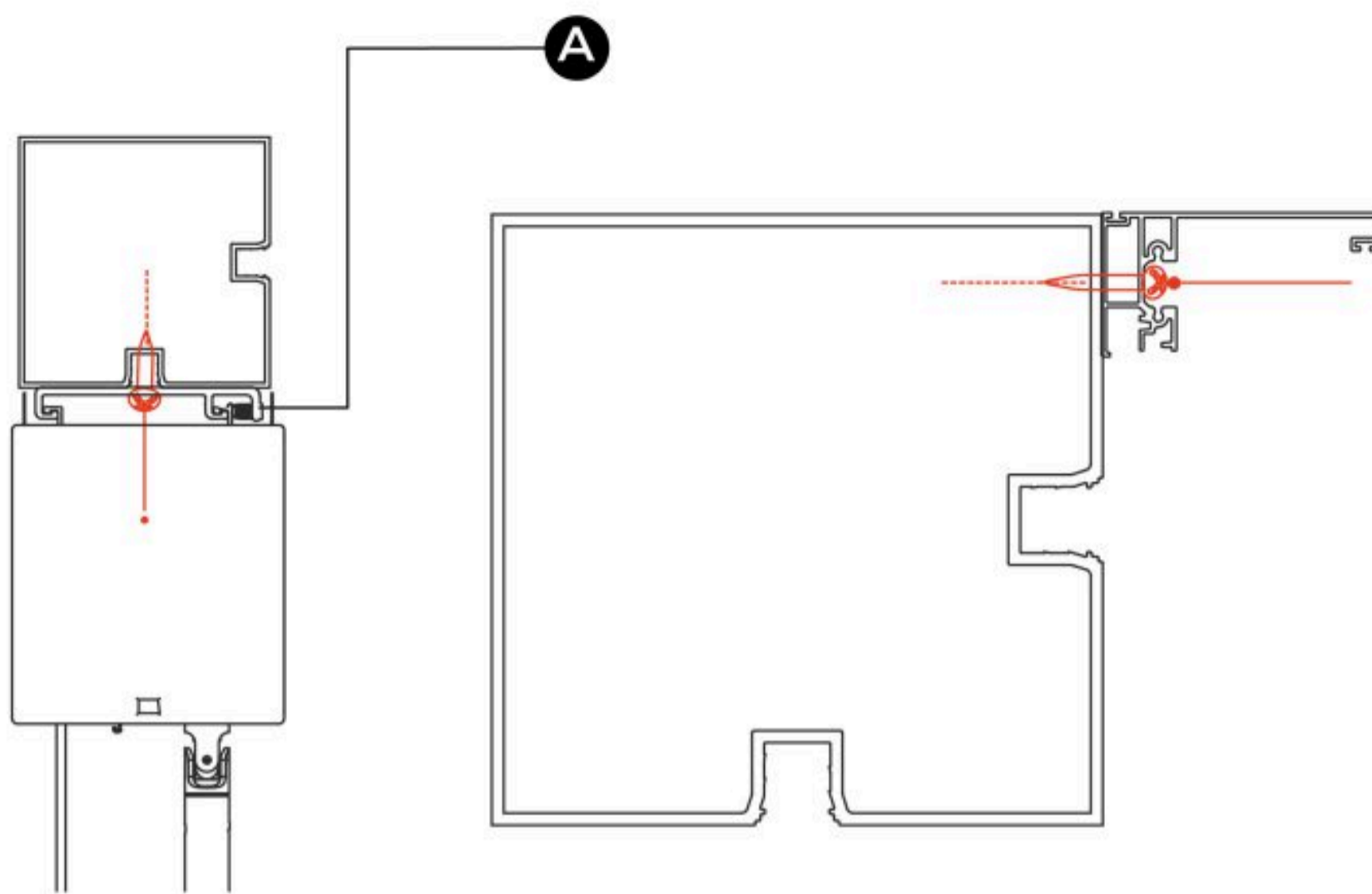
LOWER FIXING TO FACADE



FIXING TO FLOOR



FIXING TO PERGOLAS



Clausa ceiling support kit with threaded plate, machining of guide profile for fixing to Pergostar, Pergodom, and Pergolam columns.

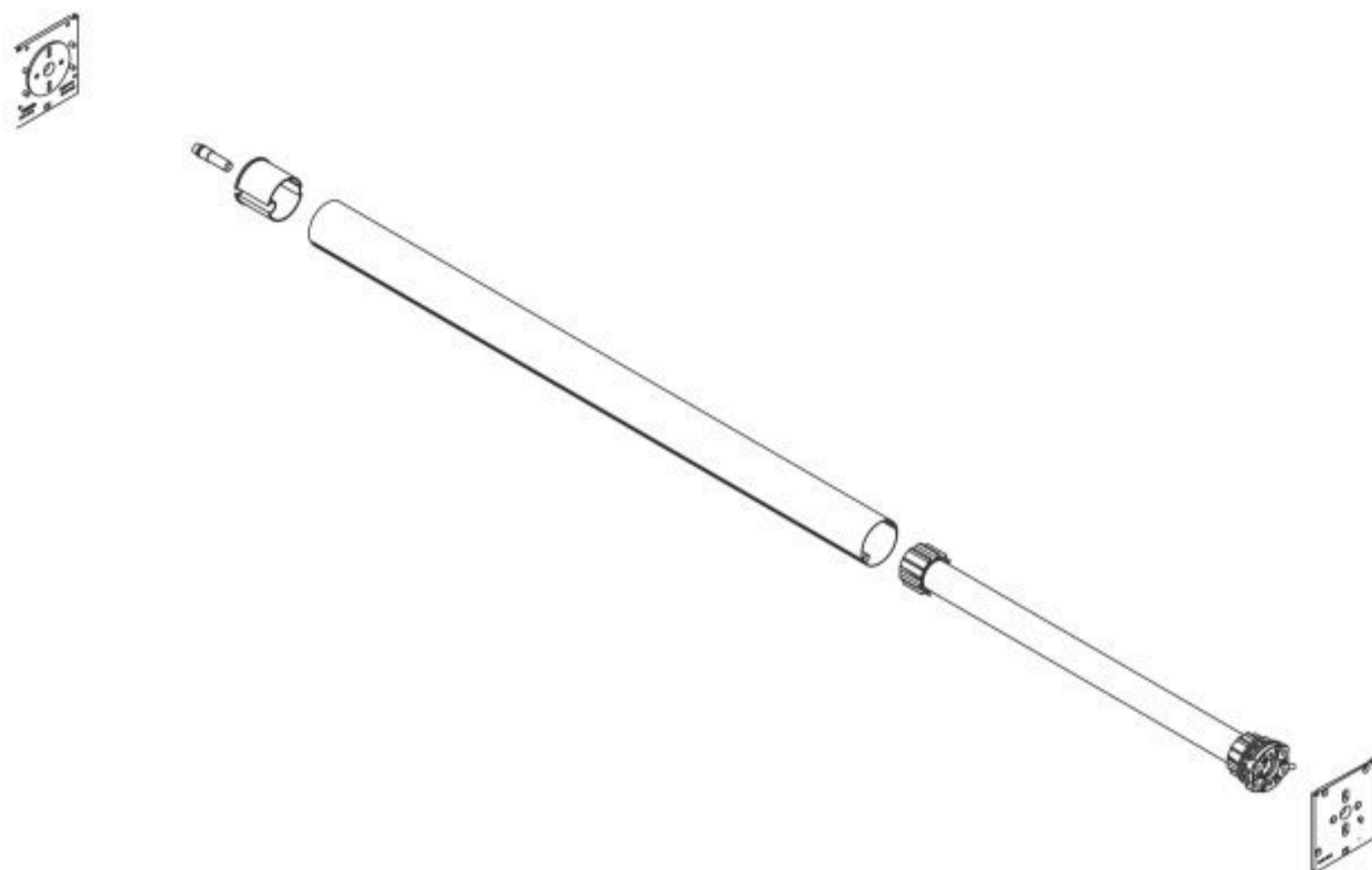
DRIVE

Flexibox has the option of having a motorized drive through a remote control or, failing that, through manual operation using a crank.

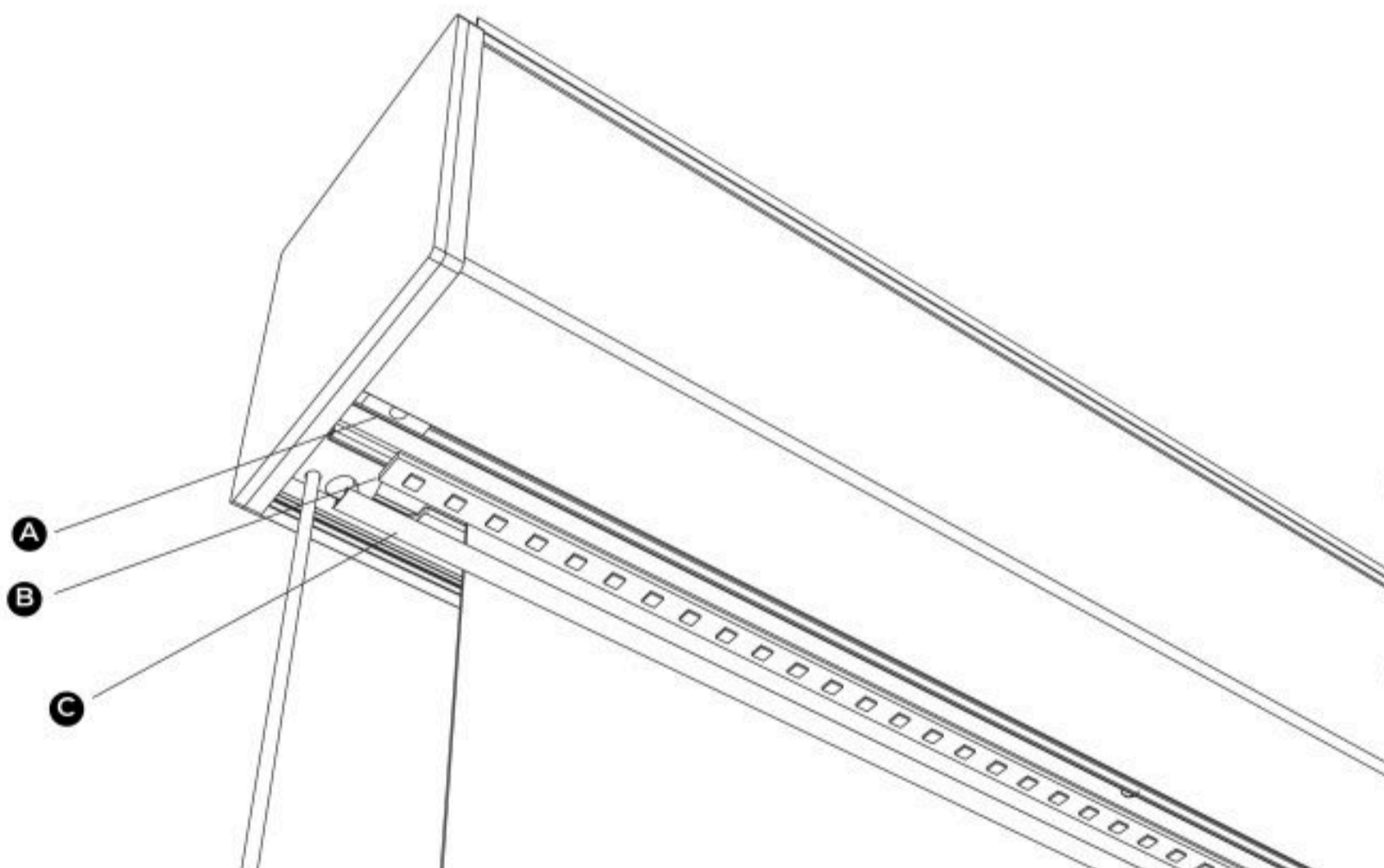
MANUAL OPERATION



MOTORIZED DRIVE



LIGHTNING



Flexibox features a sophisticated white or RGB lighting system located at the bottom of the box, providing a light curtain that can backlight the chosen textile.

A) Trunk lid pin

B) LED strip

C) Diffuser profile